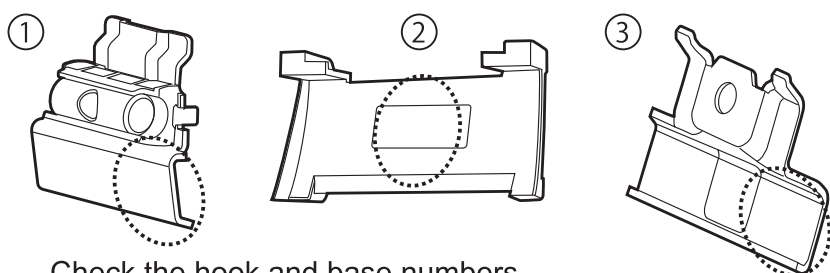
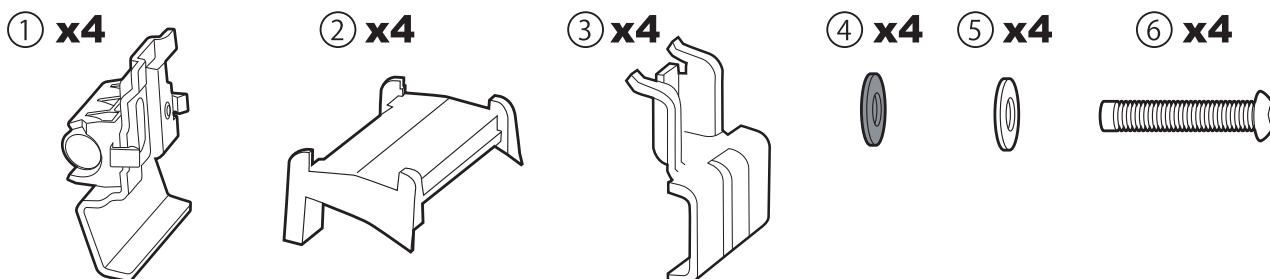


Please read both the Stay installation instructions and INNO common installation instructions (both included in Stay package).
Keep this installation instructions in a safe place.



Check the hook and base numbers.

	No.
①	811
②	A01
③	701



No.

- ① Inner hook
- ② Base
- ③ Outer hook
- ④ Washer
- ⑤ Nylon washer
- ⑥ Bolt

We do not accept any liability for accidents, damage or injury caused by incorrect installation or use, modification, or natural disaster.

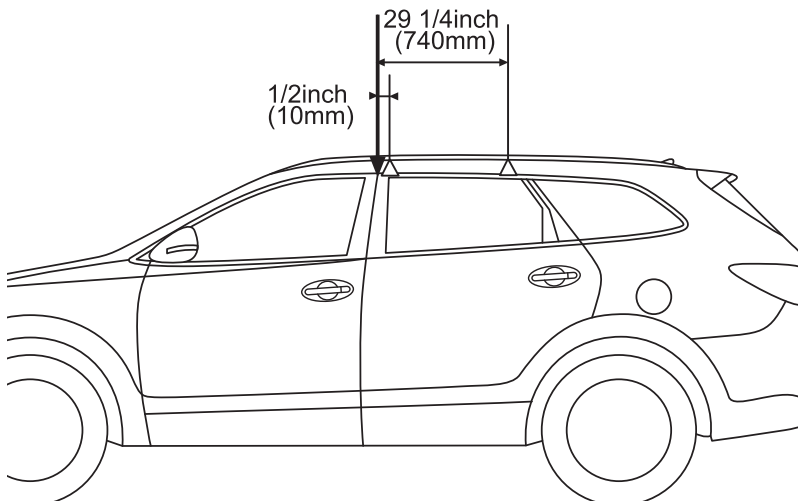
Mounting Method by Vehicle Type

TR166

Manufacturer	Model	Type	Year	Maximum loading capacity
HYUNDAI	SANTA FE		2013 -	140lbs (64kg)
	SANTA FE SPORT			

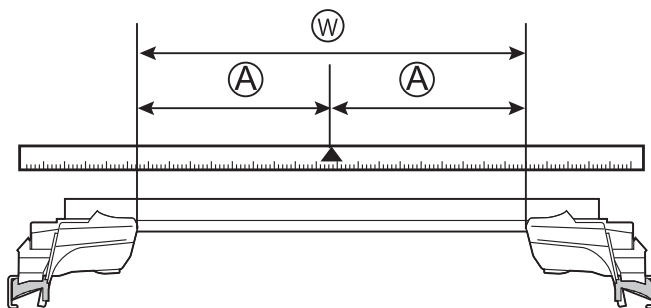
※ Load + Base rack + Attachments

Recommended mounting position



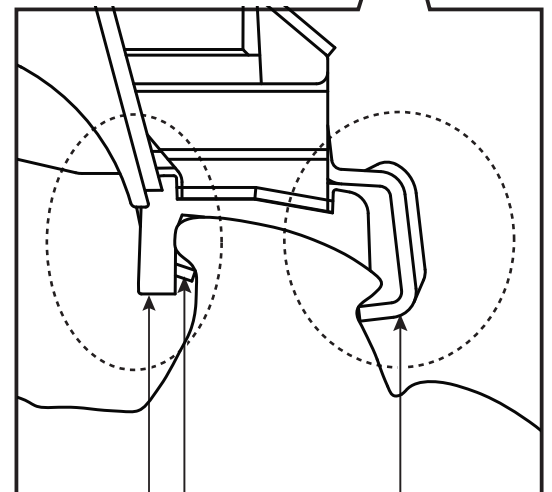
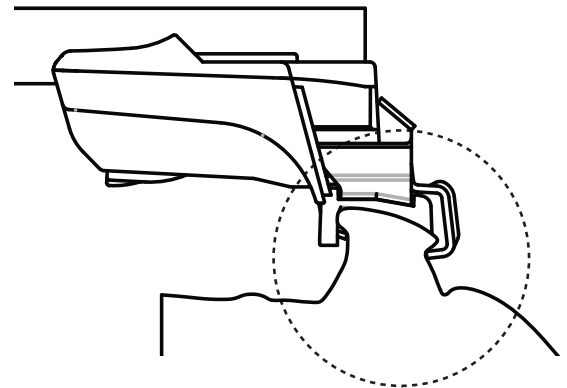
Stay interior dimensions

		Ⓜ	Ⓐ
Front		33 7/8inch (862mm)	17inch (431mm)
Rear	a	33 1/8inch (840mm)	16 1/2inch (420mm)



If not using the recommended mounting positions, follow the Stay installation instructions.

Detailed installation diagram



Base

Outer hook

EN : Inner hook

7110301TR166A2B-US