

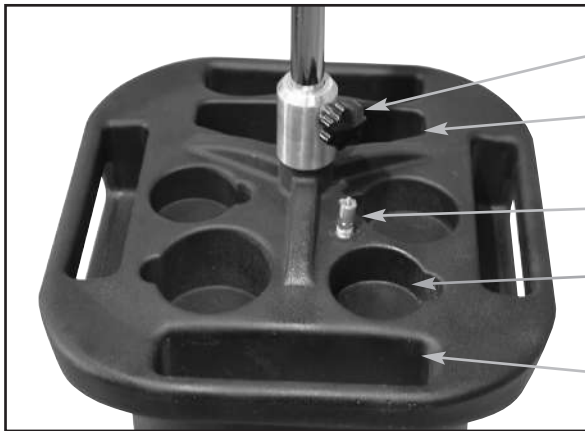


27-Gallon Self-Evacuating Portable Oil Drain

Model JDI-27DC
Owner's Manual



Assembly & Operating Instructions



Funnel height adjustment

Large tool tray for storage of filter wrenches and other tools

Pressure release safety valve

4 deep pockets for “cap-style” filter wrenches

Handles on all 4 sides for easy maneuverability.



Air regulator

Built-in sight glass shows fluid level in tank

6' discharge hose with non-drip spout and shut-off valve.

To Assemble:

1. Caster Assembly (See Fig. 1)

- a. Attach the casters to the drain using the bolts and washer provided. **(See Fig 1)**

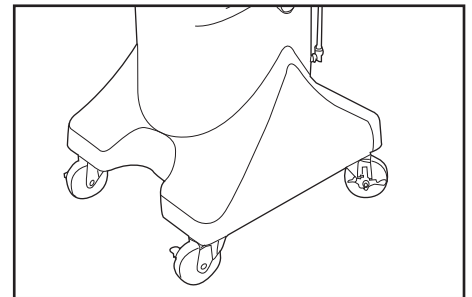


Fig. 1

2. Drain Tube

- a. Insert the drain tube into the neck of the drain and secure by threading the drain tube coupler to the threaded drain tube neck. Coupler needs to be snug - be careful not to over tighten. **(See Fig. 2)**

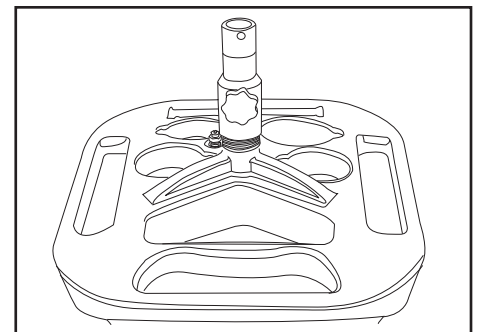


Fig. 2

Assembly & Operating Instructions

3. Funnel

- a. Attach the funnel coupler to the threaded neck on the funnel. **(See Fig. 3)**
- b. Insert the funnel into the swivel fitting on top of the drain tube. **(See Fig. 4)**
- c. Tighten set-screw to secure funnel.

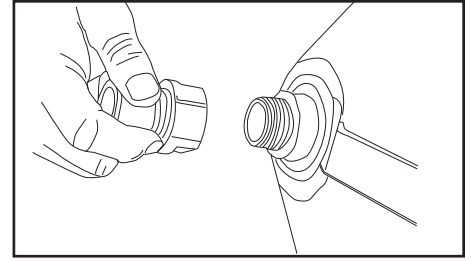


Fig. 3

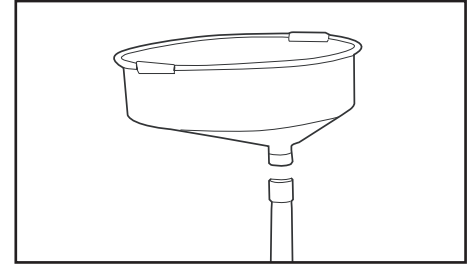


Fig. 4

4. Drain Hose

- a. Thread the hose assembly into the ball valve at the bottom of the tank. **(See Fig. 5)**

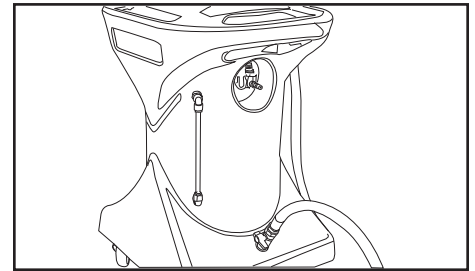


Fig. 5

4. Operation

- a. To raise or lower the funnel - loosen the funnel height adjustment knob and move the drain tube up or down to the desired height. **(See Fig 6)**
- b. Make sure the lower ball valve is closed before use.
- c. Periodically check the fluid level gauge to see the amount of recovered oil that is in the tank. Never fill the tank over the maximum level given by the level indicator. **(See Fig 7)**

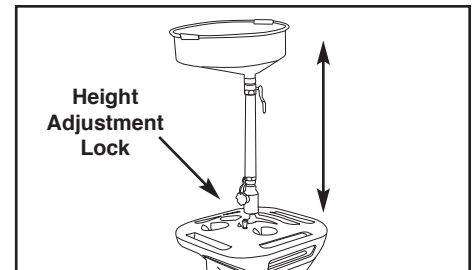


Fig. 6

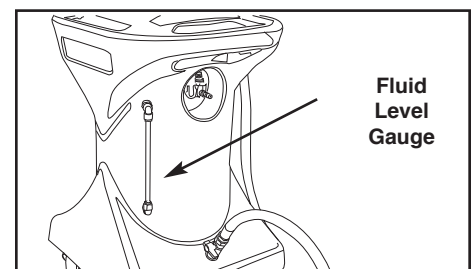


Fig. 7

Assembly & Operating Instructions

To Evacuate Oil From The Drain To The Storage Receptacle

Position the drain next to the storage receptacle. Secure the discharge hose to the used oil receptacle. (A secure hose is important when the discharge process begins).

Open the lower ball valve. (See Fig. 8.)

Connect the air supply and open the air control valve to begin the evacuation process. The auto-check valve will automatically seal during evacuation.

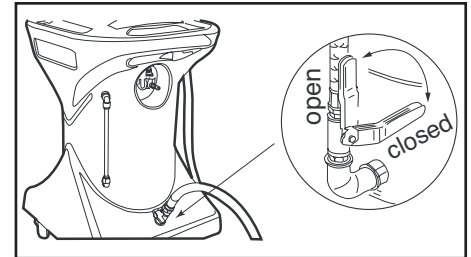


Fig. 8

Note: The air regulator is preset at 7 psi and cannot be adjusted. The air supply should never exceed 7 psi.

Note: A quick disconnect air coupler (not supplied) compatible with your shop air supply needs to be threaded into the 1/4" end of the air control valve.

When drain is completely empty, close the air control valve and disconnect the air supply. Close the lower valve. Disconnect the discharge hose.