



2021+ CHEVY TAHOE
ORDERING GUIDE

DGS CONTOUR CONSOLE

(DUTY GEAR SAVER)

The Chevy Tahoe (2021+) DGS Contour Console (Duty Gear Saver) has a dash contouring shape and will fit all necessary communication and lighting equipment and extra room for your duty weapon. Installation is quick and easy. No drilling required. Console comes with 20" of faceplates. This Tahoe Contour Console has been designed to accommodate our Mamba Mount (425-0150), Computer Side Mount (425-5542) with mounting locations for our Side Mounted Armrest (425-1849), and Rear Mounted, Side Hinged Armrest (425-0040).



425-6687

Length37.51" Height.....10.15"
 Width.....13.51" Weight22.75 lbs
 Rated Capacity20" of face plates

- DGS Design (extra room for duty weapon)
- (1) 12V Outlet
- (1) Magnetic Mic
- Relocates OEM USB/AUX and 110 Outlet
- Driver's Side Knockout for Mounting Speaker
- Passengers Side Fuse Block w/Cover/Access Panel



CONTOUR CONSOLE

With the development of the JOTTO DESK® Contour Console line in 2001, traditional console design was revolutionized. Rather than simply a box shoved between the seats and crammed with equipment, Jotto Desk evaluated the vehicle and designed consoles based upon what the vehicle would allow combined with the agencies needs. There have been many attempts to replicate our design, but none can compare.



425-6569

Length 37.60" Height..... 10.15"
 Width..... 13.15" Weight 25.5 lbs
 Rated Capacity 20" of face plates

IPB CONTOUR CONSOLE (INTEGRATED PRINTEK BROTHER)

The Chevy Tahoe (2021+) Integrated Printek Brother Contour Console (IPBCC) has an unique feature of this console design is that it allows for integration of a PrintekMobile I80 or Brother PJ6/7 printer and paper roll for easy access for the officer. Installation is quick and easy. No drilling required. Console comes with 14" of faceplates.

Length 37.60" Height..... 10.15"
 Width..... 13.15" Weight 27.05 lbs
 Rated Capacity 14" of face plates

425-6678



JOTTO DESK® NO HOLES MOUNT

Field proven over the past 20 years the Jotto Desk offers mobile professionals the best rugged laptop mount. Made of recyclable materials, our laptop workstation creates a proven mobile office for cars, trucks, vans, SUVs and Big Rigs. Jotto Desk is easy to install, easy to set-up and easy to use. From individuals to fleets this laptop mount will place your notebook at your fingertips when parked.



425-0020/4143



HEAVY DUTY NO HOLES MOUNT

- **Heavy Duty Motion Arm**
4.25" w x 0.75" thick x 9" long; black anodized
- **Upgraded Telescoping Rod**
1.75" x 6" steel with swing arm
- **Upgraded Stand**
2" x 15" .218 thickness, black; round stock
- **Height Variation**
15.875" to 19.875"
- **Upgraded Base Mount**
7 gauge steel, one-piece base



425-5693/4138

MAMBA MOUNT CONSOLE SIDE MOUNT

Jotto Desk is upgrading and simplifying your on-duty experience with the Mamba Mount, a console side mount designed to work in each zone; **Store & Drive, Park & Work,** and **Tactically Safe.**



425-0150/4138

BUILT TO FIT:

CONTOUR CONSOLE
425-6569



IPB CONTOUR CONSOLE
425-6678



D6S CONTOUR CONSOLE
425-6687



CONSOLE SIDE MOUNT

The JOTTO DESK® Console Side Mount (CSM) features No Holes Drilled installation on the passenger side of a compatible equipment console, preserving front passenger side leg room and improving performance. The CSM offers a straight arm which enables you to comfortably use and secure a laptop using the A-MOD or other desktop.

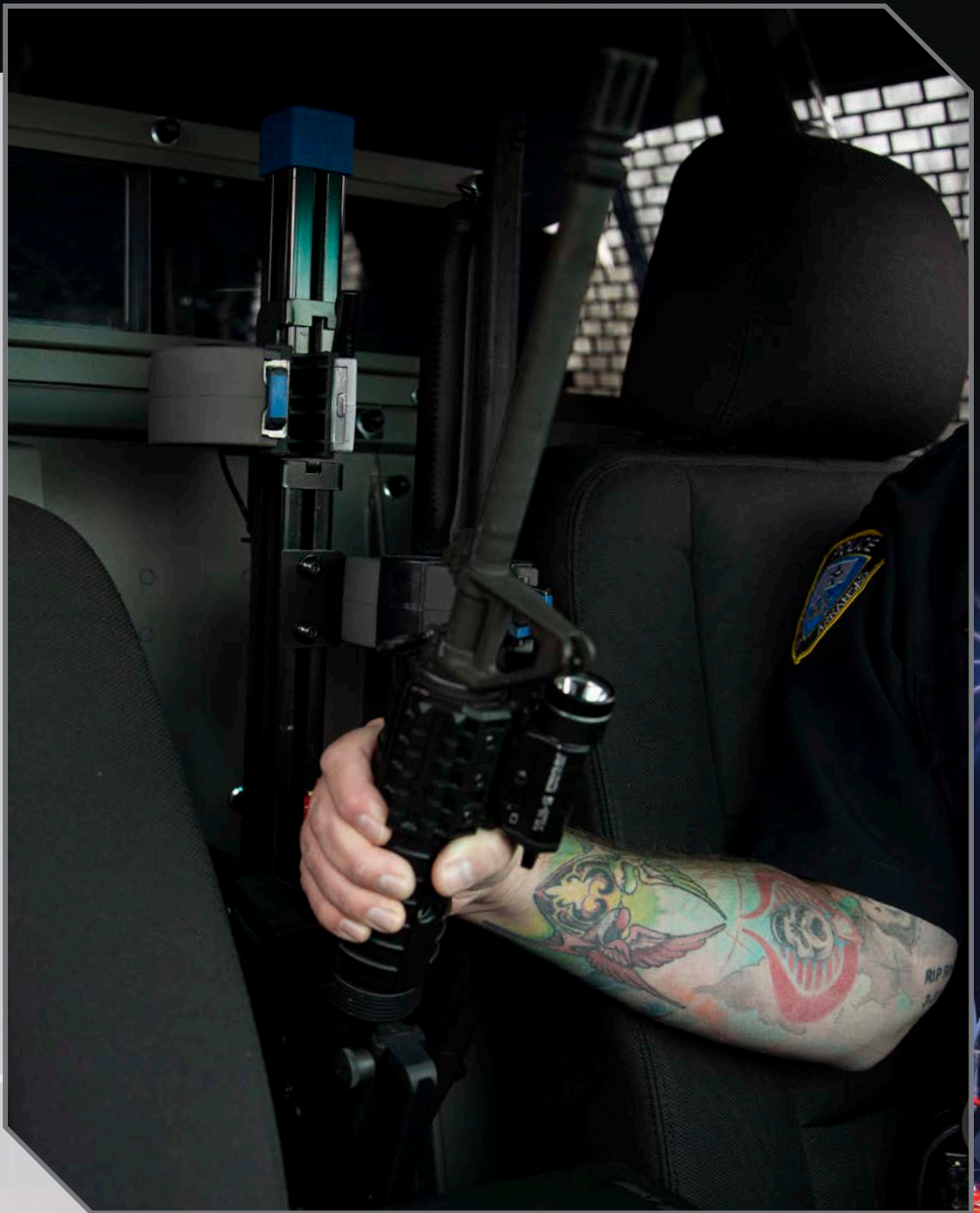


425-5542 / 4143

ZRT GUNS RACK

The ZRT Gun Racks are designed for any configuration you can imagine. Partition Mounted, Single Cell Mounted, Rear Seat Mounted or Free Standing, and Rear Hatch Mounted – Single Weapon or Dual.

- Eliminates 12V hot-wiring
- Cannot be defeated by magnets
- Zinc lock head design deforms instead of breaking
- Silicone inserts in lock head protect weapon from damage
- Quickly adjust AR side along the strong extruded backbone to accommodate various stocks
- Single or dual weapon
- Plug and play lock head/timer wiring
- Compact size - 1/3 smaller than other lock heads
- Innovative slide latch recesses inside housing when accessing firearm



475-2010

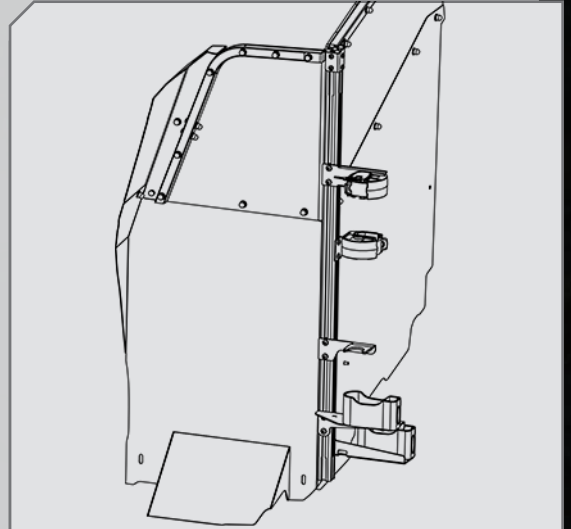
SMARTLOCK TECHNOLOGY



U.S. PATENT NO. 8,910,560 AND U.S. PATENT NO. 10,563,943

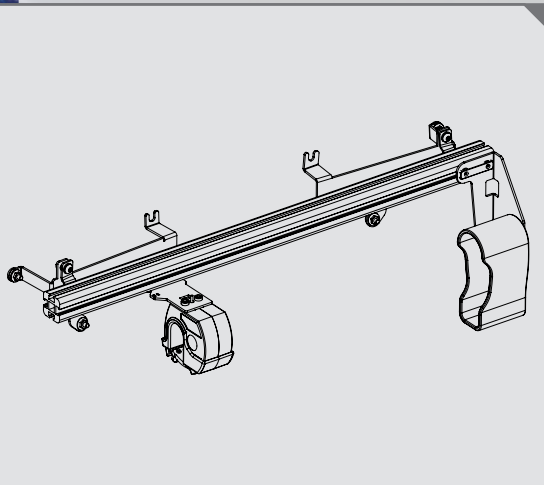


SINGLE CELL MOUNT



475-2049

REAR HATCH MOUNT



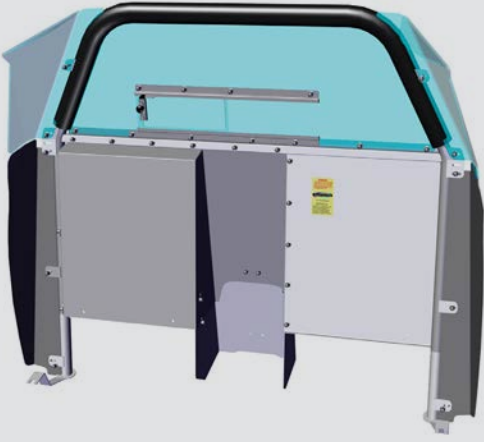
475-1788



Model #	Description	Location	Weapon	Style
475-2010	GR9, ZRT, AR BLM/870	Partition	Dual	Vertical
475-2063	GR9, ZRT, AR GL3-XL/870	Partition	Dual	Vertical
475-2015	GR9, ZRT, AR-BLM, V	Partition	Single (AR)	Vertical
475-2014	GR9, ZRT, 870, V	Partition	Single (870)	Vertical
475-2054	GR9, ZRT, AR-BLM	Partition	Dual (AR)	Vertical
475-2052	GR9, ZRT, AR SECURE-BLM/870	Partition	Dual (AR Secure)	Vertical
475-2053	GR9, ZRT, AR SECURE-BLM	Partition	Single (AR Secure)	Vertical
475-2049	GR7, ZRT, AR-BLM/870, TAHOE	Single Cell	Dual	Vertical
475-2050	GR7, ZRT, AR-BLM SIDEWAYS, TAHOE	Single Cell	Single (AR)	Vertical
475-1702	GR6, ZRT, AR-BLM/870, TAHOE 2021+	Rear Seat	Dual	Vertical
475-1788	GR4, ZRT, 870, TAHOE 2021+	Rear Hatch	Single (870)	Horizontal
475-1789	GR4, ZRT, AR-BLM, TAHOE 2021+	Rear Hatch	Single (AR)	Horizontal

VEHICLE PARTITIONS

Keep your officers and prisoners safe during transport with a Jotto Desk vehicle partition. Our system allows you to configure the partition to maximize the officer's workspace and our No Holes drilled installation is fast and easy.



425-1657

SPACE CREATOR BDRH VEHICLE PARTITIONS (BIDIRECTIONAL RECESSED HOUSING)



425-1675

Space Creator Vehicle Partitions transform previously unusable space to create additional leg room behind the front passenger seat. The BDRH creates unparalleled leg room for even large prisoners while maintaining excellent use of officer seat for complete comfort. (US Patent No. 8,690,216)



UDRH VEHICLE PARTITION (UNIDIRECTIONAL RECESSED HOUSING)



425-1677

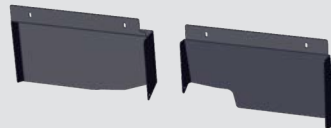


425-1678

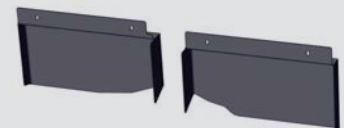


HSEP (HIGH SECURITY EXTENSION PANEL)

Enhance partition security by preventing rear passengers from reaching into the front of the vehicle under seats with a two-piece, steel High Security Extension Panel.



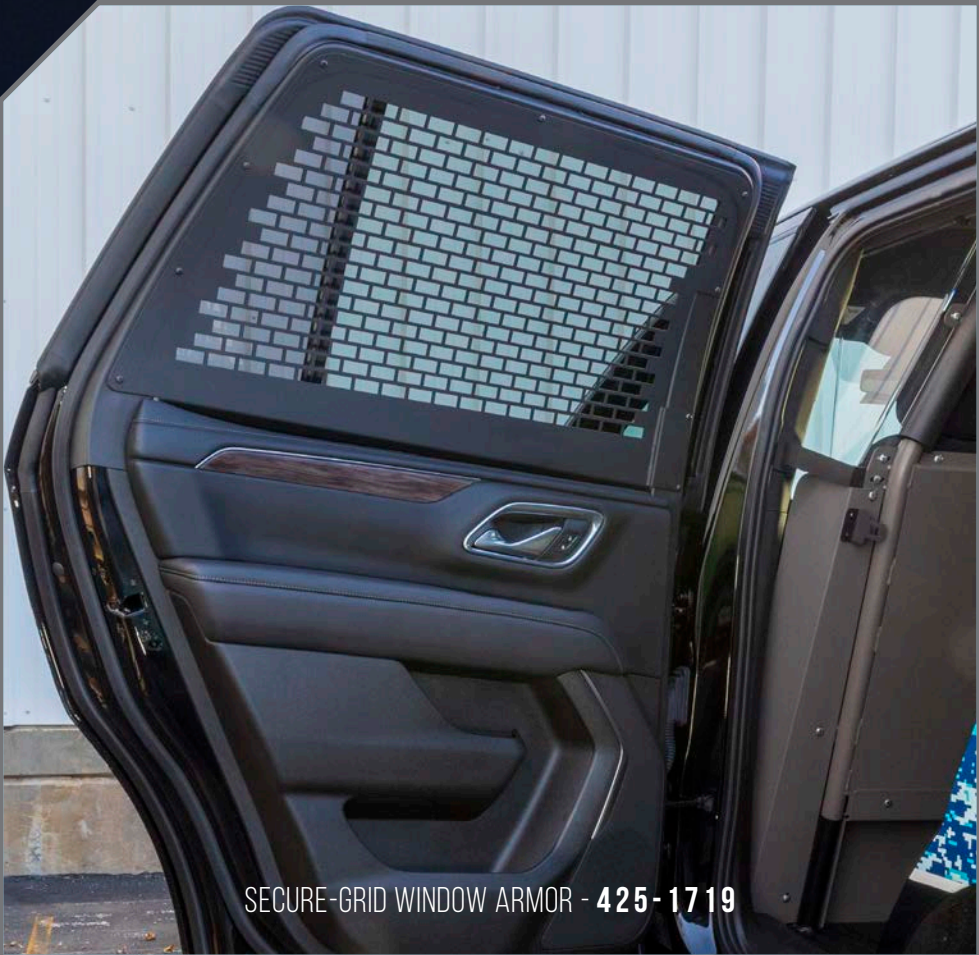
425-1674 (FITS BDRH)



425-1679 (FITS UDRH)

WINDOW ARMOR & DOOR PANELS

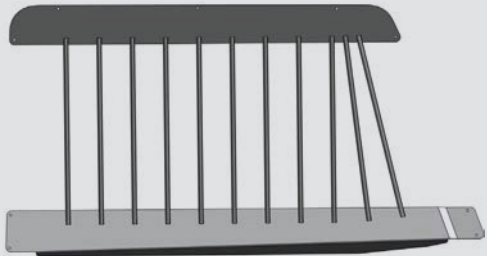
Protect your vehicles while transporting prisoners with Jotto Desk's line of Window Armor and Door Panels. The Window Armor is easy to install, prevents side windows from being kicked out and nobody can reach in or out of the prisoner compartment. Door Panels protect door mechanisms, prohibit contraband from being hidden, and are very easy to clean.



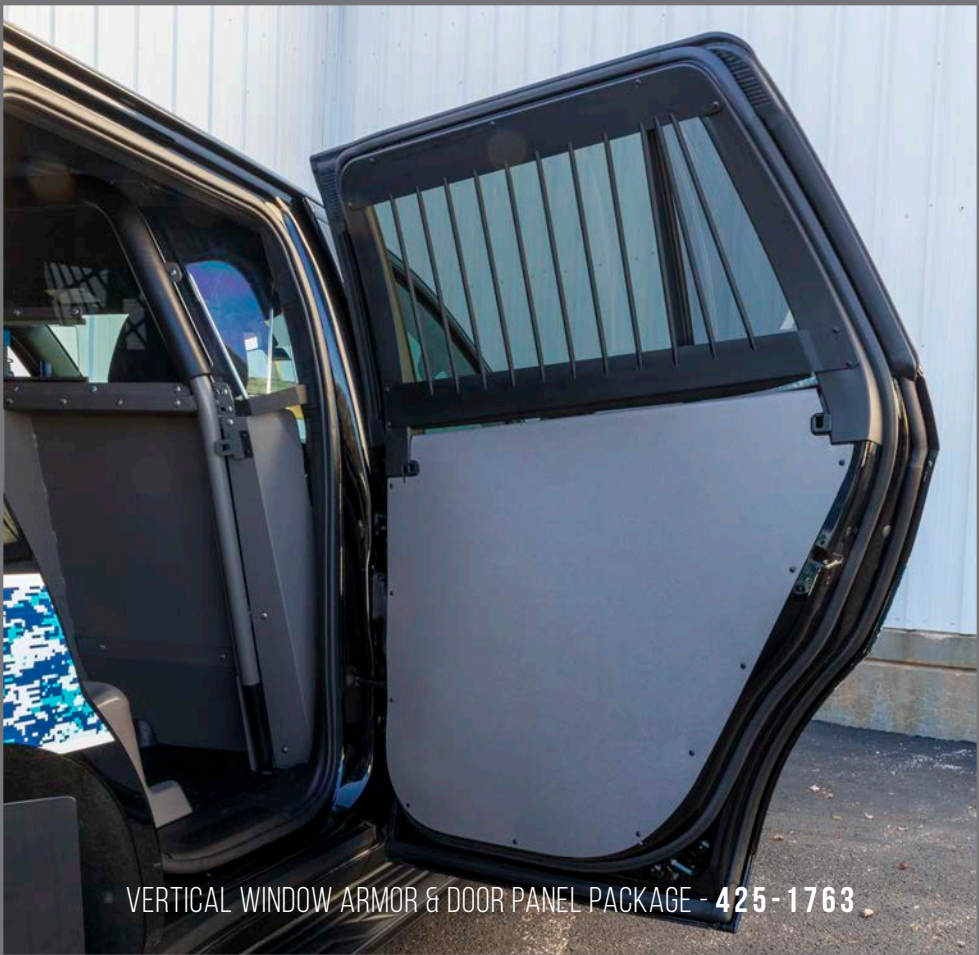
SECURE-GRID WINDOW ARMOR - 425-1719



SECURE GRID WINDOW ARMOR - 425-1719



VERTICAL WINDOW ARMOR - 425-1718



VERTICAL WINDOW ARMOR & DOOR PANEL PACKAGE - 425-1763



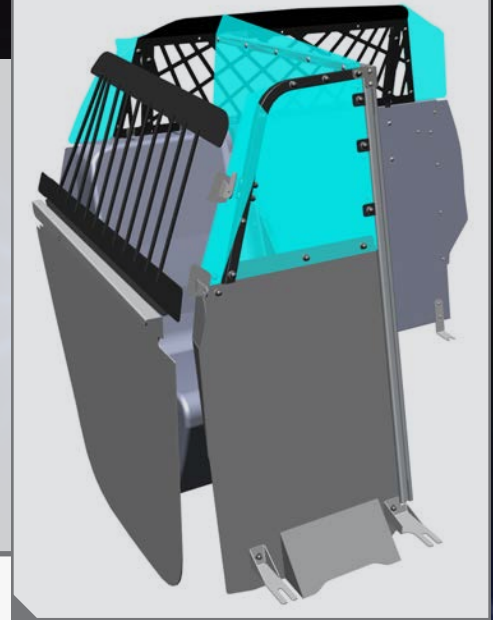
ABS DOOR PANELS - 425-1720

425-1711

SINGLE CELL

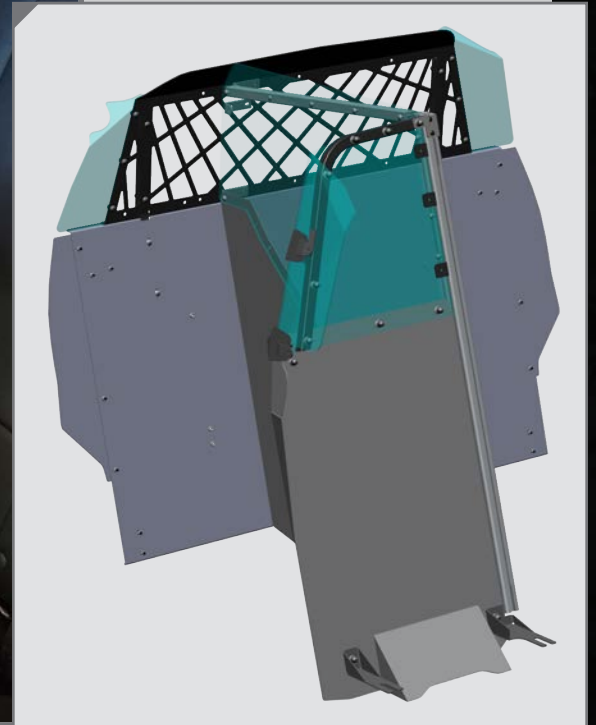
The Jotto Desk Single Cell includes the Front Divider, Center Divider, Rear Cargo Barrier (CB4), Passenger Side Window Armor, Passenger Side Door Panels, and ABS Seat Cover. Jotto Desk realized the extreme challenge facing agencies concerning the rear seat area of SUVs. The bottom 2/3 of the Front Divider is powder-coated steel with a built-in HSEP (High Security Extension Panel) for added prisoner foot room. We wanted to give the officer more observation possibilities of the prisoner, so the center divider has been updated. The upper polycarbonate portion sweeps down to allow for prisoner viewing/interaction, but does not diminish the driver's view out the rearview mirror. In fact, the visibility for an officer is nothing short of amazing.

Keep your cargo where it belongs with the included the CB4 Prisoner Cargo Barrier. This design secures behind the second row of seats in the (2021+) Chevy Tahoe PPV utilizing OEM mounting points. No cutting of trim is required and very minimal drilling is necessary. NOTE: CB4 Only Comes With Secure Grid



SINGLE CELL LITE

The Jotto Desk® Single Cell includes the Front Divider, Center Divider and SCA Compliant Rear Cargo Barrier (CB4). The bottom 2/3 of the front divider and center divider is powder coated steel with a HSEP for added prisoner foot room. We wanted to give officers a greater viewing angle of prisoners being transported, so the design was tweaked to increase the poly and reduce the steel.



475-1712

ABS SEATING

Jotto Desk realized the extreme challenge facing agencies in regard to the rear seat area of SUVs. The Jotto Desk solution, provides a complete SUV prisoner transport solution. The Replacement ABS Bio-Seat comes with all the hardware need to remove the OEM seat and replace with a biohazard and contraband control system for easier transportation and clean up. Along with replacing the OEM seat, Jotto Desk is offering a Door Side (DS) Seat Belt System.

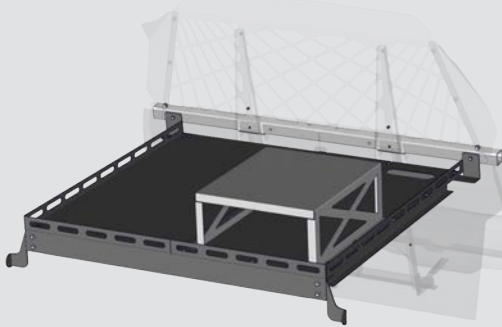


475-1743

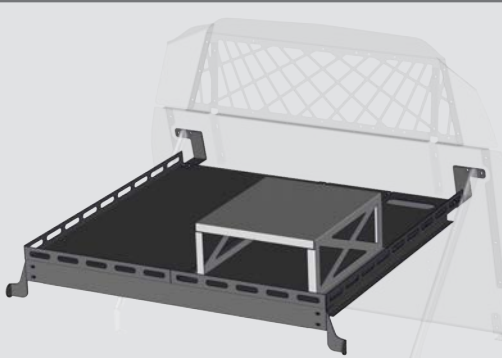


CARGO COVER/ EQUIPMENT TRAY

Introducing the Jotto Desk® 2021+ Chevy Tahoe Cargo Cover. Designed to provide a solid horizontal divider in the vehicle. The upper/top section creates an area for mounting expensive communication, in-car video, and lighting equipment that uninstalls easily for service. Retaining the lower section for the individual officer or deputy's day-to-day gear. Whether a Rubbermaid tote with crime scene tape, rubber gloves, and drug testing supplies or more mission-critical items like a sniper rifle, Level IIIA SWAT vest, and Kevlar Helmet. The Jotto Desk® 2021+ Chevy Tahoe Cargo Cover offers protection, first by obscuring from observation what is stored or housed underneath and secondly by relying on the strength of 14 gauge steel to keep anyone from stealing what is stored beneath the Cargo Cover.



425-1850 (ATTACHES TO SRS)

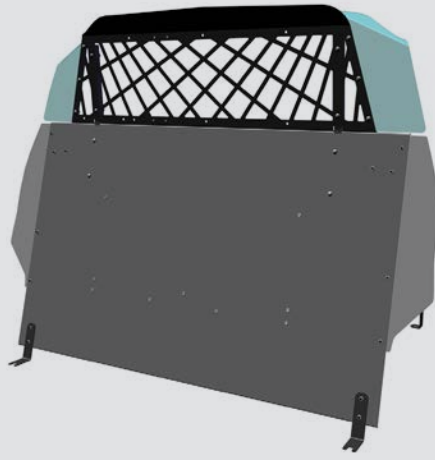


425-1851 (ATTACHES TO CB4)

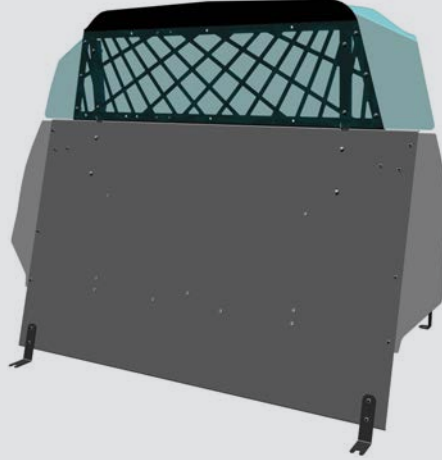


CARGO BARRIERS

Separate the prisoner and the rear cargo areas securely with Jotto Desk's line of Cargo Barriers. Keep prisoners in their area and in case of a crash, keep your cargo where it belongs with the CB4 Prisoner Cargo Barrier. This design secures behind the second row of seats utilizing OEM mounting points, installs quickly and requires no vehicle modifications.



475-1682

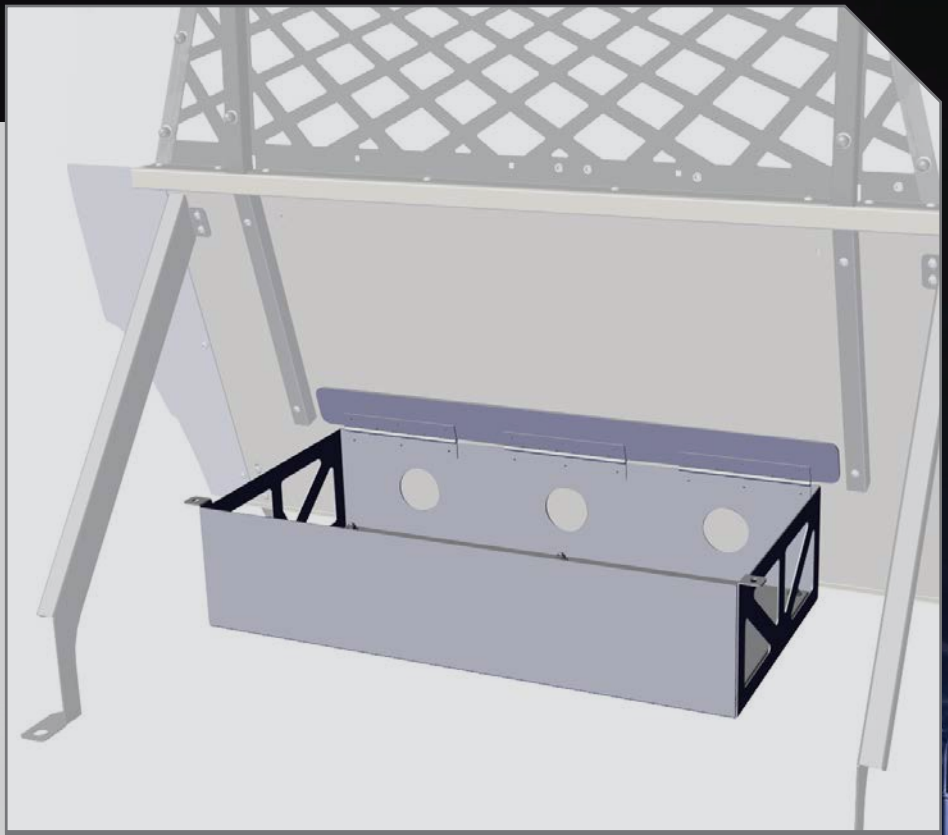


475-1709



CARGO BARRIER EQUIPMENT TRAY

The Cargo Barrier Equipment Tray provides a secure location to mount communications, lighting, and other equipment in the Tahoe cargo area. The Equipment Tray has been designed to mount directly to Jotto Desk Cargo Barriers (475-1682 & 475-1709) and the Cargo Barrier has been manufactured with PEM hardware to make installation a breeze. The steel construction of the equipment tray - helps protect the mounted equipment from damage due to unsecured items flying about when the vehicle is in motion. This solution makes initial upfits easy, as equipment can be bench mounted to the Removable Shelf and then mounted to the Equipment Tray. When servicing the mounted equipment - instead of doing everything in the confines of the cargo area, simply pull the Removable Shelf from the Equipment Tray and take into an air-conditioned room for repairs/replacement.



475-1709





2021+ DURANGO PURSUIT
ORDERING GUIDE

DGS CONTOUR CONSOLE

(DUTY GEAR SAVER)

The Dodge Durango (2021+) DGS Contour Console (Duty Gear Saver) has a dash contouring shape and will fit all necessary communication and lighting equipment and extra room for your duty weapon. The installation of the Durango DGS Contour Console is quick and simple, utilizing OEM mounting points under the factory sensor cover plate. No drilling required. Console comes with 12" (6" top / 6" bottom) of faceplates. This Durango DGS Contour Console has been designed to accommodate our Mamba Mount (425-0150), Computer Side Mount (425-5542) with mounting locations for our Side Mounted Armrest (425-1849), and Tall Armrest (425-0029).



425-6706

Rated Capacity	16" of face plates
Length	36.06"
Width	16.28"
Height	14.61"
Weight	20.05 lbs

- 16" of Equipment Mounting Space
- DGS Design (extra room for duty weapon)
- Max Depth Design (extra room for deep equipment)



CONTOUR CONSOLE

The Dodge Durango PPV (2021+) Contour Console has a dash contouring shape and will mount up to 20" of radio, siren, and communications equipment. Simply replace the factory console in minutes using top-down installation. No drilling required. Each console comes standard with Console and 20" of Face Plates.



425-6680

Rated Capacity	22" of face plates
Length	26.77"
Width.....	9.90"
Height.....	11.03"
Depth	(front to rear) 6.83" - 4.37"
Weight	15.20 lbs.

IPB CONTOUR CONSOLE (INTEGRATED PRINTEK BROTHER)

This Contour Console design integrates a Pentax/Brother PocketJet 6/7 Printer and paper roll for easy access for the officer. Installation is quick and easy. No drilling required.



425-6677

Rated Capacity	14" of face plates	
Length	27.88" Weight	17.35 lbs.
Width.....	9.11" Depth	6.15" - 3.72"
Height.....	11.75"	(front to rear)

MAMBA MOUNT CONSOLE SIDE MOUNT

Jotto Desk™ is upgrading and simplifying your on-duty experience with the Mamba Mount, a console side mount designed to work in each zone; Store & Drive, Park & Work, and Tactically Safe.



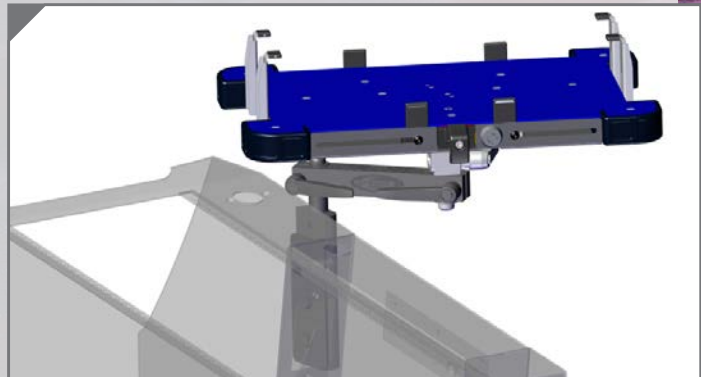
425-0028/4138

The Mamba Mount's 12" Extruded Motion Arm smoothly rotates from the driver to the passenger side with minimal force, no levers or brackets needed. You can quickly move and reset the Mamba Mount from the home position to a comfortable working position. Pull the rear Indexing Plunger to release the laptop and slide it forward to a working position. When finished, simply reverse the process, pull the front indexing plunger and slide the laptop back to the home or store position. At full extension, the desktop tilts and swivels for the optimal working position. The Mamba Mount easily attaches to the majority of Jotto Desk™ Contour Consoles and any other standard console with side mount fittings and fits all Jotto Desk™ A-MOD Desktops.



CONSOLE SIDE MOUNT

The JOTTO DESK™ Console Side Mount (CSM) features No Holes Drilled installation on the passenger side of a compatible equipment console, preserving front passenger side leg room and improving performance. The CSM offers a straight arm which enables you to comfortably use and secure a laptop using the A-MOD or other desktop.



425-5542/4143

JOTTO DESK® NO HOLES MOUNT

Field-proven over 20 years, the Jotto Desk® offers mobile professionals the best laptop mount for cars, trucks, vans, and SUVs.

- **Articulated Arm**
1" square x 13.375" solid aluminum; black anodized
- **Telescoping Rod**
7/8" x 10" steel with 5/8" turned swing arm rest
- **Stand**
1" x 10" 11 gauge steel, black; round stock
- **Height Variation**
18.75" - 23"
- **Base Mount**
3/16" gauge master, one-piece base with tapped 7/8" mounting post



425-5600/4143



A-MOD (ADJUSTABLE-MOBILE OPERATIONS DESKTOP)

450-4147 A-MOD w/GK PLATE & SHORT CLAMPS

Width.....11.25" to 13.625"
Depth9.25" to 11" (with extensions)
Clamp Height.....0.5" to 1.10" (Short Clamp)
Weight:4.65 lbs (5.65 lbs with GK Plate)



450-4144 A-MOD XL w/GK PLATE & SHORT CLAMPS

Width.....13.5" to 16"
Depth9.25" to 11" (with extensions)
Clamp Height.....0.5" to 1.10" (Short Clamp)
Weight:5.1 lbs (6.1lbs with GK Plate)



450-4153 A-MOD XL w/GK PLATE & TALL CLAMPS

Width.....13.5" to 16"
Depth9.25" to 11" (with extensions)
Clamp Height.....1" to 2.25" (Tall Clamp)
Weight:5.1 lbs (6.1lbs with GK Plate)



A-MOD w/GK PLATE & TALL CLAMPS 450-4143

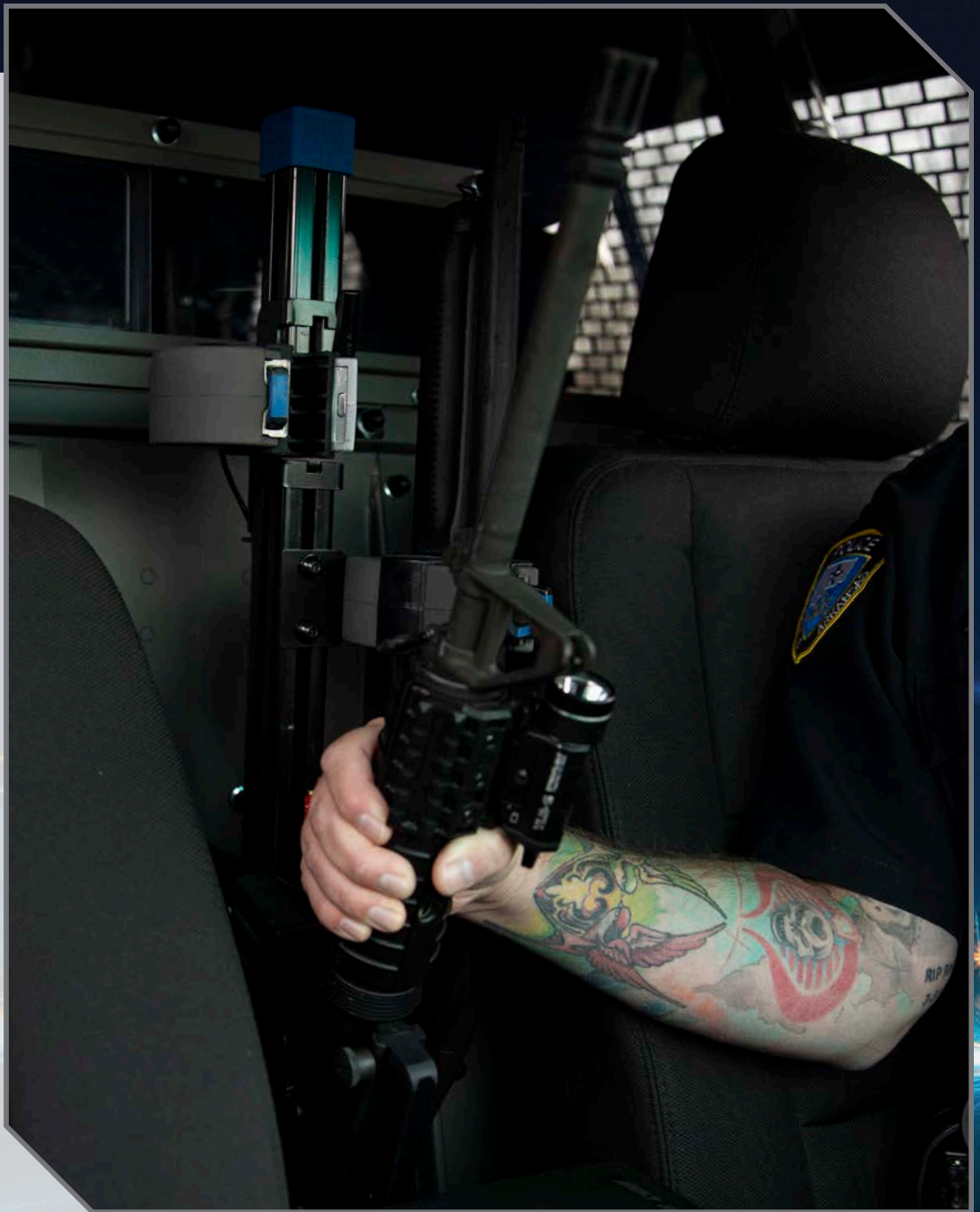
Width.....11.25" to 13.625" Clamp Height.....1" to 2.25" (Tall Clamp)
Depth9.25" to 11" (with extensions) Weight:4.65 lbs. (5.65 lbs with GK Plate)

The A-MOD is engineered to be lightweight, yet rugged. Manufactured from steel, high strength aluminum, and composite materials where it makes sense. It's not real security if a laptop can be simply be stolen by jimmying the lock or bending the clamps. The A-MOD features a high-security solid brass tubular lock and case-hardened steel clamps.

ZRT GUN RACK

The ZRT Gun Racks are designed for any configuration you can imagine. Partition Mounted, Single Cell Mounted, Rear Seat Mounted or Free Standing, and Rear Hatch Mounted – Single Weapon or Dual.

- Eliminates 12V hot-wiring
- Cannot be defeated by magnets
- Zinc lock head design deforms instead of breaking
- Silicone inserts in lock head
- Protect weapon from damage
- Quickly adjust AR side along the strong extruded backbone to accommodate various stocks
- Single or dual weapon
- Plug and play lock head/timer wiring
- Compact size - 1/3 smaller than other lock heads
- Innovative slide latch
- Recesses inside housing
- When accessing firearm



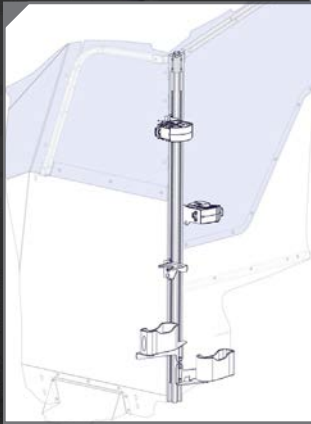
SMARTLOCK TECHNOLOGY



U.S. PATENT NO. 8,910,560 AND U.S. PATENT NO. 10,563,943

475-2010

SINGLE CELL MOUNT



REAR SEAT MOUNT

475-2056

475-1759

Model #	Description	Location	Weapon(s)	Style
475-2010	GR9, ZRT, AR-BLM/870	Partition	Dual	Vertical
475-2063	GR9, ZRT, AR-GL3-XL/870	Partition	Dual	Vertical
475-2015	GR9, ZRT, AR-BLM	Partition	Single (AR)	Vertical
475-2014	GR9, ZRT, 870	Partition	Single (870)	Vertical
475-2054	GR9, ZRT, AR-BLM	Partition	Dual (AR)	Vertical
475-2052	GR9, ZRT, AR SECURE-BLM/870	Partition	Dual (AR Secure)	Vertical
475-2053	GR9, ZRT, AR SECURE-BLM	Partition	Single (AR Secure)	Vertical
475-1759	GR7, ZRT, AR-BLM/870, DURANGO 2021+	Single Cell	Single (AR)	Vertical
475-2056	GR6, ZRT, AR-BLM/870, DURANGO 2019+	Rear Seat	Dual	Vertical

SPACE CREATOR BIDIRECTIONAL VEHICLE PARTITION

Keep officers and prisoners safe during transport using Jotto Desk™ Space Creator Vehicle Partitions. The Bidirectional Recessed Housing maximizes officer workspace and prisoner legroom, building an extra layer of protection for your officer. Jotto Desk™ Vehicle Partitions are engineered to save time and money, utilizing the OEM mounting points instead of drilling new holes. Jotto Desk™ originated the Space Creator Vehicle Partition (US Patent No. 8,690,216) to transform unusable space behind the front passenger seat into extra legroom, enough to accommodate your bulkiest prisoner.



475-0965



475-0966



HIGH SECURITY/HIGH VISIBILITY WINDOW

A High Security/High Visibility (HS/HV) Window gives officers the best of both worlds - tremendous sight lines, whether looking out the rearview or turning around. The 4"H x 11"W window allows for communication or passing of information but there won't be anyone that will squeeze through this opening. If a prisoner spits/bleeds/smears the window - it is still easily cleanable... not so with "expanded metal".



475-8848

HSEP

(HIGH SECURITY EXTENSION PANEL)

Enhance partition security by preventing rear passengers from reaching into the front of the vehicle under seats with a two-piece, steel High Security Extension Panel.

ABS SEATING

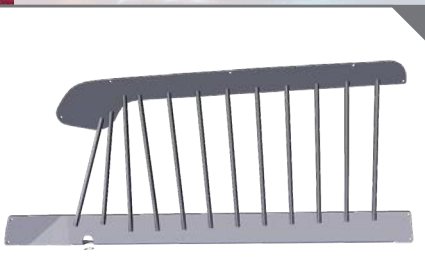
Jotto Desk™ realized the extreme challenge facing agencies in regard to the rear seat area of SUVs. The Jotto Desk solution, provides a complete SUV prisoner transport solution. The Replacement ABS Bio-Seat comes with all the hardware need to remove the OEM seat and replace with a biohazard and contraband control system for easier transportation and clean up. Along with replacing the OEM seat, Jotto Desk is offering a Door Side (DS) Seat Belt System. This system places the buckle and tongue of the seat belt retractor system on the door side of the vehicle, rather than in the center of the vehicle. The obvious advantage to an officer is not having to reach across a prisoner, putting himself at risk during that interaction. As well, additional room is created for prisoner transport but not at the expense of the rear cargo area. That area is left untouched so that other manufacturers products will still fit properly.



475-1516

WINDOW ARMOR

You can now protect your vehicles while transporting prisoners with Jotto Desk's line of Window Armor. The Window Armor is easy to install, prevents side windows from being kicked out and limits reach in or out of the prisoner compartment. This item is designed for a perfect fit in the Dodge Durango Pursuit (2019+).



475-1417

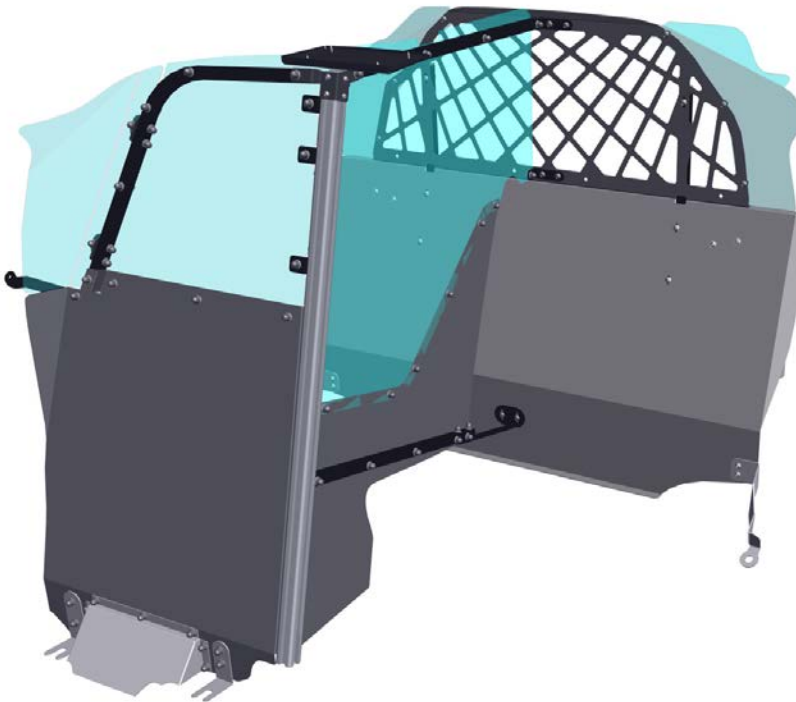
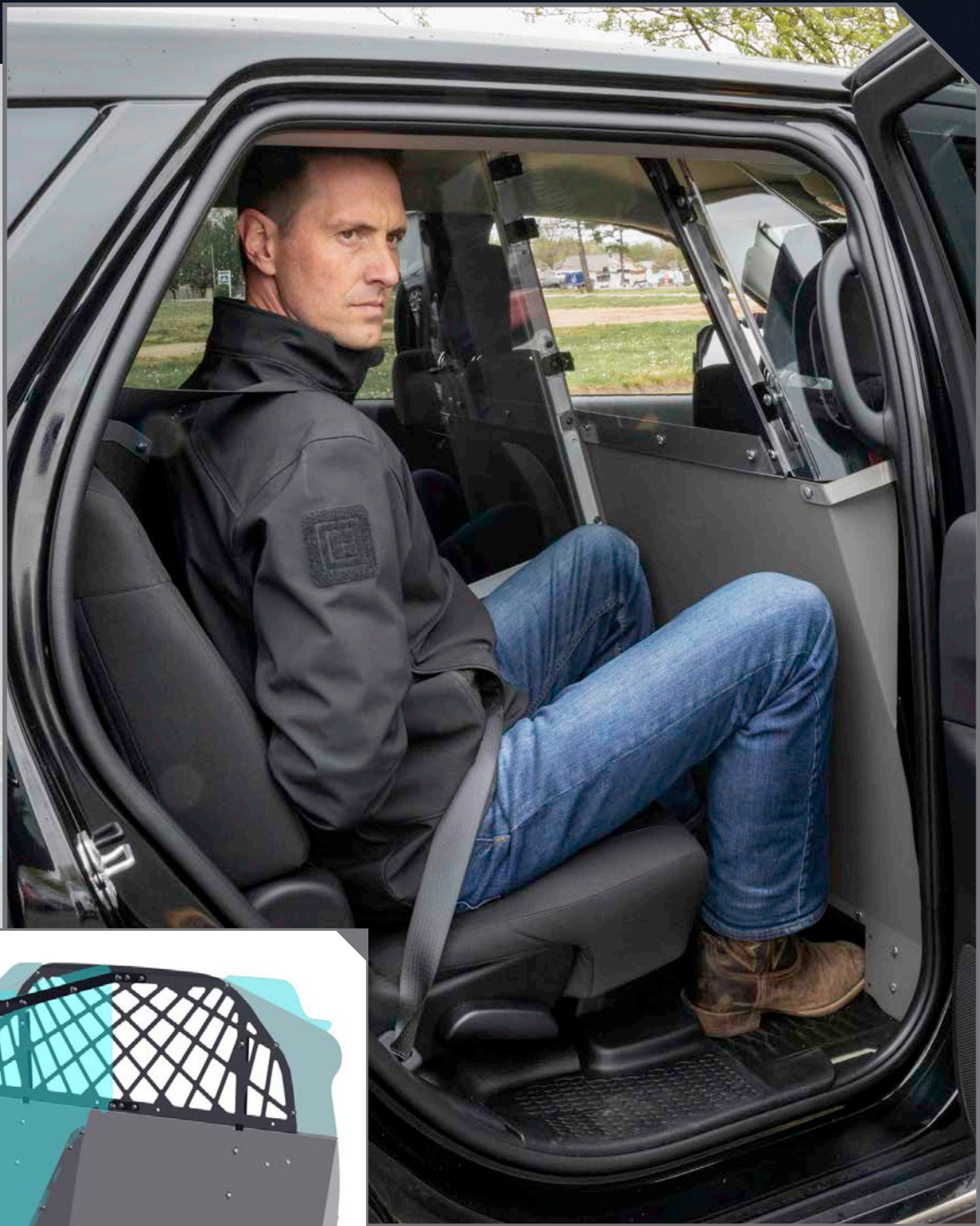


SINGLE CELL

The Jotto Desk Single Cell Lite includes the Front Divider, Center Divider, and Rear Cargo Barrier (CB4). Jotto Desk realized the extreme challenge facing agencies concerning the rear seat area of SUVs. The bottom 2/3 of the Front Divider and Center Divider is powder-coated steel with a built-in HSEP for added prisoner foot room. We didn't want to give prisoners a birds-eye view of the "good guy" side of the vehicle when you don't have to. The upper 1/3 is polycarbonate and designed to allow for prisoner viewing/interaction, but not diminish the driver's view out the rearview mirror. In fact, the visibility for an officer is nothing short of amazing.

Keep your cargo where it belongs with the included the CB4 Prisoner Cargo Barrier. This design secures behind the second row of seats in the (2021+) Dodge Durango Pursuit utilizing OEM mounting points. No cutting of trim is required and very minimal drilling is necessary.

NOTE: CB4 Only Comes With Secure Grid



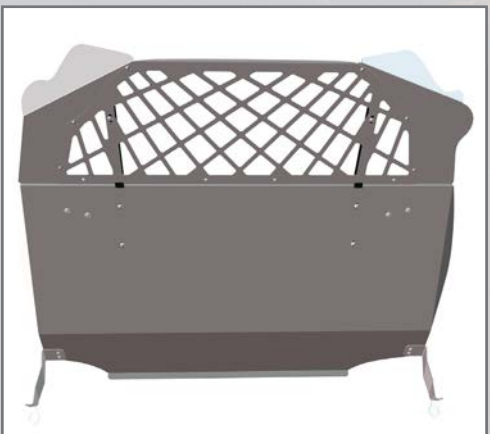
475-1765



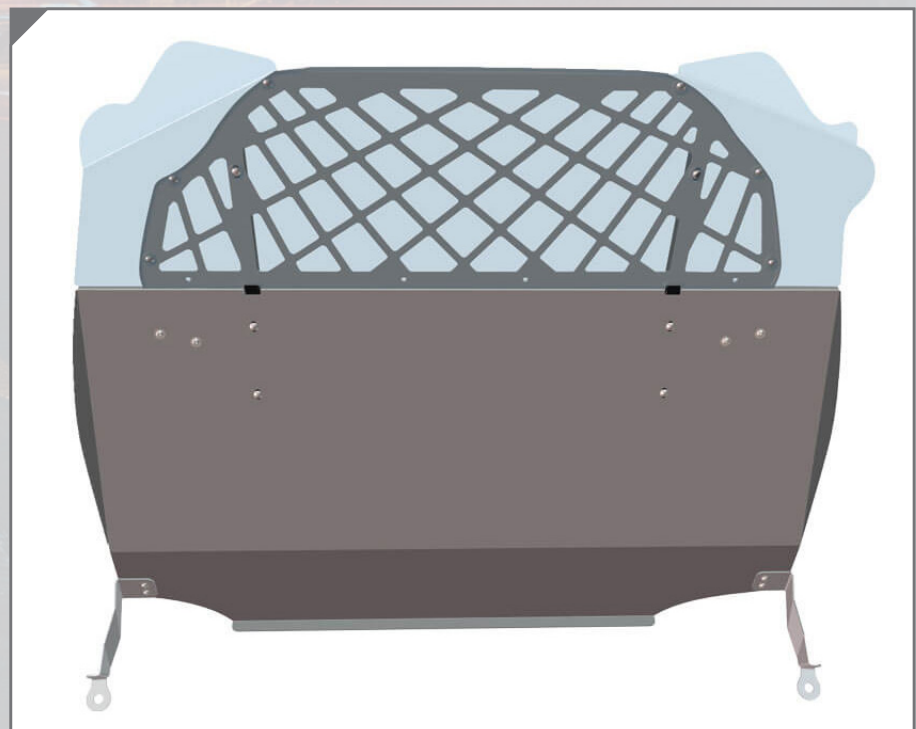


CARGO BARRIERS

Separate the prisoner and the rear cargo areas securely with Jotto Desk's line of Cargo Barriers. Keep prisoners in their area and in case of a crash, keep your cargo where it belongs with the CB4 Prisoner Cargo Barrier. This design secures behind the second row of seats utilizing OEM mounting points, installs quickly and requires no vehicle modifications.



475-0822

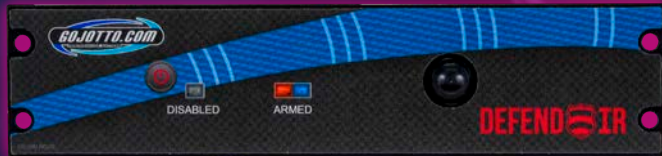


475-1173

DEFEND IR

You take every available precaution to secure your patrol vehicle; firearms in the gun rack, locking equipment and doors. The inconvenient truth is that the criminal element has time on their side to bypass these precautions.

Jotto Desk is excited to introduce the Defend IR Security System. The first Security Solution against patrol vehicle break-ins. The Defend IR Monitors the interior of your vehicle utilizing an infrared sensor when armed. When a change is detected, the Defend IR activates the lights and siren of the patrol vehicle, alerting everyone nearby and scaring off a potential thief.





2021+ F-150 POLICE RESPONDER

ORDERING GUIDE

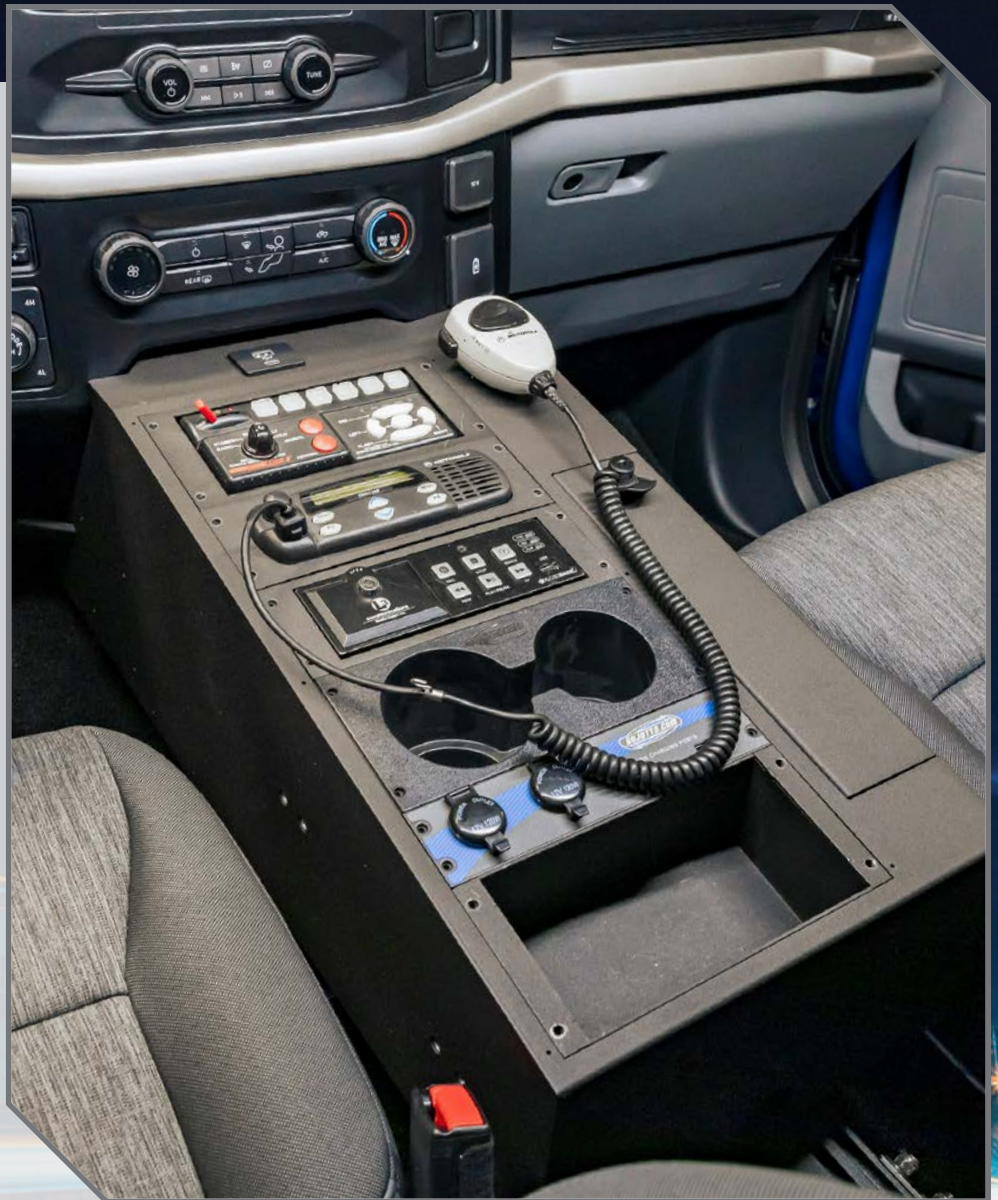
CONTOUR CONSOLES

The Ford F-150 SSV/PR (2021+) Contour Console has a dash contouring shape and will mount up to 20" of equipment. Simply replace the factory console in minutes using top-down installation. No drilling required. PPV OEM USB plugin is able to be relocated if needed, might not work for all trim levels. Each console comes standard with 20" of faceplates, (1) Magnetic Mic, 28" Ford F-150 SSV/PR and F-250-550 floor plate, and a built-in locking lid for secure, extra storage.



425-6524

Rated Capacity	20" of face plates
Length	29.36"
Width	12.59"
Height	10.15"
Depth	(front to rear) 9.82" - 6.52"
Weight	28.8 lbs



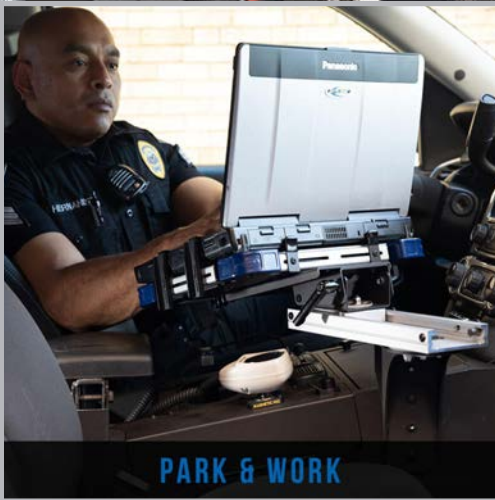
MAMBA MOUNT CONSOLE SIDE MOUNT

Jotto Desk is upgrading and simplifying your on-duty experience with the Mamba Mount, a console side mount designed to work in each zone; Store & Drive, Park & Work, and Tactically Safe.



425-0150/4138

The Mamba Mount's 12" Extruded Motion Arm smoothly rotates from the driver to the passenger side with minimal force, no levers or brackets needed. You can quickly move and reset the Mamba Mount from the home position to a comfortable working position. Pull the rear Indexing Plunger to release the laptop and slide it forward to a working position. When finished, simply reverse the process, pull the front indexing plunger and slide the laptop back to the home or store position. At full extension, the desktop tilts and swivels for the optimal working position. The Mamba Mount easily attaches to the majority of Jotto Desk Contour Consoles and any other standard console with side mount fittings and fits all Jotto Desk A-MOD Desktops.



PARK & WORK



STORE & DRIVE

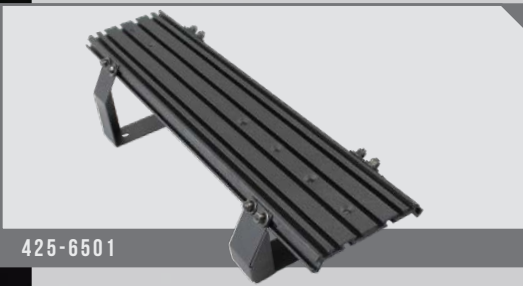


TACTICALLY SAFE



FLOOR PLATE KIT & STANDARD CONSOLES

Secure Consoles and Console Accessories to your Ford F-150 Police Responder with a "No Holes Drilled" Floor Plate Kit.



425-6501

Length 8 - 6.625"
 Width..... 8.75"
 Height..... 9.924 - 6.314"
 Weight 8.55 lbs



Rated Capacity:
 9" of face plates

425-6010 - 9" Standard Console



Length 15.5"
 Width..... 8.75"
 Height..... 10.25 - 4.25"
 Weight 10.6 lbs

Rated Capacity:
 12" of face plates

425-6011 - 12" Standard Console



Length 18"
 Width..... 8.75"
 Height..... 10.5 - 6.8"
 Weight 12.8 lbs

Rated Capacity:
 15" of face plates

425-6012 - 15" Standard Console



18" LAZY "L" CONSOLES

This Lazy "L" Standard Console mounts 18" of radio, communications, siren and light control equipment. Sloped design allows console to be mounted from dash to between seats. Top-down installation using one of our floor plates and requires no drilling.



Length 21"
 Width..... 8.75"
 Height..... 11.25" - 7.375"
 Weight 12.3 lbs

Rated Capacity:
 18" of face plates

425-6232

WIDE BODY CONSOLE

The Wide Body Standard Console mounts 20" of equipment plus a built in lock box. The Integrated Pentax/Brother Wide Body Console features a custom printer mount, 14" rated capacity, and lock box. The AR Secure model conceals a ZRT Gun Rack. Top-down installation using one of our floor plates and requires no drilling.



WIDE BODY CONSOLE

Length28.25"
 Width.....3.139"
 Height.....10.25"
 Depth6.436 - 10"
 Weight23.5 lbs
Rated Capacity:
 20" of face plates



425-6445

WIDE BODY INTEGRATED PENTAX/BROTHER CONSOLE

Length 23.69"
 Width..... 13.15"
 Height..... 10.15"
 Depth 6.52 - 9.02"
 Weight 23 lbs
Rated Capacity:
 14" of face plates



425-6554

WIDE BODY AR SECURE CONSOLE

Length28.3"
 Width..... 15.179"
 Height..... 10.154"
 Depth 6.671 - 13.133"
 Weight 36.55 lbs
Rated Capacity:
 20" of face plates



425-6491



JOTTO DESK® NO HOLES MOUNT

Field-proven over 20 years, the Jotto Desk® offers mobile professionals the best laptop mount for cars, trucks, vans, SUVs and Big Rigs.

- **Articulated Arm**
1" square x 13.375" solid aluminum; black anodized
- **Telescoping Rod**
7/8" x 12" steel with 5/8" turned swing arm rest
- **Stand**
1" x 10" 11 gauge steel, black; round stock
- **Height Variation**
21" - 25"
- **Base Mount**
3/16" gauge master, one-piece base with tapped 7/8" mounting post



425-5046/4143



HEAVY DUTY NO HOLES MOUNT

- **Heavy Duty Motion Arm**
4.25" w x 0.75" thick x 9" long; black anodized
- **Upgraded Telescoping Rod**
1.75" x 6" steel with swing arm
- **Upgraded Stand**
2" x 15" .218 thickness, black; round stock
- **Height Variation**
15.875" to 19.875"
- **Upgraded Base Mount**
7 gauge steel, one-piece base

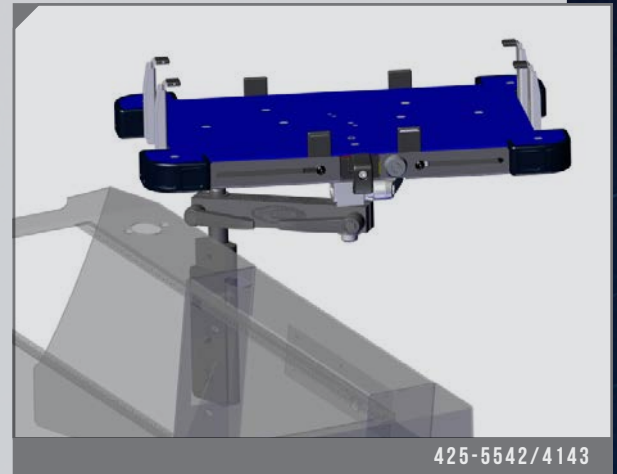


425-5043/4138

CONSOLE SIDE MOUNTS



The JOTTO DESK® Console Side Mount (CSM) features No Holes Drilled installation on the passenger side of a compatible equipment console, preserving front passenger side leg room and improving performance. The CSM offers a straight arm which enables you to comfortably use and secure a laptop using the A-MOD or other desktop.



425-5542/4143

BUILT TO FIT:

WIDE BODY CONSOLE
425-6445



WIDE BODY INTEGRATED
PENTAX/BROTHER CONSOLE
425-6554



CONTOUR CONSOLE
425-6524



A-MOD (ADJUSTABLE-MOBILE OPERATIONS DESKTOP)

450-4147
A-MOD w/GK PLATE & SHORT CLAMPS

Width.....11.25" to 13.625"
Depth9.25" to 11" (with extensions)
Clamp Height.....0.5" to 1.10" (Short Clamp)
Weight:4.65 lbs (5.65 lbs with GK Plate)



450-4144
A-MOD XL w/GK PLATE & SHORT CLAMPS

Width.....13.5" to 16"
Depth9.25" to 11" (with extensions)
Clamp Height.....0.5" to 1.10" (Short Clamp)
Weight:5.1 lbs (6.1lbs with GK Plate)



450-4153
A-MOD XL w/GK PLATE & TALL CLAMPS

Width.....13.5" to 16"
Depth9.25" to 11" (with extensions)
Clamp Height.....1" to 2.25" (Tall Clamp)
Weight:5.1 lbs (6.1lbs with GK Plate)



450-4143 - A-MOD w/GK PLATE & TALL CLAMPS

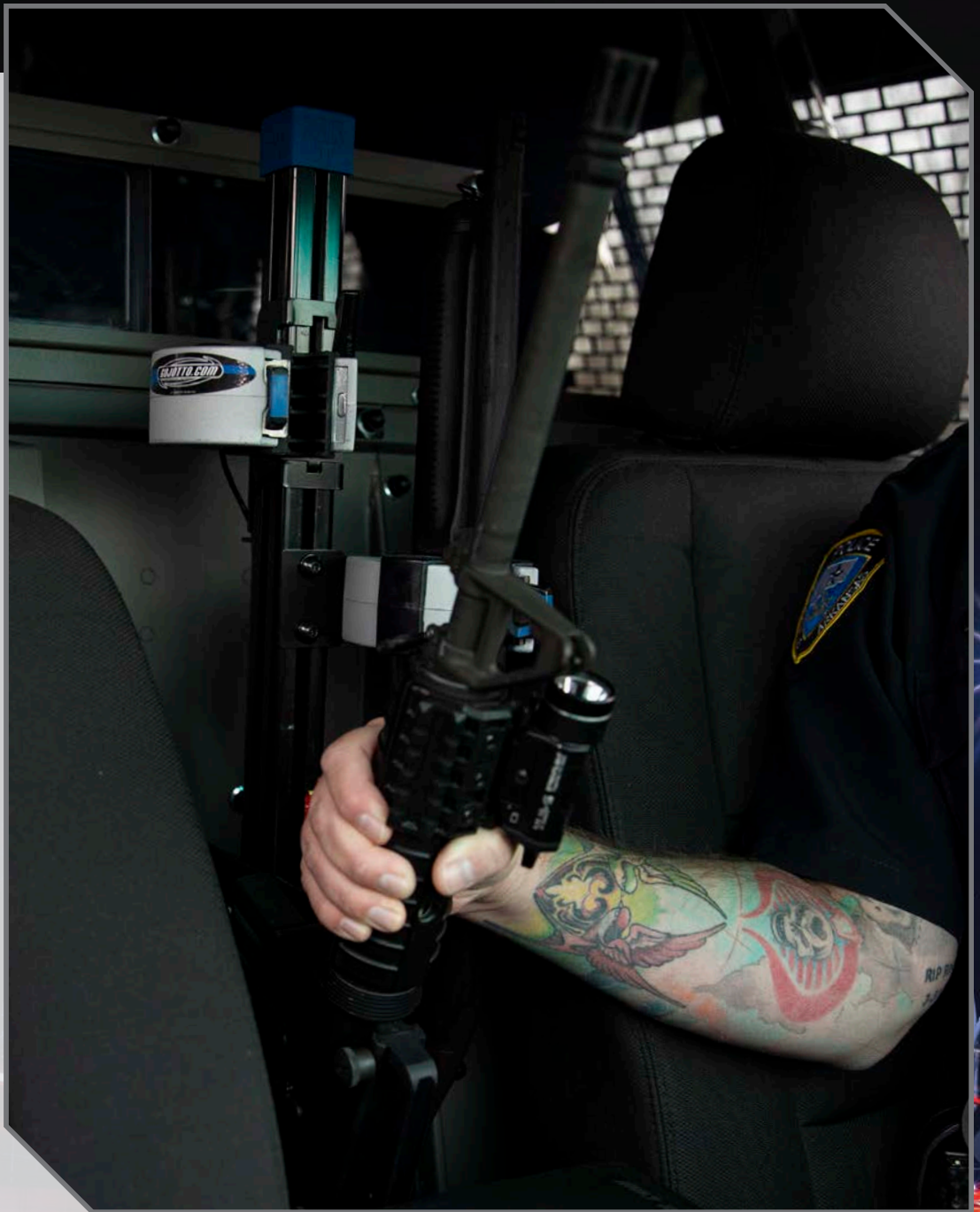
Width.....11.25" to 13.625" Clamp Height.....1" to 2.25" (Tall Clamp)
Depth9.25" to 11" (with extensions) Weight:4.65 lbs. (5.65 lbs with GK Plate)

The A-MOD is engineered to be lightweight, yet rugged. Manufactured from steel, high strength aluminum, and composite materials where it makes sense. It's not real security if a laptop can be simply be stolen by jimmying the lock or bending the clamps. The A-MOD features a high-security solid brass tubular lock and case-hardened steel clamps.

ZRT GUNS RACK

The ZRT Gun Racks are designed for any configuration you can imagine. Partition Mounted, Single Cell Mounted, Rear Seat Mounted or Free Standing, and Rear Hatch Mounted – Single Weapon or Dual.

- Eliminates 12V hot-wiring
- Cannot be defeated by magnets
- Zinc lock head design deforms instead of breaking
- Silicone inserts in lock head
- Protect weapon from damage
- Quickly adjust AR side along the strong extruded backbone to accommodate various stocks
- Single or dual weapon
- Plug and play lock head/timer wiring
- Compact size - 1/3 smaller than other lock heads
- Innovative slide latch
- Recesses inside housing
- When accessing firearm

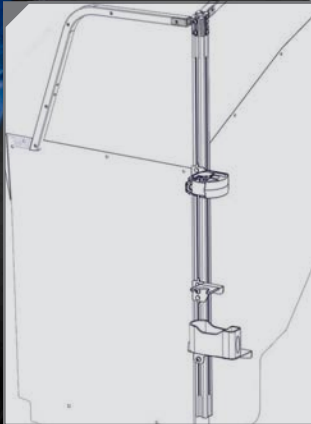
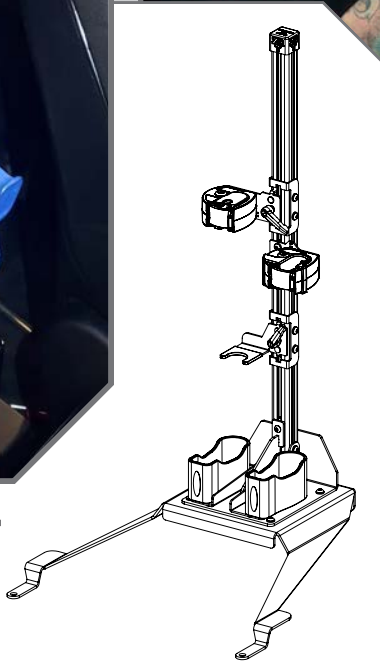


SMARTLO  **TECHNOLOGY**



U.S. PATENT NO. 8,910,560 AND U.S. PATENT NO. 10,563,943

SINGLE CELL MOUNT



REAR SEAT MOUNT

475-9473

475-2046

Model #	Description	Location	Weapon(s)	Style
475-2010	GR9, ZRT, AR-BLM/870	Partition	Dual	Vertical
475-2063	GR9, ZRT, AR-GL3-XL/870	Partition	Dual	Vertical
475-2015	GR9, ZRT, AR-BLM	Partition	Single (AR)	Vertical
475-2014	GR9, ZRT, 870	Partition	Single (870)	Vertical
475-2054	GR9, ZRT, AR-BLM	Partition	Dual (AR)	Vertical
475-2052	GR9, ZRT, AR SECURE-BLM/870	Partition	Dual (AR Secure)	Vertical
475-2053	GR9, ZRT, AR SECURE-BLM	Partition	Single (AR Secure)	Vertical
475-2046	GR7, ZRT, AR-BLM, SUV-PICKUP	Single Cell	Single (AR)	Vertical
475-9473	GR6, ZRT, AR-BLM/870, F-150 2021+	Rear Seat	Dual	Vertical

SPACE CREATOR BIDIRECTIONAL VEHICLE PARTITION

Keep officers and prisoners safe during transport using Jotto Desk Space Creator Vehicle Partitions. The Bidirectional Recessed Housing maximizes officer workspace and prisoner legroom, building an extra layer of protection for your officer. Jotto Desk Vehicle Partitions are engineered to save time and money, utilizing the OEM mounting points instead of drilling new holes. Jotto Desk originated the Space Creator Vehicle Partition (US Patent No. 8,690,216) to transform unusable space behind the front passenger seat into extra legroom, enough to accommodate your bulkiest prisoner.



HSEP (HIGH SECURITY EXTENSION PANEL)

Enhance partition security by preventing rear passengers from reaching into the front of the vehicle under seats with a two-piece, steel High Security Extension Panel.



HIGH SECURITY/HIGH VISIBILITY WINDOW

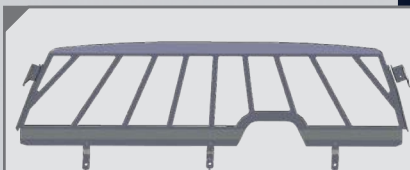
A High Security/High Visibility (HS/HV) Window gives officers the best of both worlds - tremendous sight lines, whether looking out the rearview or turning around. The 4"H x 11"W window allows for communication or passing of information but there won't be anyone that will squeeze through this opening. If a prisoner spits/bleeds/smears the window - it is still easily cleanable...not so with "expanded metal".



WINDOW ARMOR

Protect your vehicles while transporting prisoners with Jotto Desk's line of Window Armor. Easy to install, helps prevent side windows from being kicked out and nobody can reach in or out of the prisoner compartment.

REAR WINDOW ARMOR



475-1168

DOOR WINDOW ARMOR



475-1167

SINGLE CELL LITE

The Single Cell Lite for the 2018+ Ford F-150 SSV/Police Responder includes the Front Divider, Center Divider, Rear Window Armor and Door Window Armor. Jotto Desk realized the extreme challenge facing agencies in regard to the rear seat area of pickups and has created a solution for prisoner containment in those vehicles. The bottom 2/3 of the front divider and center divider is powder coated steel with a built-in HSEP for added prisoner foot room. We didn't want to give prisoners a birds-eye view of the "good guy" side of the vehicle when you don't have to. The upper 1/3 is polycarbonate and has been designed to allow for prisoner viewing/interaction but not diminish drivers view out the rear view mirror. In fact, the visibility for an officer is nothing short of amazing.



475-1812

DEFEND IR

You take every available precaution to secure your patrol vehicle; firearms in the gun rack, locking equipment and doors. The inconvenient truth is that the criminal element has time on their side to bypass these precautions.

Jotto Desk is excited to introduce the Defend IR Security System. The first Security Solution against patrol vehicle break-ins. The Defend IR Monitors the interior of your vehicle utilizing an infrared sensor when armed. When a change is detected, the Defend IR activates the lights and siren of the patrol vehicle, alerting everyone nearby and scaring off a potential thief.





**2020+ POLICE INTERCEPTOR UTILITY
ORDERING GUIDE**

CONTOUR CONSOLES

Jotto Desk® developed the original Contour Console in 2001, revolutionizing console design. The Jotto Desk® team evaluates each vehicle and creates a custom console solution that maximizes available space, contours to the dash, and utilizes the OEM extrusions as mounting points.

Length 33.61" Height..... 10.78"
 Width..... 13.23" Weight 13.92 lbs
 Rated Capacity 20" of face plates (6" top & 14" bottom)



425-6505



425-6508

IPBCC INTEGRATED PENTAX/BROTHER CONTOUR CONSOLE

The Jotto Desk® IPBCC integrates a Pentax/Brother PocketJet 6/7 Printer and paper roll with all the benefits of a Contour Console.

Length 33.61" Height..... 10.78"
 Width..... 13.23" Weight 15.92 lbs
 Rated Capacity 14" of face plates

DASH MOUNT CONTOUR CONSOLE

Dash Mount Contour Consoles are a perfect fit for the equipment officers need in the line of sight.

Depth 8" Weight 4.7 lbs
 Rated Capacity 3" of face plates



425-6511



425-6512

MAX DEPTH CONTOUR CONSOLE

The Jotto Desk® team knows the equipment required to do the job leaves little to no room for compromise. You can fill the Max Depth Contour Console with all the equipment you need.

Length 37.32" Height..... 17.16"
 Width..... 13.15" Weight 23.75 lbs
 Rated Capacity 20" of face plates

CONSOLE ACCESSORIES

Our goal is to optimize your mobile office for performance and comfort. We make accessories that get the job done.

- 12V/USB Outlets
- Faceplates
- Printer Mounts
- Armrests
- Floor Plates
- Storage
- Cup Holders
- UVV Littlite
- Magnetic Mic Clips



425-6164

UVV BY LITTLITE®

The UVV by Littlite® is your Three-in-One compact police lighting assistant. Toggle between a bright, dim, red, or UV light with the flip of a switch. Validate licenses quickly and efficiently using the combo UV light and license holder clips. The Littlite® UVV also protects officers by maintaining low external visibility and providing a private safe lit area internally.



425-0014



425-6162

FLOOR PLATE



425-6674



STANDARD CONSOLE

JOTTO DESK® NO HOLES MOUNT

Field-proven over 20 years, the Jotto Desk® offers mobile professionals the best laptop mount for cars, trucks, vans, SUVs and Big Rigs.

- **Articulated Arm**
1" square x 13.75" solid aluminum; black anodized
- **Telescoping Rod**
7/8" x 12" steel with 5/8" turned swing arm rest
- **Stand**
1" x 10" 11 gauge steel, black; round stock
- **Height Variation**
18.375" - 22.375"
- **Base Mount**
3/16" gauge master, one-piece base with tapped 7/8" mounting post



425-5010/4143



HEAVY DUTY NO HOLES MOUNT

- **Heavy Duty Motion Arm**
4.25" w x 0.75" thick x 9" long; black anodized
- **Upgraded Telescoping Rod**
1.75" x 6" steel with swing arm
- **Upgraded Stand**
2" x 15" .218 thickness, black; round stock
- **Height Variation**
15.875" to 19.875"
- **Upgraded Base Mount**
7 gauge steel, one-piece base



425-5032/4138

CONSOLE SIDE MOUNTS



The JOTTO DESK® Console Side Mount (CSM) features No Holes Drilled installation on the passenger side of a compatible equipment console, preserving front passenger side leg room and improving performance. The CSM offers a straight arm which enables you to comfortably use and secure a laptop using the A-MOD or other desktop.



425-5699/4143

BUILT TO FIT:



CONTOUR CONSOLE
425-6505



IPB CONTOUR CONSOLE
425-6508



MAX DEPTH CONTOUR CONSOLE
425-6512

A-MOD (ADJUSTABLE-MOBILE OPERATIONS DESKTOP)

450-4147
A-MOD w/GK PLATE & SHORT CLAMPS

Width.....11.25" to 13.625"
Depth9.25" to 11" (with extensions)
Clamp Height.....0.5" to 1.10" (Short Clamp)
Weight:4.65 lbs (5.65 lbs with GK Plate)



450-4144
A-MOD XL w/GK PLATE & SHORT CLAMPS

Width.....13.5" to 16"
Depth9.25" to 11" (with extensions)
Clamp Height.....0.5" to 1.10" (Short Clamp)
Weight:5.1 lbs (6.1lbs with GK Plate)



450-4153
A-MOD XL w/GK PLATE & TALL CLAMPS

Width.....13.5" to 16"
Depth9.25" to 11" (with extensions)
Clamp Height.....1" to 2.25" (Tall Clamp)
Weight:5.1 lbs (6.1lbs with GK Plate)



450-4143 - A-MOD w/GK PLATE & TALL CLAMPS

Width.....11.25" to 13.625" Clamp Height.....1" to 2.25" (Tall Clamp)
Depth9.25" to 11" (with extensions) Weight:4.65 lbs. (5.65 lbs with GK Plate)

The A-MOD is engineered to be lightweight, yet rugged. Manufactured from steel, high strength aluminum, and composite materials where it makes sense. It's not real security if a laptop can be simply be stolen by jimmying the lock or bending the clamps. The A-MOD features a high-security solid brass tubular lock and case-hardened steel clamps.

ZRT GUNS RACK

The ZRT Gun Racks are designed for any configuration you can imagine. Partition Mounted, Single Cell Mounted, Rear Seat Mounted or Free Standing, and Rear Hatch Mounted – Single Weapon or Dual.

- Eliminates 12V hot-wiring
- Cannot be defeated by magnets
- Zinc lock head design deforms instead of breaking
- Silicone inserts in lock head
- Protect weapon from damage
- Quickly adjust AR side along the strong extruded backbone to accommodate various stocks
- Single or dual weapon
- Plug and play lock head/timer wiring
- Compact size - 1/3 smaller than other lock heads
- Innovative slide latch
- Recesses inside housing
- When accessing firearm



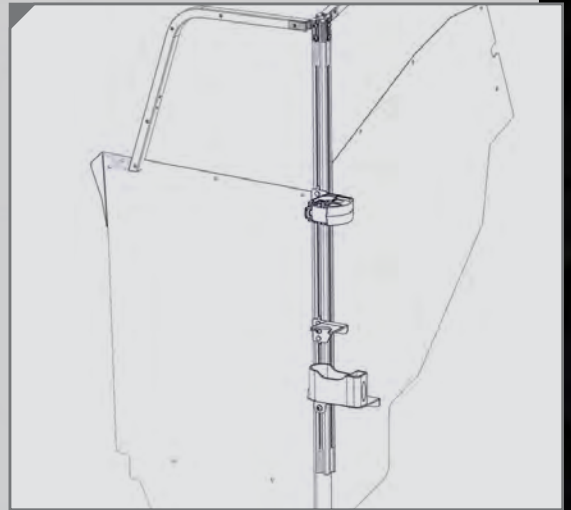
SMARTLO TECHNOLOGY



U.S. PATENT NO. 8,910,560 AND U.S. PATENT NO. 10,563,943



SINGLE CELL MOUNT



475-2046

REAR HATCH MOUNT



475-1529



Model #	Description	Location	Weapon	Style
475-2010	GR9-ZRT-AR BLM/870	Partition	Dual	Vertical
475-2063	GR9-ZRT-AR-GL3-XL/870	Partition	Dual	Vertical
475-2015	GR9-ZRT-AR-BLM-V	Partition	Single (AR)	Vertical
475-2014	GR9-ZRT-870-V	Partition	Single (870)	Vertical
475-2054	GR9-ZRT-AR-BLM	Partition	Dual (AR)	Vertical
475-2052	GR9-ZRT-AR Secure-BLM/870	Partition	Dual (AR Secure)	Vertical
475-2053	GR9-ZRT-AR Secure-BLM	Partition	Single (AR Secure)	Vertical
475-2038	GR7-ZRT-SUV-PICKUP-AR BLM/870	Single Cell	Dual	Vertical
475-2046	GR7-ZRT-SUV-PICKUP-AR BLM	Single Cell	Single (AR)	Vertical
475-0653	GR6-ZRT-PIU-2020+-AR BLM/870	Rear Seat	Dual	Vertical
475-1528	GR4-ZRT-AR-BLM-PI-UTILITY-2020+	Rear Hatch	Single (AR)	Horizontal
475-1529	GR4-ZRT-870-PI-UTILITY 2020+	Rear Hatch	Single (870)	Horizontal

VEHICLE PARTITIONS

Keep your officers safe while transporting prisoners with Jotto Desk's line of vehicle partitions. Our system allows your department to configure the partition to maximize the officer's workspace while providing safe transport of prisoners. The partition's no holes drilled system makes installation fast and easy.

SPACE CREATOR BIDIRECTIONAL VEHICLE PARTITION

Jotto Desk originated the Space Creator Vehicle Partitions (US Patent No. 8,690,216) to transform previously unusable space to create additional leg room behind the front passenger seat. The Bidirectional Recessed Housing (BDRH) creates unparalleled leg room for even large prisoners while maintaining excellent use of officer seat for complete comfort.



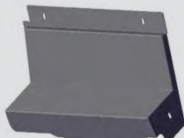
475-0065



475-0063

HSEP (HIGH SECURITY EXTENSION PANEL)

Enhance partition security by preventing rear passengers from reaching into the front of the vehicle under seats with a two-piece, steel High Security Extension Panel.



475-0968 - SPACE CREATOR HIGH SECURITY EXTENSION PANEL

UDRH VEHICLE PARTITION (UNIDIRECTIONAL RECESSED HOUSING)



475-0840



475-0839



475-1007 - UDRH HIGH SECURITY EXTENSION PANEL



HIGH SECURITY/HIGH VISIBILITY WINDOW

A High Security/High Visibility (HS/HV) Window gives officers the best of both worlds - tremendous sight lines, whether looking out the rearview or turning around. The 4"H x 11"W window allows for communication or passing of information but there won't be anyone that will squeeze through this opening. If a prisoner spits/bleeds/smears the window - it is still easily cleanable...not so with "expanded metal".



WINDOW ARMOR

Protect your vehicles while transporting prisoners with Jotto Desk's line of Window Armor. Easy to install, helps prevent side windows from being kicked out and nobody can reach in or out of the prisoner compartment. This item are designed for a perfect fit in the 2020+ Ford PI Utility.

BAR STYLE WINDOW ARMOR

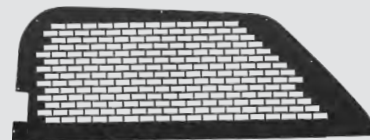
475-0848



475-1401 with Door Control Covers

SECURE GRID STYLE WINDOW ARMOR

475-0902



475-1486 with Door Control Covers

DOOR CONTROL COVERS



475-1251



REAR CARGO AREA SECURE-GRID WINDOW ARMOR

The Rear Cargo Area Secure-Grid Window Armor protects the equipment stored in the rear cargo area from being stolen during a smash and grab situation. This Window Armor secures the cargo area by providing addition window armor that covers the driver/passenger side rear windows and the rear hatch window.

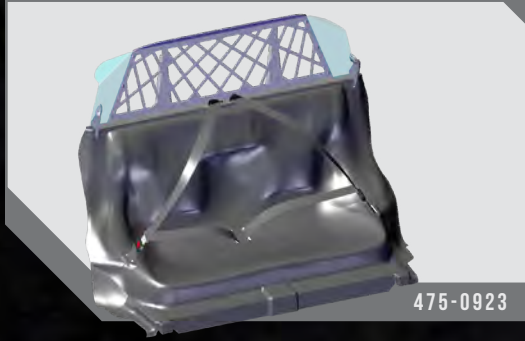


475-1113



ABS SEATING

Jotto Desk realized the extreme challenge facing agencies in regard to the rear seat area of SUVs. The Jotto Desk solution, provides a complete SUV prisoner transport solution. The Replacement ABS Bio-Seat comes with all the hardware need to remove the OEM seat and replace with a biohazard and contraband control system for easier transportation and clean up. Along with replacing the OEM seat, Jotto Desk is offering a Door Side (DS) Seat Belt System.



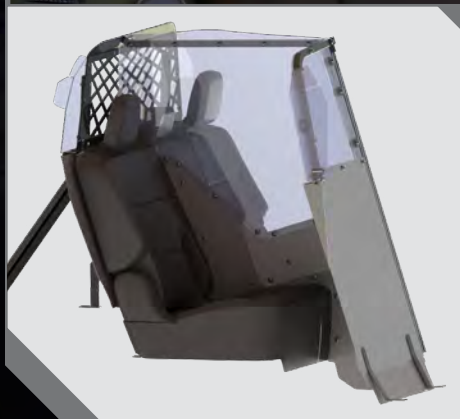
SINGLE CELL

This Single Cell includes Front Divider, Center Divider, Passenger Side Window Armor/Steel Door Control Covers, ABS Seat Cover, and SCA Compliant Rear Cargo Barrier (CB4). The Center Divider has been re-designed for 2020, reducing the steel and increasing the upper poly section to greatly improve the visibility of the prisoner. A removable HSEP has been designed for added prisoner foot room... but can be removed to provide additional airflow when used in a PI Utility without rear air. The ABS Bio Seat Cover offers the benefit of biohazard and contraband control with easy clean up when needed. One more feature for 2020 is the passenger side Door Control Covers, which are an inexpensive way to eliminate access to the OEM door latch and window controls.



SINGLE CELL LITE

The Jotto Desk® Single Cell includes the Front Divider, Center Divider and SCA Compliant Rear Cargo Barrier (CB4). The bottom 2/3 of the front divider and center divider is powder coated steel with a detachable HSEP for added prisoner foot room. We wanted to give officers a greater viewing angle of prisoners being transported, so the design was tweaked to increase the poly and reduce the steel.



CARGO BARRIERS

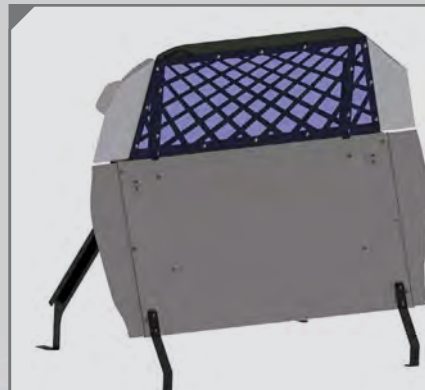


CARGO BARRIER WITH UPPER POLY COVER

Separate prisoner and rear cargo areas securely with Jotto Desk's line of Cargo Barriers. Keep prisoners in their area and in case of a crash, keep your cargo where it belongs with the CB4 Prisoner Cargo Barrier. This design secures behind the second row of seats utilizing OEM mounting points, installs quickly and requires no vehicle modifications.



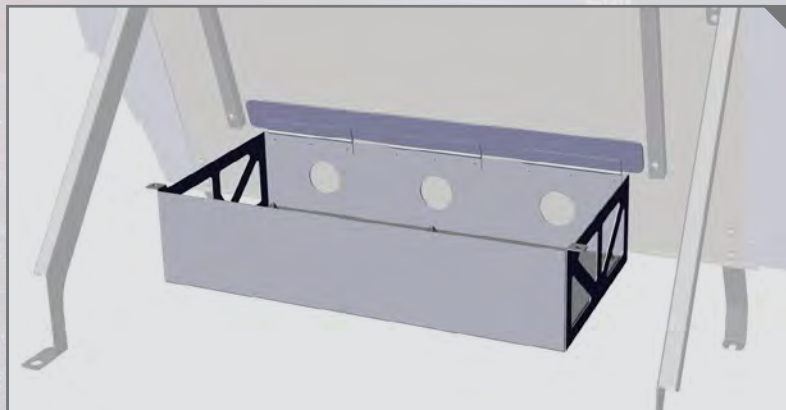
475-0067



475-1337

CARGO BARRIER EQUIPMENT TRAY

The Cargo Barrier Equipment Tray provides a secure location to mount communications, lighting, and other equipment in the PI Utility cargo area. The Equipment Tray has been designed to mount directly to Jotto Desk Cargo Barriers (475-0067 & 475-1337) and the Cargo Barrier has been manufactured with PEM hardware to make installation a breeze. The steel construction of the equipment tray - helps protect the mounted equipment from damage due to unsecured items flying about when the vehicle is in motion. This solution makes initial upfits easy, as equipment can be bench mounted to the Removeable Shelf and then mounted to the Equipment Tray. When servicing the mounted equipment - instead of doing everything in the confines of the cargo area, simply pull the Removeable Shelf from the Equipment Tray and take into an air-conditioned room for repairs/replacement.



425-8001



TSP

TOTAL SOLUTIONS PROVIDER



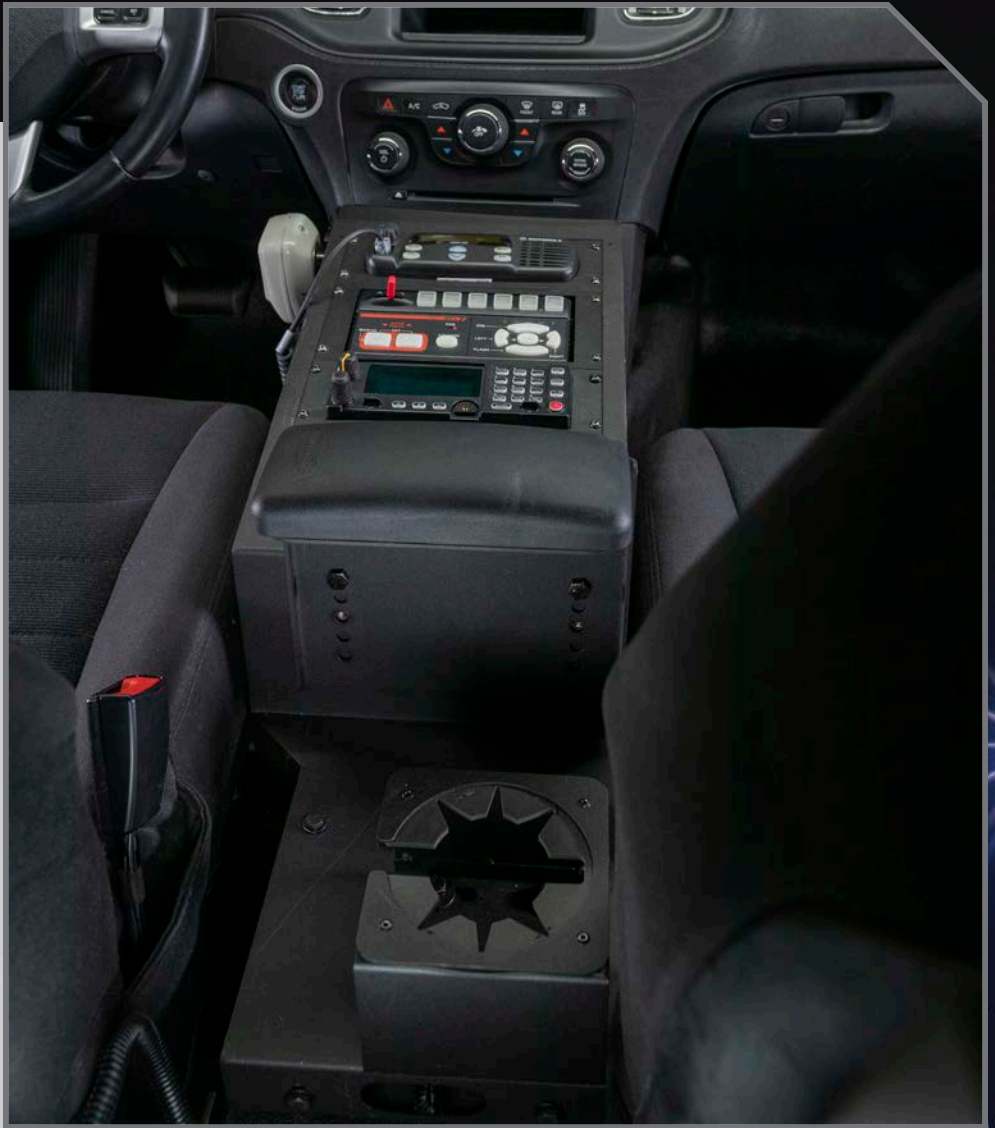


2016+ CHARGER PURSUIT
ORDERING GUIDE

DGS CONTOUR CONSOLE

(DUTY GEAR SAVER)

The Dodge Charger (2021+) DGS Contour Console (Duty Gear Saver) has a dash contouring shape and will fit all necessary communication and lighting equipment and extra room for your duty weapon. The installation of the Charger DGS Contour Console is quick and simple, utilizing OEM mounting points under the factory sensor cover plate. No drilling required. Console comes with 14" of faceplates. This Charger DGS Contour Console has been designed to accommodate our Mamba Mount (425-0150), Computer Side Mount (425-5542) with mounting locations for our Side Mounted Armrest (425-1849) and Tall Armrest (425-0029).



425-6687

Length37.51" Height.....10.15"
 Width.....13.51" Weight22.75 lbs
 Rated Capacity20" of face plates

- DGS Design (extra room for duty weapon)
- (1) 12V Outlet
- (1) Magnetic Mic
- Relocates OEM USB/AUX and 110 Outlet
- Driver's Side Knockout for Mounting Speaker
- Passengers Side Fuse Block w/Cover/Access Panel

CONTOUR CONSOLES

Jotto Desk® developed the original Contour Console in 2001, revolutionizing console design. The Jotto Desk® team evaluates each vehicle and creates a custom console solution that maximizes available space, contours to the dash, and utilizes OEM mounting points.

CONTOUR CONSOLE - HORIZONTAL



425-6636 - DODGE CHARGER 2011+

Length	37.56"	Height.....	10.03"
Width.....	13.70"	Weight	20 lbs
Rated Capacity	16" of face plates		



CONTOUR CONSOLE - CC/CD

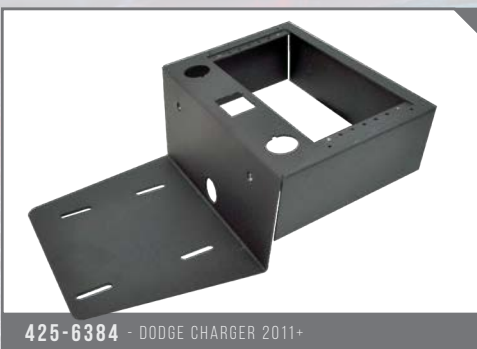


425-6175 - DODGE CHARGER 2011+

Length	10.625"	Height.....	9.25"-5.5"
Width.....	14.25"	Weight	11 lbs
Rated Capacity	10" of face plates		



ACCESSORY ADAPTOR PLATE



425-6384 - DODGE CHARGER 2011+

Rated Capacity

4" of face plates
The Accessory Adaptor Plate extends the Contour Console CC/CD Dodge Charger (2011+) 425-6175, relocates the OEM 12V Outlets (2) and USB Port.



IPBCC INTEGRATED PENTAX/BROTHER CONTOUR CONSOLE

Integrated Pentax/Brother Contour Consoles Dodge Charger (2016+) integrates a Pentax/Brother PocketJet 6/7 Printer and paper roll for easy access for the officer.



Length31.764" Height.....9.583"
 Width.....14.113" Weight 11.9 lbs
 Rated Capacity15" of face plates (4" top & 11" bottom)



425-6485 - DODGE CHARGER 2016+



IPBCC INTEGRATED PENTAX/BROTHER MAX DEPTH CONTOUR CONSOLE



425-6644 - DODGE CHARGER 2016+

Length 31.89" Height.....9.87"
 Width.....13.93" Weight 14.10 lbs
 Rated Capacity 16" of face plates
 (6" top, 6" middle, 4" bottom)



CONSOLE ACCESORIES

Our goal is to optimize your mobile office for performance and comfort. We make accessories that get the job done.

USB X 2 & 12V POWER OUTLETS X2 IN 2" FACEPLATE



425-6164

- 12V/USB Outlets
- Faceplates
- Printer Mounts
- Armrests
- Floor Plates
- Storage
- Cup Holders
- UVV Littlite
- Magenetic Mic Clips

DEFEND IR

You take every available precaution to secure your patrol vehicle; firearms in the gun rack, locking equipment and doors. The inconvenient truth is that the criminal element has time on their side to bypass these precautions.

Jotto Desk is excited to introduce the Defend IR Security System. The first Security Solution against patrol vehicle break-ins. The Defend IR Monitors the interior of your vehicle utilizing an infrared sensor when armed. When a change is detected, the Defend IR activates the lights and siren of the patrol vehicle, alerting everyone nearby and scaring off a potential thief.



JOTTO DESK® NO HOLES MOUNT

Field-proven over 20 years, the Jotto Desk® offers mobile professionals the best laptop mount for cars, trucks, vans, SUVs and Big Rigs.

- **Articulated Arm**
1" square x 6 3/4" solid aluminum; black anodized
- **Telescoping Rod**
7/8" x 12" steel with 3/8" turned swing arm rest
- **Stand**
1" x 10" 11 gauge steel, black; round stock
- **Height Variation**
20.5" - 25"
- **Base Mount**
3/16" gauge master, one-piece base with tapped 7/8" mounting post
- **Weight**
17.55 lbs



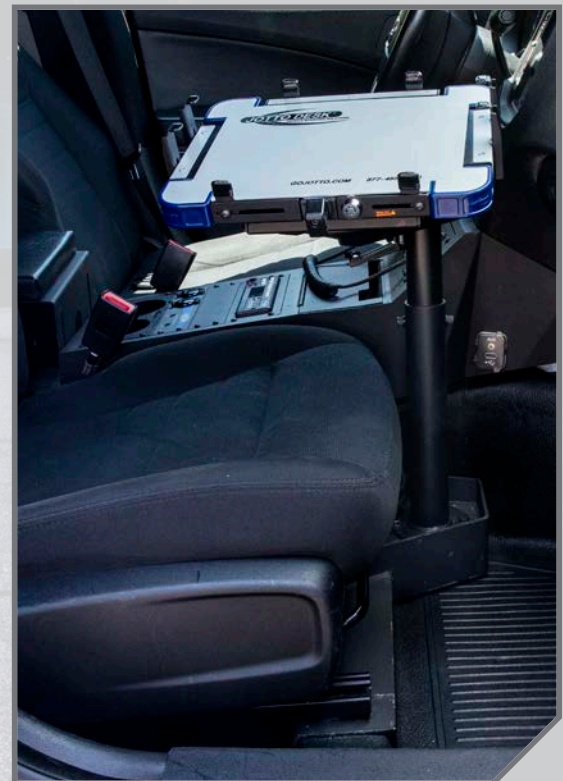
425-5640/4143 - DODGE CHARGER 2011+

HEAVY DUTY NO HOLES MOUNT

Field-proven over 20 years, the Jotto Desk® offers mobile professionals the best laptop mount for cars, trucks, vans, SUVs and Big Rigs.

- **Articulated Arm**
1" square x 6 3/4" solid aluminum; black anodized
- **Telescoping Rod**
7/8" x 12" steel with 5/8" turned swing arm rest
- **Stand**
1" x 10" 11 gauge steel, black; round stock
- **Height Variation**
20.5" - 25"
- **Base Mount**
3/8" gauge master, one-piece base with tapped 1/8" mounting post
- **Weight**
17.55 lbs

- **Heavy Duty Motion Arm**
4 1/4" w x 0/75" thick x 9" long; black anodized
- **Upgraded Telescoping Rod**
1 3/4" x 6" steel with swing arm
- **Upgraded Stand**
2" x 15" .218 thickness, black; round stock
- **Height Variation**
15 7/8" to 19 7/8"
- **Upgraded Base Mount**
7 gauge steel, one-piece base



MAMBA MOUNT

CONSOLE SIDE MOUNT

Jotto Desk is upgrading and simplifying your on-duty experience with the Mamba Mount, a console side mount designed to work in each zone; **Store & Drive, Park & Work, and Tactically Safe.**



425-0150/4138

BUILT TO FIT:

CONTOUR CONSOLE
425-6636



D6S CONTOUR CONSOLE
425-6705



IPB CONTOUR CONSOLE
425-6485



MAMBA MOUNT DCR



425-0022/4138

BUILT TO FIT:

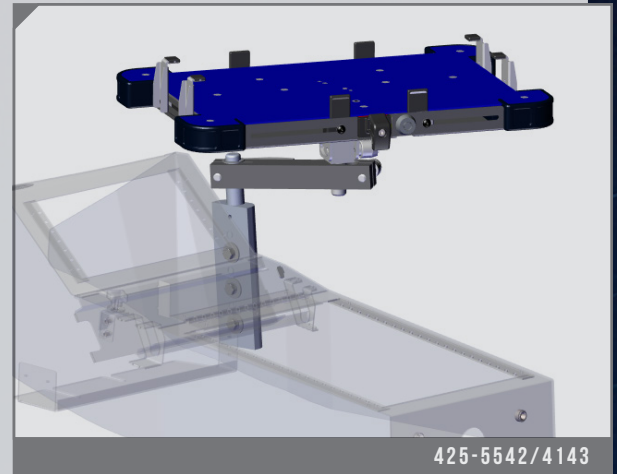
MAX DEPTH IPBCC
425-6644



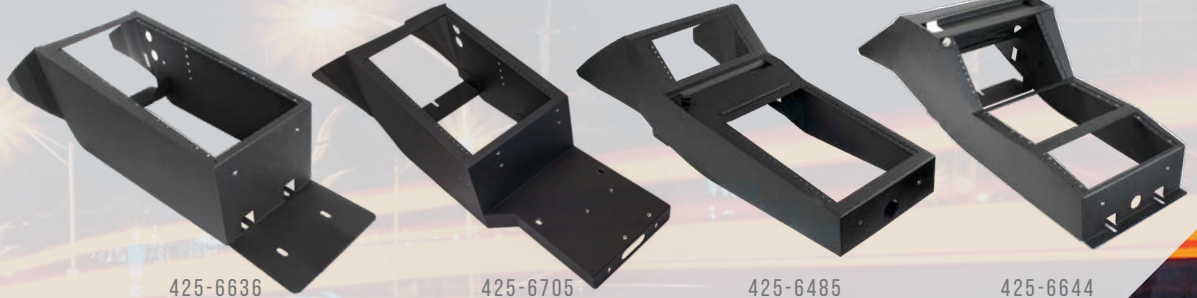
CONSOLE SIDE MOUNTS



The JOTTO DESK® Console Side Mount (CSM) features No Holes Drilled installation on the passenger side of a compatible equipment console, preserving front passenger side leg room and improving performance. The CSM offers a straight arm which enables you to comfortably use and secure a laptop using the A-MOD or other desktop.



BUILT TO FIT:



425-6636

425-6705

425-6485

425-6644

A-MOD (ADJUSTABLE-MOBILE OPERATIONS DESKTOP)

450-4147 A-MOD w/GK PLATE & SHORT CLAMPS

Width.....11.25" to 13.625"
Depth9.25" to 11" (with extensions)
Clamp Height.....0.5" to 1.10" (Short Clamp)
Weight:4.65 lbs (5.65 lbs with GK Plate)



450-4144 A-MOD XL w/GK PLATE & SHORT CLAMPS

Width.....13.5" to 16"
Depth9.25" to 11" (with extensions)
Clamp Height.....0.5" to 1.10" (Short Clamp)
Weight:5.1 lbs (6.1lbs with GK Plate)



450-4153 A-MOD XL w/GK PLATE & TALL CLAMPS

Width.....13.5" to 16"
Depth9.25" to 11" (with extensions)
Clamp Height.....1" to 2.25" (Tall Clamp)
Weight:5.1 lbs (6.1lbs with GK Plate)



450-4143 - A-MOD w/GK PLATE & TALL CLAMPS

Width.....11.25" to 13.625" Clamp Height.....1" to 2.25" (Tall Clamp)
Depth9.25" to 11" (with extensions) Weight:4.65 lbs. (5.65 lbs with GK Plate)

The A-MOD is engineered to be lightweight, yet rugged. Manufactured from steel, high strength aluminum, and composite materials where it makes sense. It's not real security if a laptop can be simply be stolen by jimmying the lock or bending the clamps. The A-MOD features a high-security solid brass tubular lock and case-hardened steel clamps.

ZRT GUNS RACK

The ZRT Gun Racks are designed for any configuration you can imagine. Partition Mounted, Single Cell Mounted, Rear Seat Mounted, Single Cell Mounted, Rear Seat Mounted or Free Standing, and Rear Hatch Mounted – Single Weapon or Dual.

- Eliminates 12V hot-wiring
- Cannot be defeated by magnets
- Zinc lock head design deforms instead of breaking
- Silicone inserts in lock head
- Protect weapon from damage
- Quickly adjust AR side along the strong extruded backbone to accommodate various stocks
- Single of dual weapon
- Plug and play lock head/timer wiring
- Compact size - 1/3 smaller than other lock heads
- Innovative slide latch recesses inside housing when accessing firearm



SMARTLOCK TECHNOLOGY

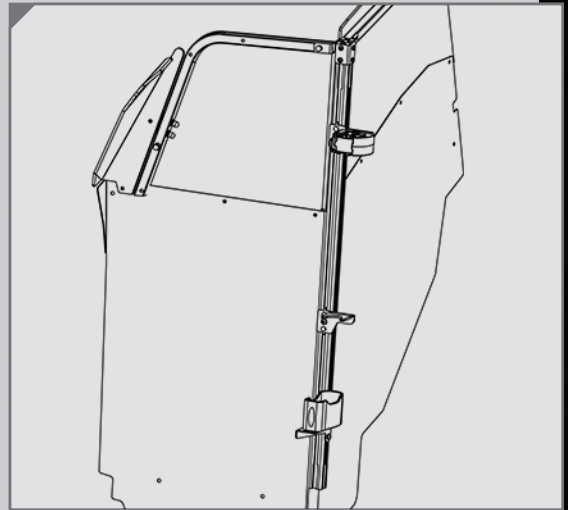


475-2010

U.S. PATENT NO. 8,910,560 AND U.S. PATENT NO. 10,563,943

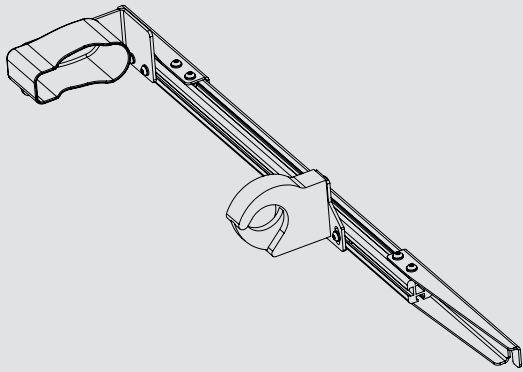


SINGLE CELL MOUNT



475-2048

REAR HATCH MOUNT



475-0964

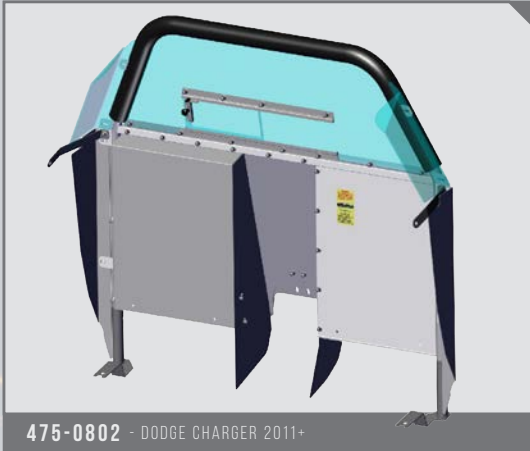


Model #	Description	Location	Weapon	Style
475-2010	GR9-ZRT-AR BLM/870	Partition	Dual	Vertical
475-2063	GR9-ZRT-AR-GL3-XL/870	Partition	Dual	Vertical
475-2015	GR9-ZRT-AR-BLM-V	Partition	Single (AR)	Vertical
475-2014	GR9-ZRT-870-V	Partition	Single (870)	Vertical
475-2054	GR9-ZRT-DUAL-AR-BLM	Partition	Dual (AR)	Vertical
475-2053	GR9-ZRT-AR SECURE	Partition	Single (AR Secure)	Vertical
475-2052	GR9-ZRT-AR SECURE-BLM/870	Partition	Dual (AR Secure)	Vertical
475-2016	GR6-ZRT-DCR-AR BLM/870	Rear Seat	Dual	Vertical
475-2036	GR7-ZRT-DCR-870	Single Cell	Single (870)	Vertical
475-2048	GR7-ZRT-AR-BLM	Single Cell	Single (AR)	Vertical
475-2047	GR7-ZRT-AR-BLM-870	Single Cell	Dual	Vertical
475-0964	GR4-DCR-GL3 XL	Trunk	Single (AR/870)	Horizontal

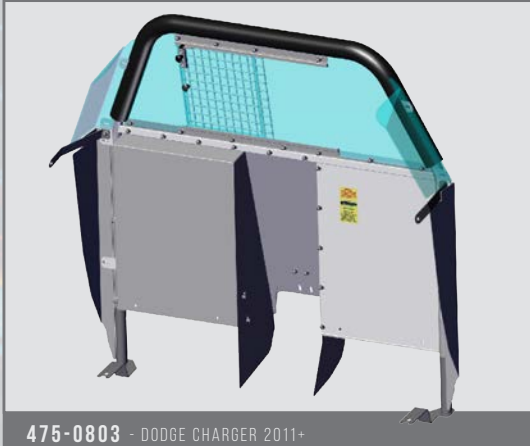
VEHICLE PARTITIONS

Keep your officers safe while transporting prisoners with Jotto Desk's line of vehicle partitions. Our system allows your department to configure the partition to maximize the officer's workspace while providing safe transport of prisoners. The partition's no holes drilled system makes installation fast and easy.

SPACE CREATOR BIDIRECTIONAL VEHICLE PARTITION



475-0802 - DODGE CHARGER 2011+



475-0803 - DODGE CHARGER 2011+

Jotto Desk originated the Space Creator Vehicle Partitions (US Patent No. 8,690,216) to transform previously unusable space to create additional leg room behind the front passenger seat. The Bidirectional Recessed Housing (BDRH) creates unparalleled leg room for even large prisoners while maintaining excellent use of officer seat for complete comfort.



UDRH UNIDIRECTIONAL VEHICLE PARTITION



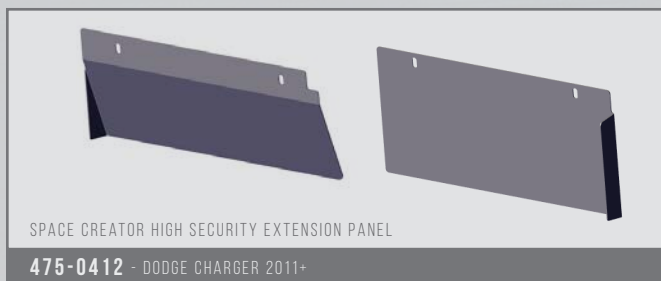
475-3001 - DODGE CHARGER 2011+



475-3002 - DODGE CHARGER 2011+

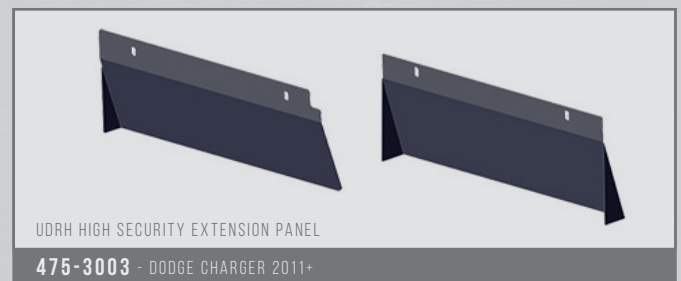
HSEP (HIGH SECURITY EXTENSION PANEL)

Enhance security by preventing rear passengers from reaching into the front of the vehicle under seats with a two-piece, steel High Security Extension Panel.



SPACE CREATOR HIGH SECURITY EXTENSION PANEL

475-0412 - DODGE CHARGER 2011+



UDRH HIGH SECURITY EXTENSION PANEL

475-3003 - DODGE CHARGER 2011+



40%
MORE VISIBILITY

HIGH SECURITY/HIGH VISIBILITY WINDOW

A High Security/High Visibility (HS/HV) Window gives officers the best of both worlds - tremendous sight lines, whether looking out the rearview or turning around. The 4"H x 11"W window allows for communication or passing of information but there won't be anyone that will squeeze through this opening. If a prisoner spits/bleeds/smears the window - it is still easily cleanable...not so with "expanded metal".

ABS SEATING

These space saving seats prohibit the accumulation and growth of body fluids and pathogens. Clean up seats quick with a spray and wipe sanitizer. When used with matching floor pan, fluids can be washed down the drain hole. Drain hole liner prevents fluid from flowing underneath floor pan. The gray color of our ABS Bio-Seat/Floor Pan help to reduce temperature buildup inside vehicle and the gray color provides ideal contrast to prevent contraband or weapons from being hidden. The design of the Seat Belt Extenders positions the latch at an upward angle and the steel cable keeps it in position for seatbelting a prisoner in. The Seat Belt Extenders have been submitted for FMVSS 209 Compliance Testing by an independent laboratory and have been approved. Meeting Federal Motor Vehicle Safety Standards is critical to the safety and success of this product, and we are proud to have met that standard.



PRISONER BIO HAZARD TRANSPORT SEAT



475-0749 - DODGE CHARGER 2011+

PRISONER BIO HAZARD TRANSPORT SEAT WITH SEAT BELT EXTENDERS



475-0322 - DODGE CHARGER 2019+

PRISONER BIO HAZARD TRANSPORT SEAT WITH FLOOR PAN



475-0232 - DODGE CHARGER 2011+

PRISONER BIO HAZARD TRANSPORT SEAT WITH FLOOR PAN & SEAT BELT EXTENDERS

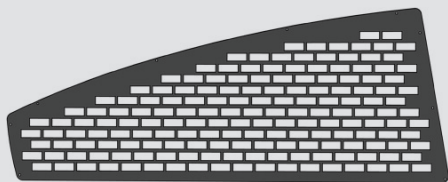


475-0323 - DODGE CHARGER 2019+

WINDOW & DOOR ARMOR

Protect your vehicles while transporting prisoners with Jotto Desk's line of Window Armor and Door Panels. The Window Armor is easy to install, prevents side windows from being kicked out and nobody can reach in or out of the prisoner compartment. Door Panels protect door mechanisms, prohibit contraband from being hidden, and are very easy to clean.

SECURE GRID STYLE WINDOW ARMOR



475-0421 - DODGE CHARGER 2011+

BAR STYLE WINDOW ARMOR



475-0228 - DODGE CHARGER 2011+

ABS DOOR PANELS



475-0231 - DODGE CHARGER 2011+

TSP
TOTAL SOLUTIONS PROVIDER



475-0420 - DODGE CHARGER 2011+

SECURE-GRID WINDOW ARMOR & DOOR PANEL PACKAGE



475-0229 - DODGE CHARGER 2011+

BAR STYLE WINDOW ARMOR & DOOR PANEL PACKAGE

SINGLE CELL

The Dodge Charger Pursuit Single Cell includes the Front Divider, Center Divider, Passenger Side Window Armor & ABS Door Panel, and an ABS BioSeat, Floor Pan and Seat Belt Extenders. The bottom 2/3 of the rear divider and center divider is powder-coated steel with a built-in HSEP for added prisoner foot room. The upper 1/3 is polycarbonate and has been designed to allow for prisoner viewing/interaction but not diminish the driver's view out the rearview mirror. The ABS Bio Seat & Floor Pan offer the benefit of biohazard and contraband control with easy clean up when needed. Rather than "force" our customers to take products that they don't need, the Jotto Desk Single Cells comes with Window Armor and an ABS Door Panel for the passenger side only.



475-0184 - DODGE CHARGER 2019+

SINGLE CELL LITE



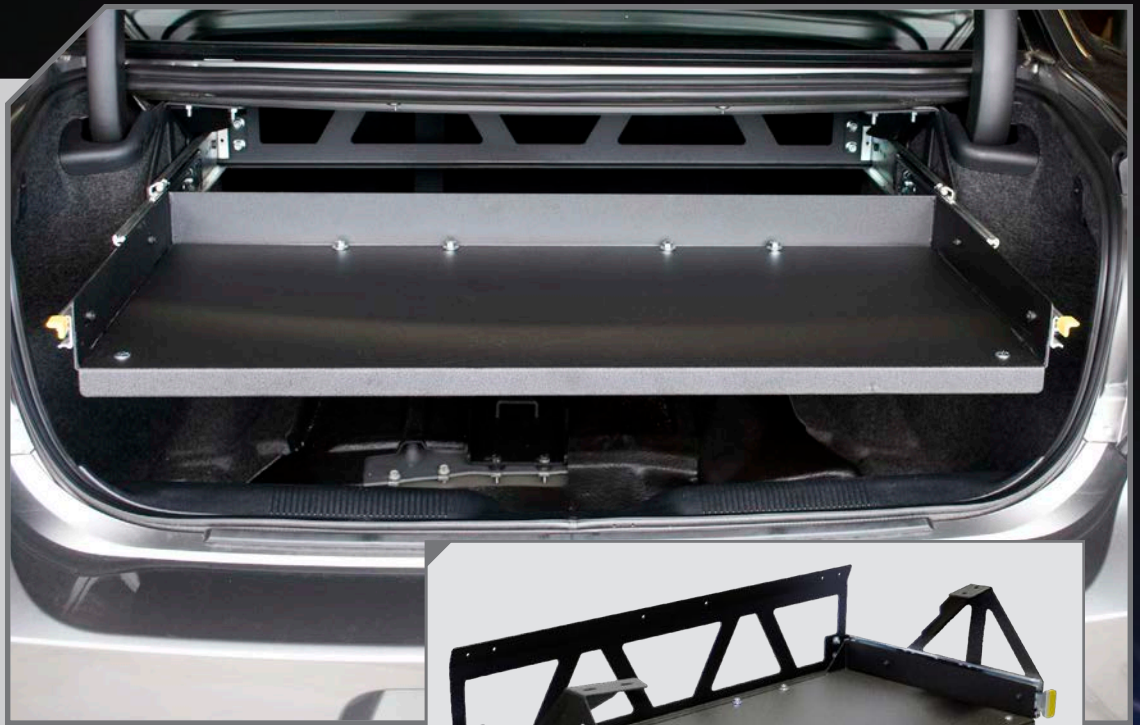
475-0986 - DODGE CHARGER 2015+

The Dodge Charger (2015+) Single Cell Lite includes the Front Divider and Center Divider. The bottom 2/3 of the rear divider and center divider is powder coated steel with a built-in HSEP for added prisoner foot room. We didn't want to give prisoners a birds-eye view of the "good guy" side of the vehicle when you don't have to. The upper 1/3 is polycarbonate and has been designed to allow for prisoner viewing/interaction but not diminish drivers view out the rear view mirror. In fact, the visibility for an officer is nothing short of amazing.

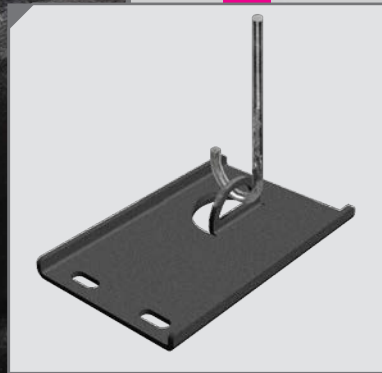


TRUNK TRAY

The Dodge Charger Pursuit Trunk Tray increases trunk storage in the unique trunk setup of the Charger. Fleet managers, installers and officers need a means of safely stowing a wide range of equipment in the trunk of their police vehicles. This storage solution will help prevent damage to the vehicle and the equipment that can occur when a vehicle is in motion. The tray is constructed of steel with heavy duty ball bearing slides and utilizes a dual locking assembly that locks tray in place in it's open and closed position.



475-8103 - DODGE CHARGER 2011+



425-3759 - DODGE CHARGER 2011+

SPARE TIRE RELOCATION KIT

This Spare Tire Relocation Kit, improves the positioning of the full sized spare tire in Dodge Charger Pursuit vehicles. This relocation ensures proper trunk tray movement and full equipment mounting capability.

SIDE MOUNT TRUNK TRAY

The Side Mount Trunk Tray increases trunk storage in the unique trunk setup of the Dodge Charger Pursuit. Fleet managers, installers, and officers need a means of safely stowing a wide range of equipment in the trunk of their police vehicles. This storage solution helps prevent damage to the vehicle and the equipment that can occur when a vehicle is in motion. The tray is constructed of steel with a treaded knob to lock assembly in place when its closed position.



425-8106 - DODGE CHARGER 2011+





SPECIAL SERVICE VEHICLE
ORDERING GUIDE

CONTOUR CONSOLES

Jotto Desk revolutionized equipment console design in 2001 with the introduction of the first Contour Console. Our teams evaluate each vehicle to design consoles that maximize available space and officer comfort while minimizing installation time. Utilizing OEM mounting points and vehicle CAD, Jotto Desk Contour Consoles fit just like an original part of the vehicle.

CONTOUR CONSOLE WITH LOCKING LID STORAGE FORD F-150 SSV (2021+)

The Contour Console with Locking Lid Storage, F-150 SSV (2018+) mounts up to 20" of equipment and includes a built-in locking lid for secure, extra storage. The OEM USB plugin will relocate if needed (may not work with all trim levels). Each console comes standard with 20" of faceplates, (1) Magnetic Mic, 28" Ford F-150 SSV/PR/F-250-550 Floor Plate.



425-6524

Length 29.125" Height..... 10.125"
 Width..... 12.5" Weight 21.25 lbs
 Rated Capacity 20" of face plates



425-6500 ... Contour Console with Locking Lid Storage Ford F-150 SSV (2018 - 2020)



12" CONTOUR CONSOLE DODGE DURANGO SSV (2019-2020)

The Contour Console, Dodge Durango SSV (2019+) has a dash contouring shape and mounts up to 12" of equipment (7" top / 5" bottom). Each console comes standard with Console, Front/Rear Mounting Brackets, 12" of Face Plates, Cup Holder, and 3" Coin Tray/Traction Control Switch Plate.



425-6655

Length 29.125" Height..... 10.125"
 Width..... 12.5" Weight 21.25 lbs
 Rated Capacity 12" of face plates



VERTICAL CONTOUR CONSOLE

VERTICAL CONTOUR CONSOLE F-150 SSV (2018-2020)

The 2018+ Ford F-150 SSV/PR and F-250-550 Vertical Dash Mount Contour Console will mount up to 9" of equipment. No drilling or cutting required.

Depth10.56" Height.....14.03"
 Width.....18.69" Weight 7.7 lbs
 Rated Capacity9" of face plates



425-6648

VERTICAL CONTOUR CONSOLE SILVERADO SSV (2019+)

Depth10.56" Height.....14.03"
 Width.....18.69" Weight 7.7 lbs
 Rated Capacity8" of face plates



425-6662



CONSOLE ACCESORIES



425-6164

- 12V/USB Outlets
- Faceplates
- Printer Mounts
- Armrests
- Floor Plates
- Storage
- Cup Holders
- UVV Littlite
- Magentic Mic Clips

DGS STANDARD CONSOLE

(DUTY GEAR SAVER)

The DGS Standard Console (Duty Gear Saver) will fit all necessary communication and lighting equipment with extra room for your duty weapon. Installation is quick and easy. No drilling required.



425-6702

Length	28.51"
Width	13.15"
Height	10.15"
Depth	10.22 - 6.69"
Weight	19.35 lbs
Rated Capacity	20" of face plates



WIDE BODY CONSOLE



425-6445

The Wide Body Standard Console mounts 20" of equipment plus a built in lock box and Magnetic Mic. Top-down installation using one of our floor plates requires no drilling.

Length	28.25"
Width	3.139"
Height	10.25"
Depth	6.436 - 10"
Weight	24.15 lbs
Rated Capacity	20" of face plates

IPB WIDE BODY CONSOLE (PENTAX/BROTHER CONSOLE)

The Integrated Pentax/Brother Wide Body Console features a custom printer mount, 14" rated capacity and lock box. Top-down installation using one of our floor plates requires no drilling.



425-6554

Length	23.69"	Depth	6.52 - 9.02"
Width.....	13.15"	Weight	23 lbs
Height.....	10.15"	Rated Capacity....	14" of face plates



WIDE BODY AR SECURE CONSOLE

The AR Secure model conceals a ZRT Gun Rack, comes with 20" of faceplates and Magnetic Mic. Top-down installation using one of our floor plates requires no drilling.



425-6491

Length	28.3"
Width.....	15.179"
Height.....	10.154"
Depth	6.671 - 13.133"
Weight	36.55 lbs
Rated Capacity	20" of face plates



STANDARD CONSOLES

9" STANDARD CONSOLE

Length 8 - 6.625"
 Width..... 8.75"
 Height..... 9.924 - 6.314"
 Weight 8.55 lbs

Rated Capacity:
 9" of face plates



425-6010

12" STANDARD CONSOLE

Length 15.5"
 Width..... 8.75"
 Height..... 10.25 - 4.25"
 Weight 10.6 lbs

Rated Capacity:
 12" of face plates



425-6011

15" STANDARD CONSOLE



Length 18"
 Width..... 8.75"
 Height..... 10.5 - 6.8"
 Weight 12.8 lbs

Rated Capacity:
 15" of face plates



425-6012



18" LAZY "L" CONSOLE

Length 21"
 Width..... 8.75"
 Height..... 11.25" - 7.375"
 Weight 12.3 lbs

Rated Capacity:
 18" of face plates

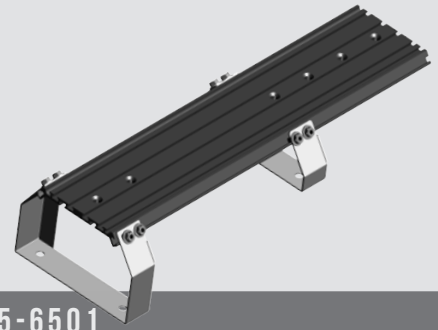


425-6232

SSV FLOOR PLATE KITS

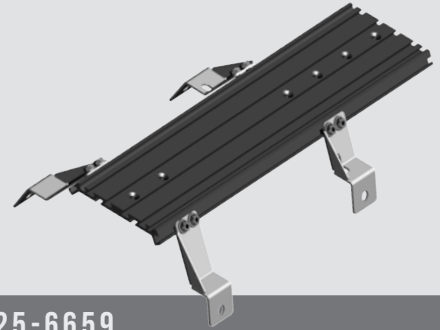
Secure Consoles and Console Accessories to your Special Service Vehicle with a "No Holes Drilled" Floor Plate Kit.

FLOOR PLATE KIT F-150 (2018+)



425-6501

FLOOR PLATE KIT SILVERADO (2019+)



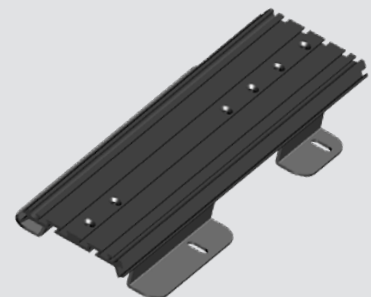
425-6659

FLOOR PLATE KIT RAM (2009+)



425-6629

UNIVERSAL FLOOR PLATE KIT



425-6203



JOTTO DESK® NO HOLES MOUNT

Field-proven over 20 years, the Jotto Desk® offers mobile professionals the best laptop mount for cars, trucks, vans, SUVs and Big Rigs.

F-150 SSV

- **Articulated Arm**
1" square x 13.375" solid aluminum; black anodized
- **Telescoping Rod**
7/8" x 8" steel with 5/8" turned swing arm rest
- **Stand**
1" x 10" 11 gauge steel, black; round stock
- **Height Variation**
21" - 25"
- **Base Mount**
3/16" gauge master, one-piece base with tapped 7/8" mounting post



425-5046/4143 - F-150 SSV (2015+)

SILVERADO SSV

- **Articulated Arm**
1" square x 13.375" solid aluminum; black anodized
- **Telescoping Rod**
7/8" x 12" steel with 5/8" turned swing arm rest
- **Stand**
1" x 10" 11 gauge steel, black; round stock
- **Height Variation**
19.43" - 24.43"
- **Base Mount**
3/16" gauge master, one-piece base with tapped 7/8" mounting post



425-5691/4143 - SILVERADO SSV (2019+)

RAM SSV

- **Articulated Arm**
1" square x 13.375" solid aluminum; black anodized
- **Telescoping Rod**
7/8" x 12" steel with 5/8" turned swing arm rest
- **Stand**
1" x 10" 11 gauge steel, black; round stock
- **Height Variation**
19" - 24"
- **Base Mount**
3/16" gauge master, one-piece base with tapped 7/8" mounting post



425-5575/4143 - RAM SSV (2009+)



DURANGO SSV

- **Articulated Arm**
1" square x 13.375" solid aluminum; black anodized
- **Telescoping Rod**
7/8" x 8" steel with 5/8" turned swing arm rest
- **Stand**
1" x 10" 11 gauge steel, black; round stock
- **Height Variation**
18.75" - 23"
- **Base Mount**
3/16" gauge master, one-piece base with tapped 7/8" mounting post



425-5600/4143 - DURANGO SSV (2011+)

HEAVY DUTY NO HOLES MOUNT



F-150 SSV

- **Heavy Duty Motion Arm**
4.25" w x 0.75" thick x 9" long;
black anodized
- **Upgraded Telescoping Rod**
1.75" x 6" steel with swing arm
- **Upgraded Stand**
2" x 15" .218 thickness, black;
round stock
- **Height Variation**
15.875" to 19.875"
- **Upgraded Base Mount**
7 gauge steel, one-piece base



425-5104/4138 - F-150 SSV (2015+)

SILVERADO SSV

- **Heavy Duty Motion Arm**
4.25" w x 0.75" thick x 9" long;
black anodized
- **Upgraded Telescoping Rod**
1.75" x 6" steel with swing arm
- **Upgraded Stand**
2" x 13" .218 thickness, black;
round stock
- **Height Variation**
16.58" to 20.58"
- **Upgraded Base Mount**
7 gauge steel, one-piece base



425-5693/4138 - SILVERADO SSV (2019+)

RAM SSV

- **Heavy Duty Motion Arm**
4.25" w x 0.75" thick x 9" long;
black anodized
- **Upgraded Telescoping Rod**
1.75" x 6" steel with swing arm
- **Upgraded Stand**
2" x 15" .218 thickness, black;
round stock
- **Height Variation**
15.875" to 19.875"
- **Upgraded Base Mount**
7 gauge steel, one-piece base



425-5107/4138 - RAM SSV (2015+)



MAMBA MOUNT CONSOLE SIDE MOUNT

Jotto Desk is upgrading and simplifying your on-duty experience with the Mamba Mount, a console side mount designed to work in each zone; **Store & Drive, Park & Work,** and **Tactically Safe.**



425-0150/4138

BUILT TO FIT:
WIDE BODY CONSOLE
425-6445



IPB WIDE BODY CONSOLE
425-6554



DGS WIDE BODY CONSOLE
425-6554

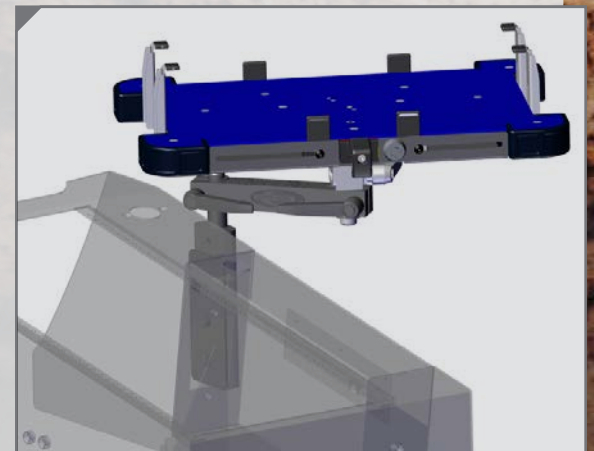


CONTOUR CONSOLE
WITH LOCKING LID STORAGE
FORD F-150 SSV (2021+)
425-6524



CONSOLE SIDE MOUNTS

The JOTTO DESK® Console Side Mount (CSM) features No Holes Drilled installation on the passenger side of a compatible equipment console, preserving front passenger side leg room and improving performance. The CSM offers a straight arm which enables you to comfortably use and secure a laptop using the A-MOD or other desktop.



425-5542/4143

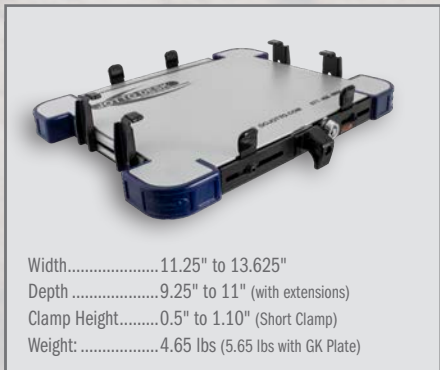


Width.....11.25" to 13.625"
 Depth9.25" to 11" (with extensions)
 Clamp Height.....1" to 2.25" (Tall Clamp)
 Weight:4.65 lbs. (5.65 lbs with GK Plate)

450-4143 - A-MOD W/TALL CLAMPS

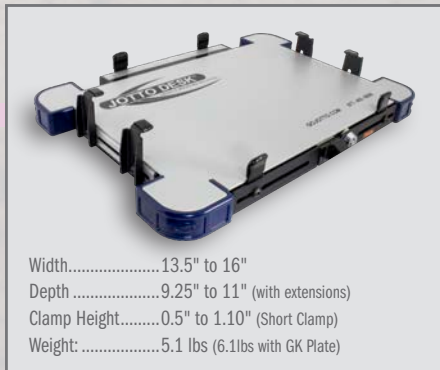
A-MOD: ADJUSTABLE-MOBILE OPERATIONS DESKTOP

The A-MOD is engineered to be lightweight, yet rugged. Manufactured from steel, high strength aluminum, and composite materials where it makes sense. It's not real security if a laptop can be simply be stolen by jimmying the lock or bending the clamps. The A-MOD features a high-security solid brass tubular lock and case-hardened steel clamps.



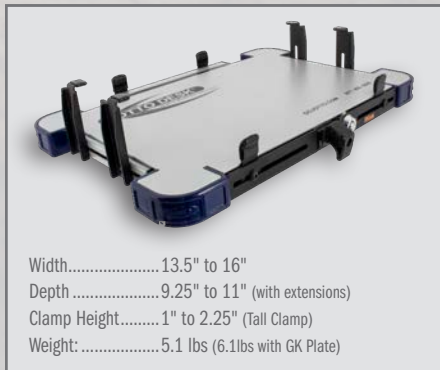
Width.....11.25" to 13.625"
 Depth9.25" to 11" (with extensions)
 Clamp Height.....0.5" to 1.10" (Short Clamp)
 Weight:4.65 lbs (5.65 lbs with GK Plate)

450-4147 - A-MOD W/SHORT CLAMPS



Width.....13.5" to 16"
 Depth9.25" to 11" (with extensions)
 Clamp Height.....0.5" to 1.10" (Short Clamp)
 Weight:5.1 lbs (6.1lbs with GK Plate)

450-4144 - A-MOD XL W/TALL CLAMPS



Width.....13.5" to 16"
 Depth9.25" to 11" (with extensions)
 Clamp Height.....1" to 2.25" (Tall Clamp)
 Weight:5.1 lbs (6.1lbs with GK Plate)

450-4153 - A-MOD XL W/SHORT CLAMPS

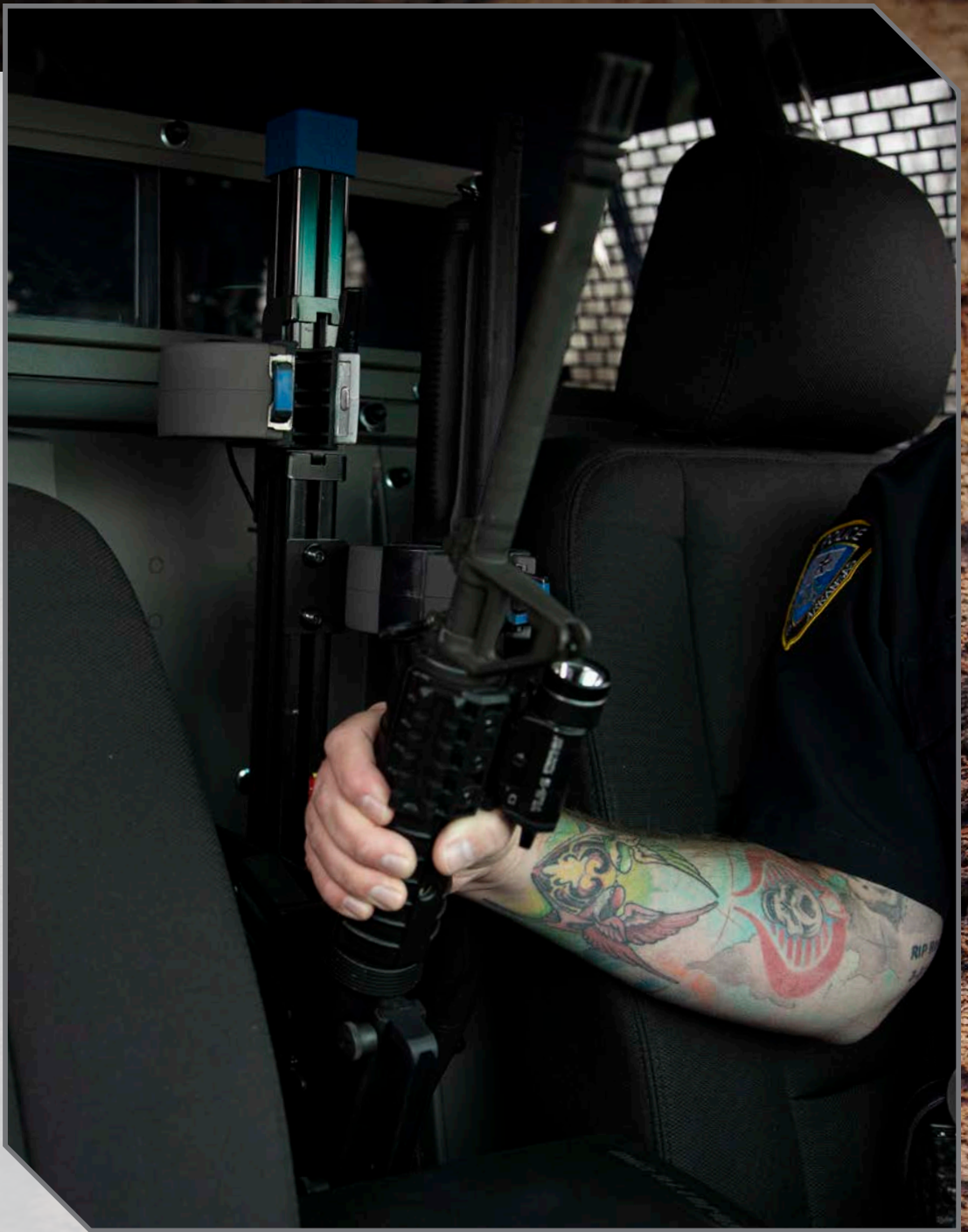
ZRT GUNS RACK

The ZRT Gun Racks are designed for any configuration you can imagine. Partition Mounted, Single Cell Mounted, Rear Seat Mounted or Free Standing, and Rear Hatch Mounted - Single Weapon or Dual.

PARTITION MOUNT



475-2010



Model #	Description	Location	Weapon	Style	SSV
475-2010	GR9-ZRT-AR BLM/870	Partition	Dual	Vertical	F-150, Silverado, Ram, Durango
475-2063	GR9-ZRT-AR-GL3-XL/870	Partition	Dual	Vertical	F-150, Silverado, Ram, Durango
475-2015	GR9-ZRT-AR-BLM-V	Partition	Single (AR)	Vertical	F-150, Silverado, Ram, Durango
475-2014	GR9-ZRT-870-V	Partition	Single (870)	Vertical	F-150, Silverado, Ram, Durango
475-2054	GR9-ZRT-AR-BLM	Partition	Dual (AR)	Vertical	F-150, Silverado, Ram, Durango
475-2052	GR9-ZRT-AR Secure-BLM/870	Partition	Ducal	Vertical	F-150, Silverado, Ram, Durango
475-2053	GR9-ZRT-AR Secure-BLM	Partition	Single (AR)	Vertical	F-150, Silverado, Ram, Durango

U.S. PATENT NO. 8,910,560 AND U.S. PATENT NO. 10,563,943

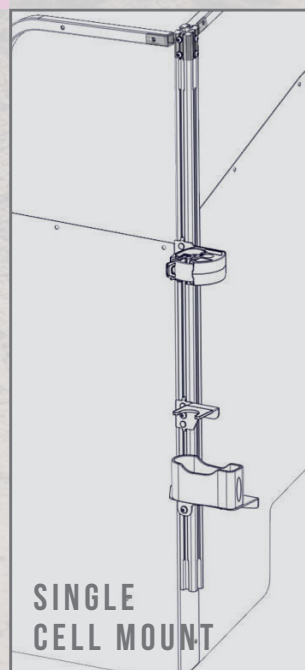


REAR SEAT MOUNT



475-2026 - F-150 SSV (2015+)

- Eliminates 12V hot-wiring
- Cannot be defeated by magnets
- Zinc lock head design deforms instead of breaking
- Silicone inserts in lock head
- Protect weapon from damage
- Quickly adjust AR side along the strong extruded backbone to accommodate various stocks
- Single or dual weapon
- Plug and play lock head/timer wiring
- Compact size - 1/3 smaller than other lock heads
- Innovative slide latch recesses inside housing when accessing firearm



SINGLE CELL MOUNT

475-2046

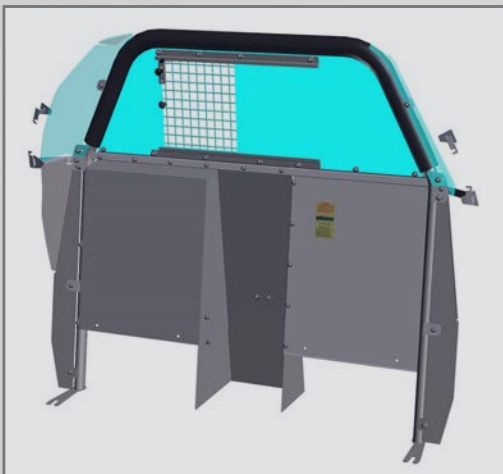


Model #	Description	Location	Weapon	Style	SSV
475-9473	GR6-ZRT-F150-2021+-AR-BLM-870	Rear Seat Mount	Dual	Vertical	F-150 SSV (2021+)
475-2026	GR6-ZRT-F150-15-20-AR BLM/870	Rear Seat Mount	Dual	Vertical	F-150 SSV (2015-2020)
475-2055	GR6-ZRT-SILVERADO-SSV-19+-AR BLM/870	Rear Seat Mount	Dual	Vertical	Silverado SSV (2019+)
475-2045	GR6-ZRT-RAM-SSV-14-19-AR BLM/870	Rear Seat Mount	Dual	Vertical	Ram SSV (2014-2019)
475-2056	GR6-ZRT-DURANGO PPV-19+-AR BLM/870	Rear Seat Mount	Dual	Vertical	Durango (2019+)
475-2038	GR7-ZRT-SUV-PICKUP-AR BLM/870	Single Cell Mount	Dual	Vertical	F150, Silverado, Ram
475-2046	GR7-ZRT-SUV-PICKUP-AR BLM	Single Cell Mount	Single	Vertical	F150, Silverado, Ram

SPACE CREATOR BIDIRECTIONAL VEHICLE PARTITION

Keep officers and prisoners safe during transport using Jotto Desk Space Creator Vehicle Partitions. The Bidirectional Recessed Housing maximizes officer workspace and prisoner legroom, building an extra layer of protection for your officer. Jotto Desk Vehicle Partitions are engineered to save time and money, utilizing the OEM mounting points instead of drilling new holes. Jotto Desk originated the Space Creator Vehicle Partition (US Patent No. 8,690,216) to transform unusable space behind the front passenger seat into extra legroom, enough to accommodate your bulkiest prisoner.

SPACE CREATOR VEHICLE PARTITION F-150 SSV (2021+)

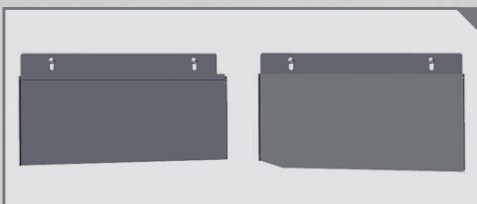


475-1811 - F-150 SSV (2021+)

HSEP

(HIGH SECURITY EXTENSION PANEL)

Enhance partition security by preventing rear passengers from reaching into the front of the vehicle under seats with a two-piece, steel High Security Extension Panel.



475-1107 - F-150 SSV (2015+)



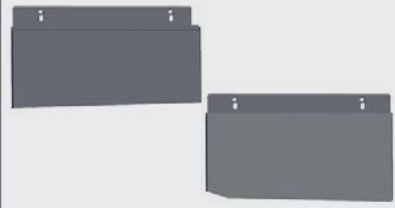
475-1810

HIGH SECURITY/HIGH VISIBILITY WINDOW

A High Security/High Visibility (HS/HV) Window gives officers the best of both worlds - tremendous sight lines, whether looking out the rearview or turning around. The 4"H x 11"W window allows for communication or passing of information but there won't be anyone that will squeeze through this opening. If a prisoner spits/bleeds/smears the window - it is still easily cleanable...not so with "expanded metal".



**SPACE CREATOR
VEHICLE PARTITION
F-150 SSV (2021+)**



475-1107

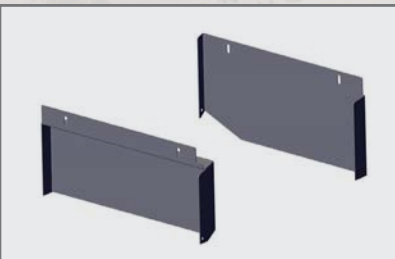


475-1810



475-1811

**SPACE CREATOR
VEHICLE PARTITION
SILVERADO SSV (2019+)**



475-1371

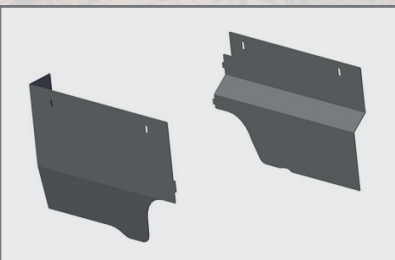


475-1355



475-1376

**SPACE CREATOR
VEHICLE PARTITION
RAM SSV (2015+)**



475-0957

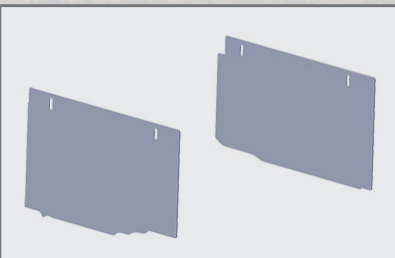


475-0936

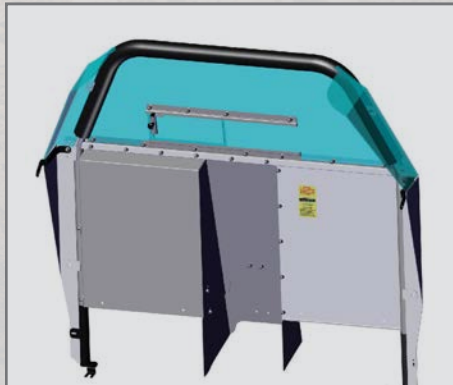


475-0937

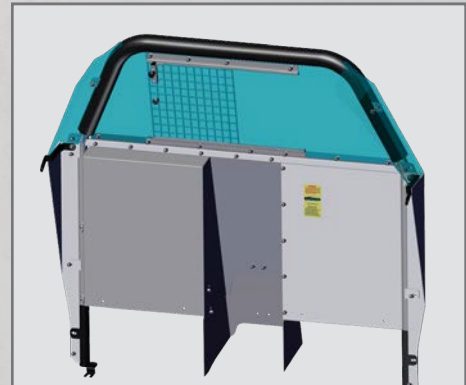
**SPACE CREATOR
VEHICLE PARTITION
DURANGO SSV (2014+)**



475-8848



475-0965



475-0966

SINGLE CELL LITE

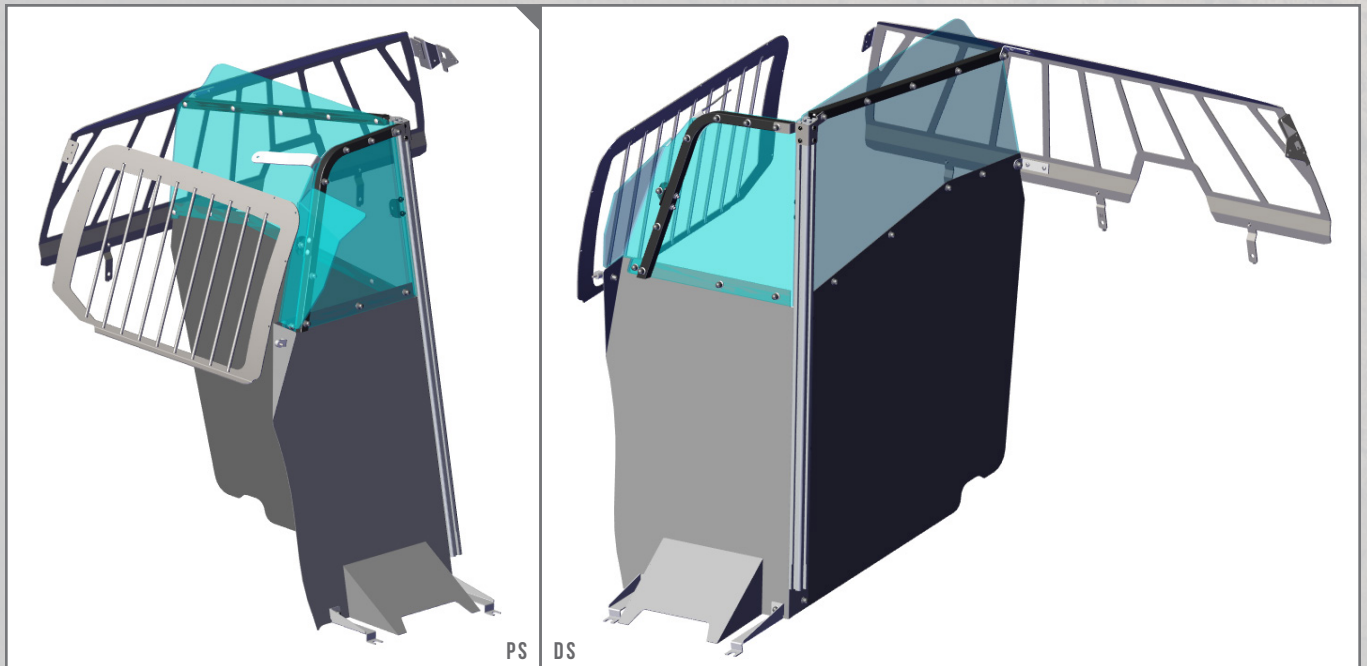
The Single Cell Lite the Front Divider, Center Divider, Rear Window Armor and Door Window Armor. Jotto Desk realized the extreme challenge facing agencies in regard to the rear seat area of pickups and has created a solution for prisoner containment in those vehicles. The bottom 2/3 of the front divider and center divider is powder coated steel with a built-in HSEP for added prisoner foot room. We didn't want to give prisoners a birds-eye view of the "good guy" side of the vehicle when you don't have to.



The upper 1/3 is polycarbonate and has been designed to allow for prisoner viewing/interaction but not diminish drivers view out the rear view mirror. In fact, the visibility for an officer is nothing short of amazing.



SINGLE CELL LITE F150 SSV (2021+)

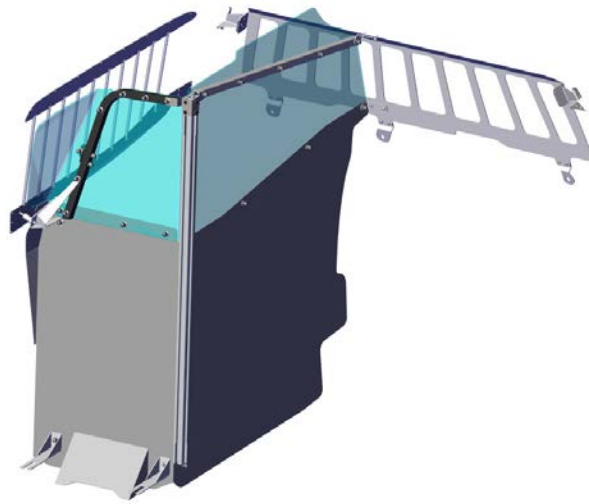


475-1812

SINGLE CELL LITE SILVERADO SSV (2019+)

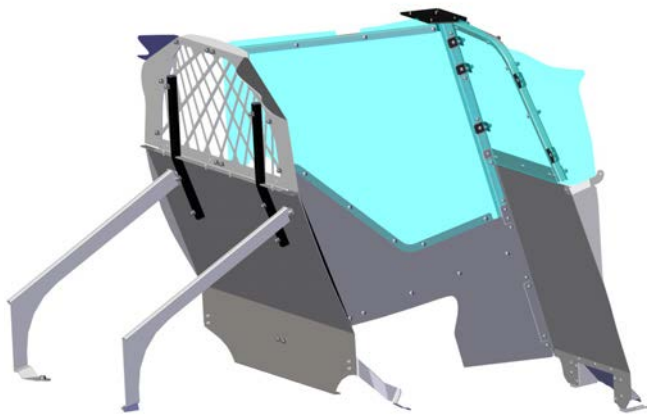


PS DS



475-1380

SINGLE CELL LITE DURANGO SSV (2021+)



PS DS



475-1765

SINGLE CELL LITE RAM SSV (2014 - 2019)



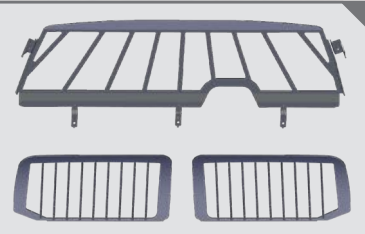
PS DS



475-1267

DOOR & REAR WINDOW ARMOR PACKAGE

You can now protect your SSV while transporting prisoners with Jotto Desk's line of Window Armor. The Window Armor is easy to install, prevents windows from being kicked out, and limits reach in or out of the prisoner compartment.

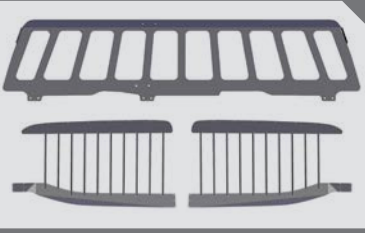


475-9181

DOOR & WINDOW ARMOR PACKAGE F-150 SSV (2016+)

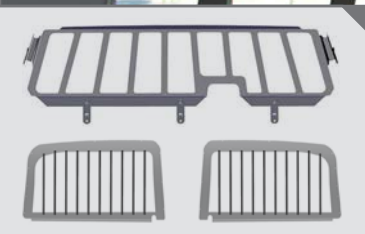


DOOR & WINDOW ARMOR PACKAGE SILVERADO SSV (2019+)



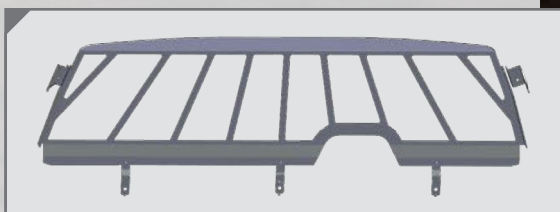
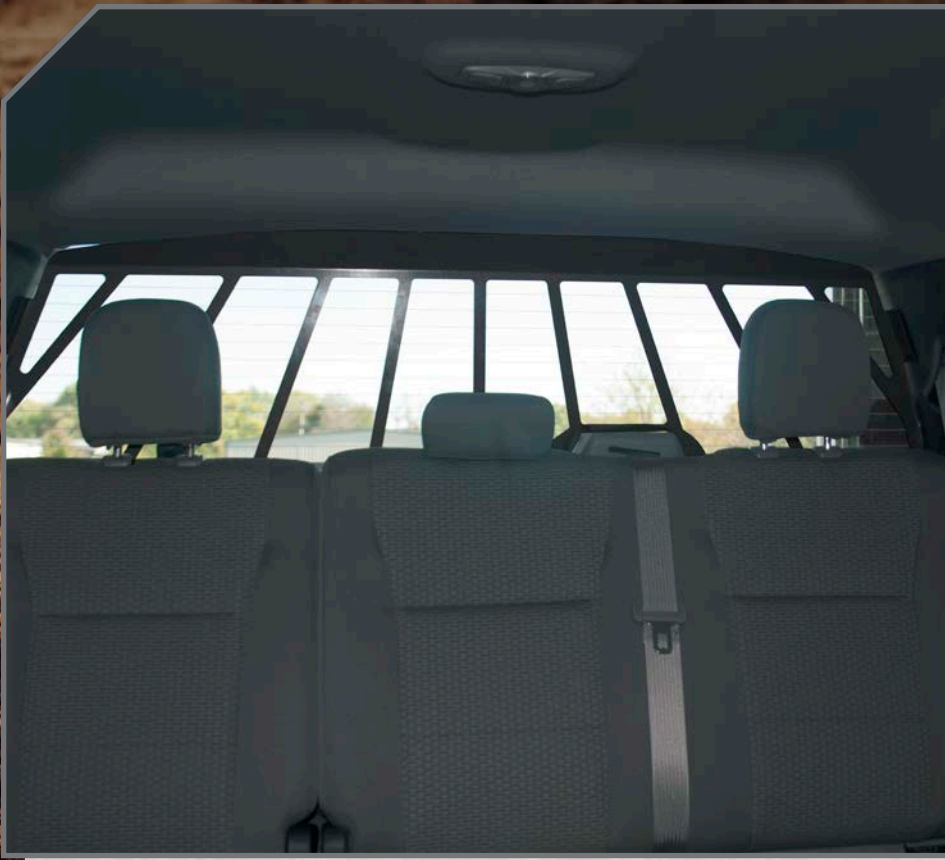
475-1404

DOOR & WINDOW ARMOR PACKAGE RAM SSV (2015-2019)



475-1170

REAR WINDOW ARMOR



475-1168 - F-150 SSV (2016+)



475-1407 - SILVERADO SSV (2019+)

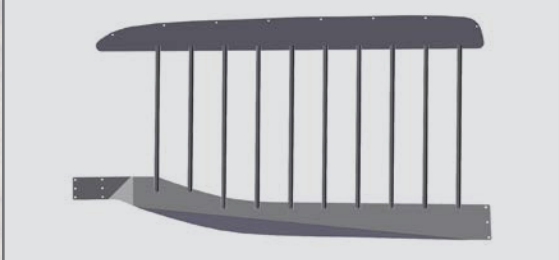


475-9196 - RAM SSV (2015+)

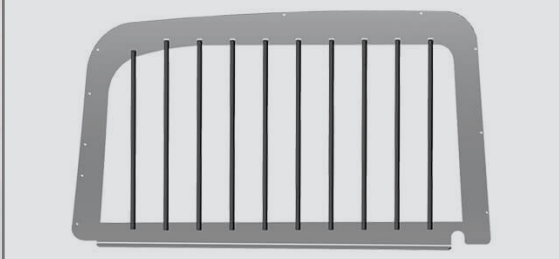
DOOR WINDOW ARMOR



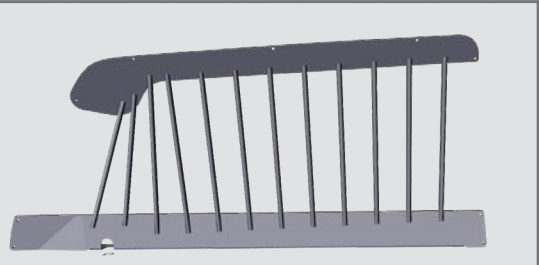
475-1167 - F-150 SSV (2016+)



475-1372 - SILVERADO SSV (2019+)



475-9197 - RAM SSV (2015+)



475-1417 - DURANGO SSV (2019+)



TSP

TOTAL SOLUTIONS PROVIDER

