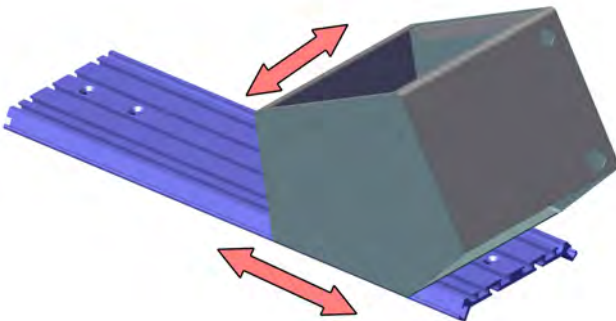
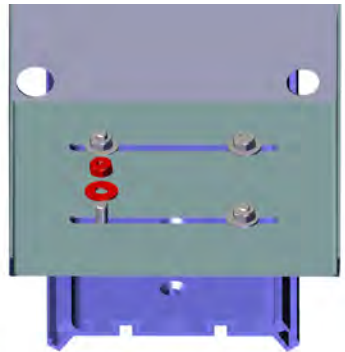


**Step 1**

Slide 2-3 hex head bolts along each of the top outer channels.

**Step 2**

Align the bolts with the slots located at the bottom of the console. Use the provided washers and nylock nuts to attach the console. Finger tighten.



**Step 3**

Adjust the console by sliding along the floor plate to desired position, keeping clear from devices in the dash area. Console can be