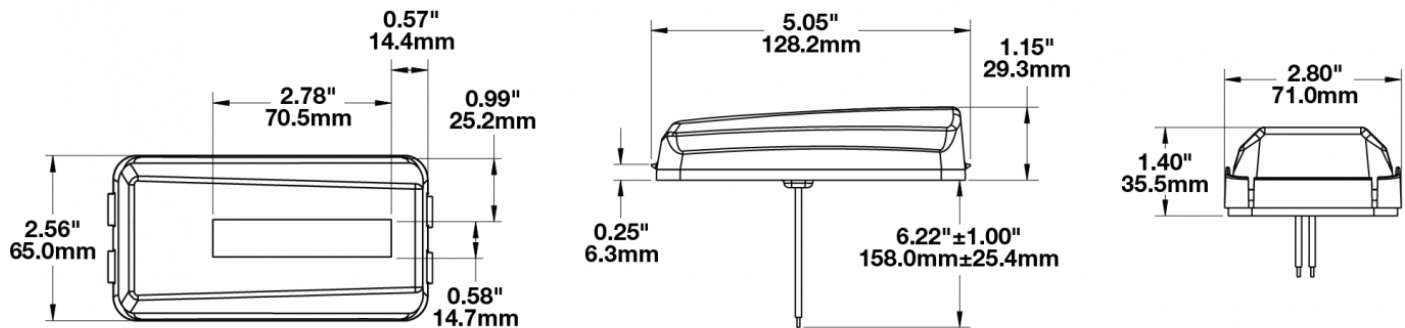




**PRODUCT INFORMATION**

<b>Description</b>	12-24V ECE/SAE LED Amber Side Turn Signal with Mount
<b>Height</b>	128.27 (mm) / 5.05 (in)
<b>Width</b>	71.12 (mm) / 2.8 (in)
<b>Depth</b>	35.56 (mm) / 1.4 (in)
<b>Shape</b>	Rectangular
<b>Outer Lens Material</b>	Acrylic
<b>Outer Lens Color</b>	Amber
<b>Housing Material</b>	ABS
<b>Housing Color</b>	Black
<b>Mounting Type</b>	Low Profile Mount
<b>Minimum Operating Temperature</b>	-40 (°C) / -40 (°F)
<b>Maximum Operating Temperature</b>	65 (°C) / 149 (°F)
<b>Spec Sheet Printed</b>	2016-07-07

**PRODUCT DIMENSIONS**



**ELECTRICAL SPECIFICATIONS**

<b>Input Voltage</b>	12-24 V DC
<b>Red Wire</b>	Turn
<b>Yellow Wire</b>	Side
<b>Black Wire</b>	Negative
<b>Current Draw</b>	0.41A @ 12V DC 0.2A @ 24V DC

**REGULATORY STANDARDS COMPLIANCE**



Buy America Standards

Eco Friendly

IEC IP67

SAE J592

ECE Reg 6

FMVSS 108 Table X

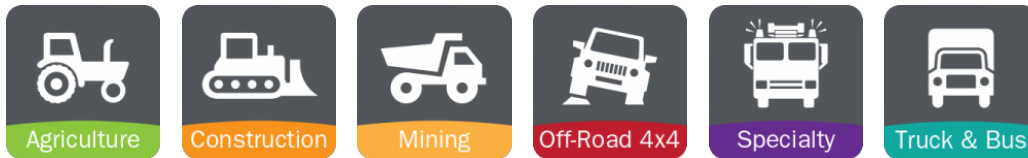
SAE J2042

SAE J914

**PHOTOMETRIC SPECIFICATIONS**

<b>Beam Pattern(s)</b>	Signalization - Turn (Front) Signalization - Turn (Rear)
------------------------	---

**APPLICATIONS**



**RELATED PRODUCTS**



[Part Number 0344301](#)

**12-24V ECE/SAE LED Clear  
Side Turn Signal with  
Mount**



[Part Number 0344461](#)

**12-24V ECE/SAE LED  
Amber Side Marker/Side  
Turn Signal**