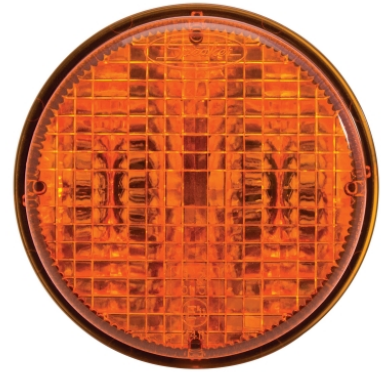


LED Signal Lights - Model 217

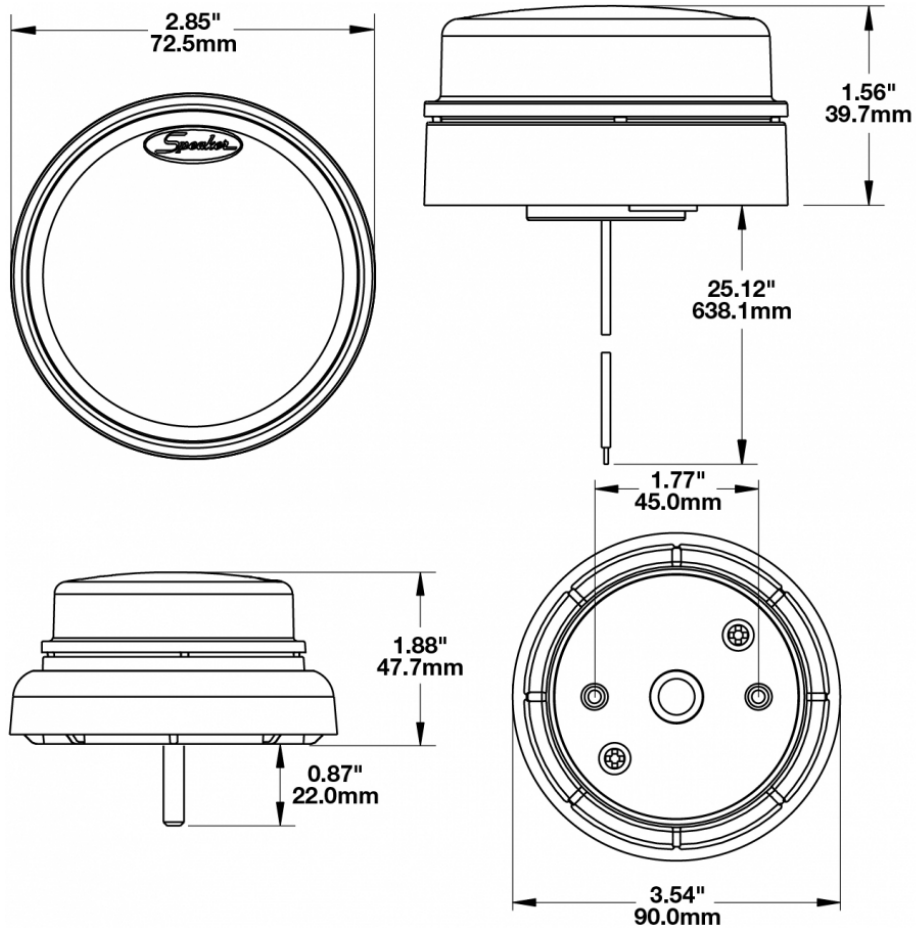
PRODUCT INFORMATION

Description	12-24V SAE/ECE LED Turn Signal without 90mm Mounting Assembly Adapter
Height	72.39 mm / 2.85 in
Width	72.39 mm / 2.85 in
Depth	39.62 mm / 1.56 in
Shape	Round
Outer Lens Material	Polycarbonate
Outer Lens Color	Amber
Housing Material	Polycarbonate
Housing Color	Black
Mounting Hardware Description	(x2) #8-1/2" x Screws
Mounting Type	Universal Mount
Minimum Operating Temperature	-40 °C / -40 °F
Maximum Operating Temperature	65 °C / 149 °F
Connector or Wiring	610mm Cable
Product Weight	0.20 lbs / 0.09 kgs
Shipping Weight	0.23 lbs / 0.1 kgs



LED Signal Lights - Model 217

PRODUCT DIMENSIONS



ELECTRICAL SPECIFICATIONS

Input Voltage	12-24V DC
Black Wire	Ground
Red Wire	Turn
Current Draw	0.20A @ 12V DC 0.10A @ 24V DC

LED Signal Lights - Model 217

REGULATORY STANDARDS COMPLIANCE



Buy America Standards	ECE Reg 6
Eco Friendly	FMVSS 108 s7.1 (Table VI)
FMVSS 108 s7.1 (Table VII)	IEC IP67

PHOTOMETRIC SPECIFICATIONS

Beam Pattern(s) Signalization - Turn (Front)
 Signalization - Turn (Rear)

APPLICATIONS



LED Signal Lights - Model 217

RELATED PRODUCTS



Part Number
0345411

12-24V SAE/ECE LED
Stop & Tail Light
without 90mm
Mounting Assembly
Adapter



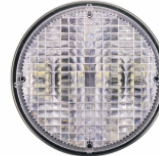
Part Number
0345421

12-24V SAE/ECE LED
Backup Light without
90mm Mounting
Assembly Adapter



Part Number
0345451

12-24V SAE/ECE LED
DRL & Front Position
Light without 90mm
Mounting Assembly
Adapter



Part Number
0345461

12-24V SAE/ECE LED
DRL & Front Position
Light with 90mm
Mounting Assembly
Adapter



Part Number
0345521

12-24V SAE/ECE LED
Turn Signal with 90mm
Mounting Assembly
Adapter