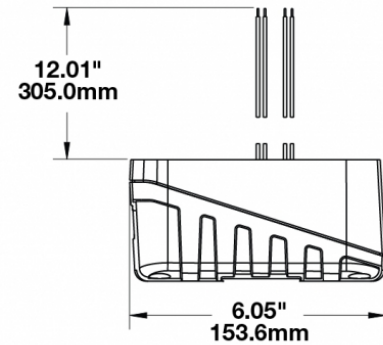
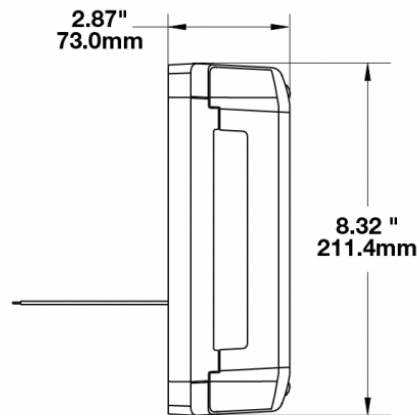
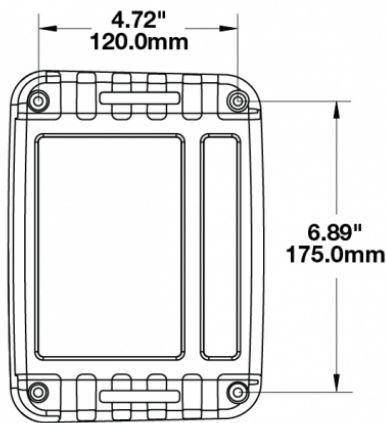




PRODUCT INFORMATION

Description	12-24V DOT LED Tail Light - 2 Light Kit
Height	210.31 (mm) / 8.28 (in)
Width	153.67 (mm) / 6.05 (in)
Depth	87.12 (mm) / 3.43 (in)
Shape	Rectangular
Outer Lens Material	Acrylic
Outer Lens Color	Clear
Housing Material	Polycarbonate
Housing Color	Black
Bezel Color	Black

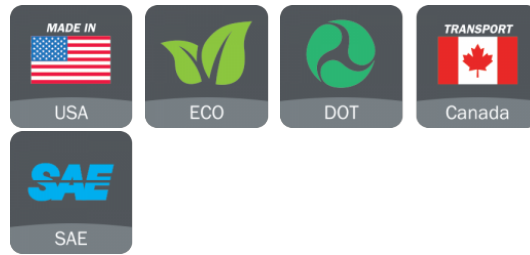
PRODUCT DIMENSIONS



ELECTRICAL SPECIFICATIONS

Input Voltage	12-24 V AC
Operating Voltage	9-32 V AC
Black Wire	Ground
Purple Wire	Tail
Yellow Wire	Stop
Green Wire	Reverse
Current Draw	0.370A @ 12V AC (Stop) 0.220A @ 24V AC (Stop) 0.100A @ 12V AC (Tail) 0.089A @ 24V AC (Tail) 0.130A @ 12V AC (Reverse) 0.100A @ 24V AC (Reverse)

REGULATORY STANDARDS COMPLIANCE



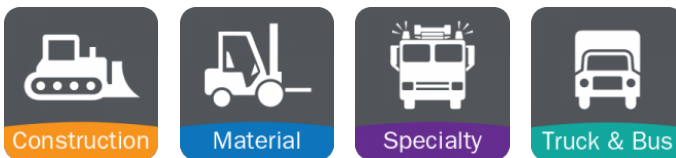
Buy America Standards
FMVSS 108 Table IX
FMVSS 108 Table VIII
FMVSS 108 Table XII
SAE J585
SAE J588

Eco Friendly
FMVSS 108 Table VII
FMVSS 108 Table X
FMVSS 108 Table XVI
SAE J586
SAE J592

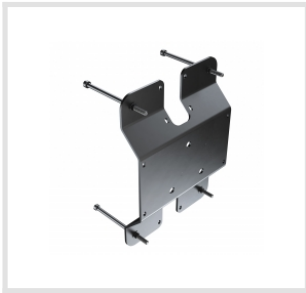
PHOTOMETRIC SPECIFICATIONS

Beam Pattern(s)	Signalization - Stop Signalization - Tail Signalization - Turn (Rear)
------------------------	---

APPLICATIONS



ACCESSORIES



[Part Number 8200231](#)

**Mounting Kit for Model
279 - 2 Light Kit**

RELATED PRODUCTS



[Part Number 0347563](#)

**12-24V ECE LED Tail Light
- 2 Light Kit**