

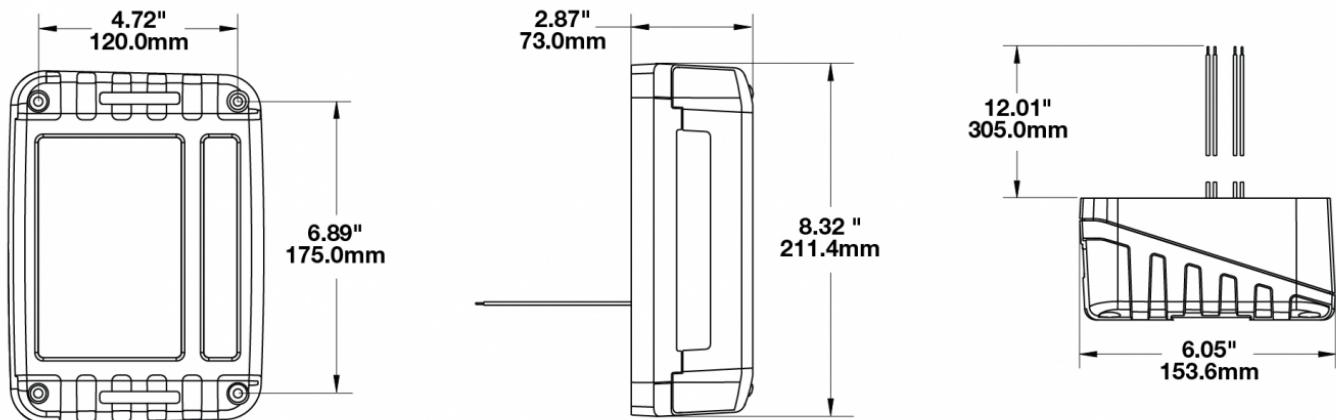
LED Tail Lights - Model 279

PRODUCT INFORMATION

Description	12-24V ECE LED Tail Light - 2 Light Kit
Height	210.31 mm / 8.28 in
Width	153.67 mm / 6.05 in
Depth	87.12 mm / 3.43 in
Shape	Rectangular
Outer Lens Material	Acrylic
Outer Lens Color	Clear
Housing Material	Polycarbonate
Housing Color	Black
Bezel Color	Black
Product Weight	6.40 lbs / 2.9 kgs
Shipping Weight	6.40 lbs / 2.9 kgs



PRODUCT DIMENSIONS



LED Tail Lights - Model 279

ELECTRICAL SPECIFICATIONS

Input Voltage	12-24V DC
Operating Voltage	9-32V DC
Black Wire	Ground
Purple Wire	Tail
Yellow Wire	Turn
Green Wire	Reverse
Red Wire	Stop
Current Draw	0.082A @ 12V DC (Tail) 0.082A @ 24V DC (Tail) 0.253A @ 12V DC (Stop) 0.138A @ 24V DC (Stop) 0.321A @ 12V DC (Turn) 0.168A @ 24V DC (Turn) 0.134A @ 12V DC (Reverse) 0.100A @ 24V DC (Reverse)

REGULATORY STANDARDS COMPLIANCE



Buy America Standards	ECE Reg 23
ECE Reg 3	ECE Reg 6
ECE Reg 7	ECE Reg 91
Eco Friendly	IEC IP67

PHOTOMETRIC SPECIFICATIONS

Beam Pattern(s)	Signalization - Stop Signalization - Tail Signalization - Turn (Rear)
------------------------	---

LED Tail Lights - Model 279

APPLICATIONS



ACCESSORIES



Part Number

8200231

Mounting Kit for Model
279 - 2 Light Kit

RELATED PRODUCTS



Part Number

0347553

12-24V DOT LED Tail
Light - 2 Light Kit