

LED Tail Lights - Model 234

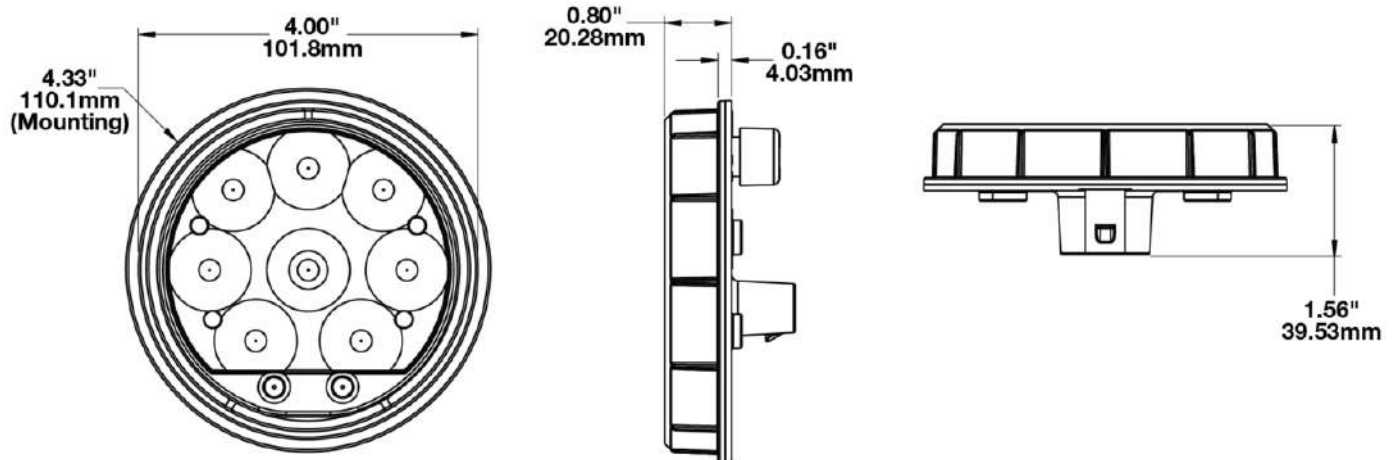
PRODUCT INFORMATION

Description	12-24V DOT LED Non-Heated Stop, Tail, & Turn Light
Height	20.28 mm / 0.8 in
Width	110.14 mm / 4.34 in
Depth	39.53 mm / 1.56 in
Shape	Round
Outer Lens Material	Polycarbonate
Outer Lens Color	Clear
Housing Material	Polycarbonate
Housing Color	Black
Bezel Color	Red
Mounting Type	Grommet
Connector or Wiring	Bare Leads
Mating Connector	None. 3-Pin AMP Connector (#282087-1) sold separately.
Product Weight	0.30 lbs / 0.14 kgs
Shipping Weight	0.47 lbs / 0.21 kgs
Additional Information	Installation requires the third wire (for the heater) to be connected in order for the heater to work. Turn off power before installing.



LED Tail Lights - Model 234

PRODUCT DIMENSIONS



ELECTRICAL SPECIFICATIONS

Input Voltage	12-24V DC
Operating Voltage	9-32V DC
Current Draw	1.3A @ 12V DC (Turn) .7A @ 24V DC (Turn) .9A @ 12V DC (Heater) .5A @ 24V DC (Heater)

REGULATORY STANDARDS COMPLIANCE



FMVSS 108 Table VII
SAE J585
SAE J588

IEC IP69K
SAE J586

LED Tail Lights - Model 234

PHOTOMETRIC SPECIFICATIONS

Effective Lumen Output	54
Beam Pattern(s)	Signalization - Tail Signalization - Turn (Rear)

APPLICATIONS



ACCESSORIES



Part Number
4242731
4" Round Rubber Mounting Grommet for Model 234



Part Number
5869401
4" Round Plastic Mounting Flange for Model 234



Part Number
8200441
4" Round Stainless Steel Trim Ring for Model 234



Part Number
8200451
4" Round Chrome Plastic Trim Ring for Model 234



Part Number
3270501
3-Pin AMP Connector (#282087-1) Wire Harness Assembly

LED Tail Lights - Model 234

RELATED PRODUCTS



Part Number
0346261
12-24V DOT LED
Heated Red Stop, Tail,
& Turn Light



Part Number
0346264
12-24V DOT LED
Heated Red Stop, Tail,
& Turn Light Kit with
Harness



Part Number
0346421
12-48V DOT LED Non-
Heated Stop & Tail
Light



Part Number
0346471
12-24V DOT LED
Heated White Reverse
Light



Part Number
0346474
12-24V DOT LED
Heated White Reverse
Light Kit with Harness



Part Number
0347811
12-24V DOT LED
Heated Amber Turn
Signal



Part Number
0347814
12-24V DOT LED
Heated Amber Turn
Signal Kit with Harness



Part Number
0347864
12-24V DOT LED Non-
Heated Stop, Tail, &
Turn Light Kit with
Harness