

LED Tail Lights - Model 234

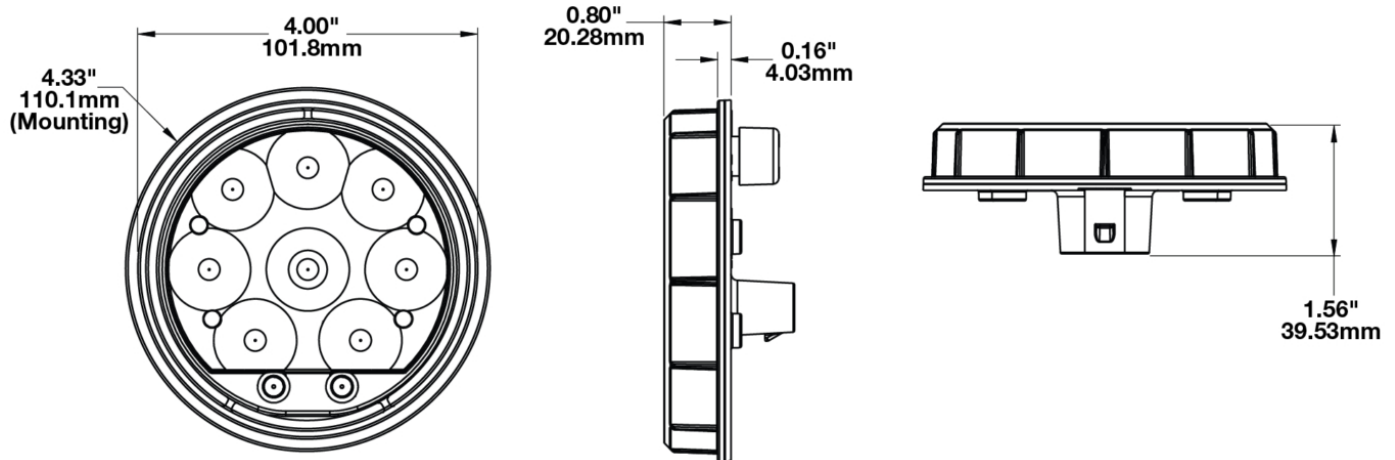
PRODUCT INFORMATION

Description	12-24V DOT LED Non-Heated Turn Signal
Height	20.28 mm / 0.8 in
Width	110.14 mm / 4.34 in
Depth	39.53 mm / 1.56 in
Shape	Round
Outer Lens Material	Polycarbonate
Outer Lens Color	Clear
Housing Material	Polycarbonate
Housing Color	Black
Bezel Color	Amber
Mounting Type	Grommet
Connector or Wiring	Bare Leas
Mating Connector	None. 3-Pin AMP Connector (#282087-1) sold separately.
Product Weight	0.30 lbs / 0.14 kgs
Shipping Weight	0.47 lbs / 0.21 kgs
Additional Information	Installation requires the third wire (for the heater) to be connected in order for the heater to work. Turn off power before installing.



LED Tail Lights - Model 234

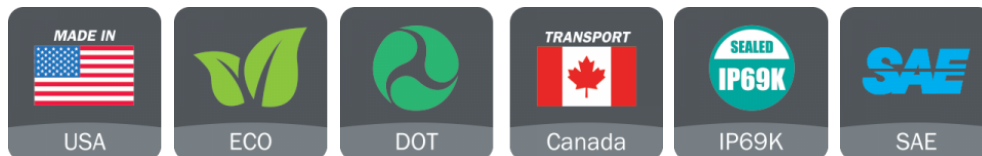
PRODUCT DIMENSIONS



ELECTRICAL SPECIFICATIONS

Input Voltage	12-24V DC
Operating Voltage	9-32V DC
Current Draw	1.3A @ 12V DC (Turn) .7A @ 24V DC (Turn) .9A @ 12V DC (Heater) .5A @ 24V DC (Heater)

REGULATORY STANDARDS COMPLIANCE



Buy America Standards
FMVSS 108 s7.1 (Table VII)
SAE J588

Eco Friendly
IEC IP69K

LED Tail Lights - Model 234

PHOTOMETRIC SPECIFICATIONS

Effective Lumen Output 7
Beam Pattern(s) Signalization - Tail

APPLICATIONS



ACCESSORIES



Part Number
4242731
4" Round Rubber
Mounting Grommet
for Model 234



Part Number
5869401
4" Round Plastic
Mounting Flange for
Model 234



Part Number
8200441
4" Round Stainless
Steel Trim Ring for
Model 234



Part Number
8200451
4" Round Chrome
Plastic Trim Ring for
Model 234



Part Number
3270501
3-Pin AMP Connector
Wire Harness
Assembly

LED Tail Lights - Model 234

RELATED PRODUCTS



Part Number
0346261

12-24V DOT LED
Heated Red Stop, Tail,
& Turn Light



Part Number
0346264

12-24V DOT LED
Heated Red Stop, Tail,
& Turn Light Kit with
Harness



Part Number
0346421

12-48V DOT LED Non-
Heated Stop & Tail
Light



Part Number
0346471

12-24V DOT LED
Heated White Reverse
Light



Part Number
0346474

12-24V DOT LED
Heated White Reverse
Light Kit with Harness



Part Number
0347811

12-24V DOT LED
Heated Amber Turn
Signal



Part Number
0347814

12-24V DOT LED
Heated Amber Turn
Signal Kit with Harness



Part Number
0347861

12-24V DOT LED Non-
Heated Stop, Tail, &
Turn Light