

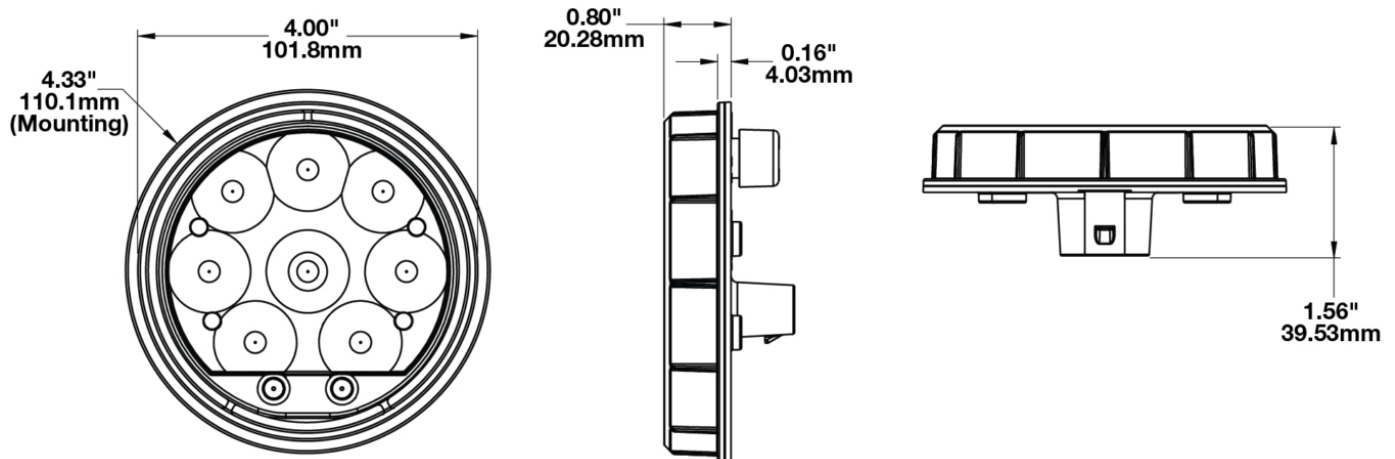
# LED Tail Lights - Model 234

## PRODUCT INFORMATION

<b>Description</b>	12-24V DOT LED Non-Heated Reverse Light Kit with Harness
<b>Height</b>	42.55 mm / 1.68 in
<b>Width</b>	110.14 mm / 4.34 in
<b>Depth</b>	20.28 mm / 0.8 in
<b>Shape</b>	Round
<b>Outer Lens Material</b>	Polycarbonate
<b>Outer Lens Color</b>	Clear
<b>Housing Material</b>	Polycarbonate
<b>Housing Color</b>	Black
<b>Connector or Wiring</b>	AMP 282087-1
<b>Mating Connector</b>	3-Pin AMP Connector (#282087-1)
<b>Product Weight</b>	0.34 lbs / 0.15 kgs
<b>Shipping Weight</b>	0.51 lbs / 0.23 kgs



## PRODUCT DIMENSIONS

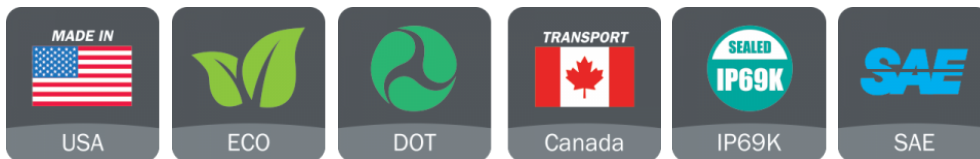


# LED Tail Lights - Model 234

## ELECTRICAL SPECIFICATIONS

<b>Input Voltage</b>	12-24V DC
<b>Operating Voltage</b>	10-32V DC
<b>White Wire</b>	Ground
<b>Black Wire</b>	Heater
<b>Red Wire</b>	Turn
<b>Current Draw</b>	1.3A @ 12V DC (Reverse) .7A @ 24V DC (Reverse) .9A @ 12V DC (Heater) .5A @ 24V DC (Heater)

## REGULATORY STANDARDS COMPLIANCE



Buy America Standards  
FMVSS 108 Table VII  
SAE J593

Eco Friendly  
IEC IP69K

## PHOTOMETRIC SPECIFICATIONS

**Effective Lumen Output**      7

## APPLICATIONS



# LED Tail Lights - Model 234

## ACCESSORIES

---



**Part Number**  
**4242731**  
4" Round Rubber  
Mounting Grommet  
for Model 234



**Part Number**  
**5869401**  
4" Round Plastic  
Mounting Flange for  
Model 234



**Part Number**  
**8200441**  
4" Round Stainless  
Steel Trim Ring for  
Model 234



**Part Number**  
**8200451**  
4" Round Chrome  
Plastic Trim Ring for  
Model 234



**Part Number**  
**3270501**  
3-Pin AMP Connector  
(#282087-1) Wire  
Harness Assembly

## RELATED PRODUCTS

---



**Part Number**  
**0346261**  
12-24V DOT LED  
Heated Red Stop, Tail,  
& Turn Light



**Part Number**  
**0346264**  
12-24V DOT LED  
Heated Red Stop, Tail,  
& Turn Light Kit with  
Harness



**Part Number**  
**0346421**  
12-48V DOT LED Non-  
Heated Stop & Tail  
Light



**Part Number**  
**0346471**  
12-24V DOT LED  
Heated White Reverse  
Light



**Part Number**  
**0346474**  
12-24V DOT LED  
Heated White Reverse  
Light Kit with Harness



**Part Number**  
**0347811**  
12-24V DOT LED  
Heated Amber Turn  
Signal



**Part Number**  
**0347814**  
12-24V DOT LED  
Heated Amber Turn  
Signal Kit with Harness



**Part Number**  
**0347861**  
12-24V DOT LED Non-  
Heated Stop, Tail, &  
Turn Light