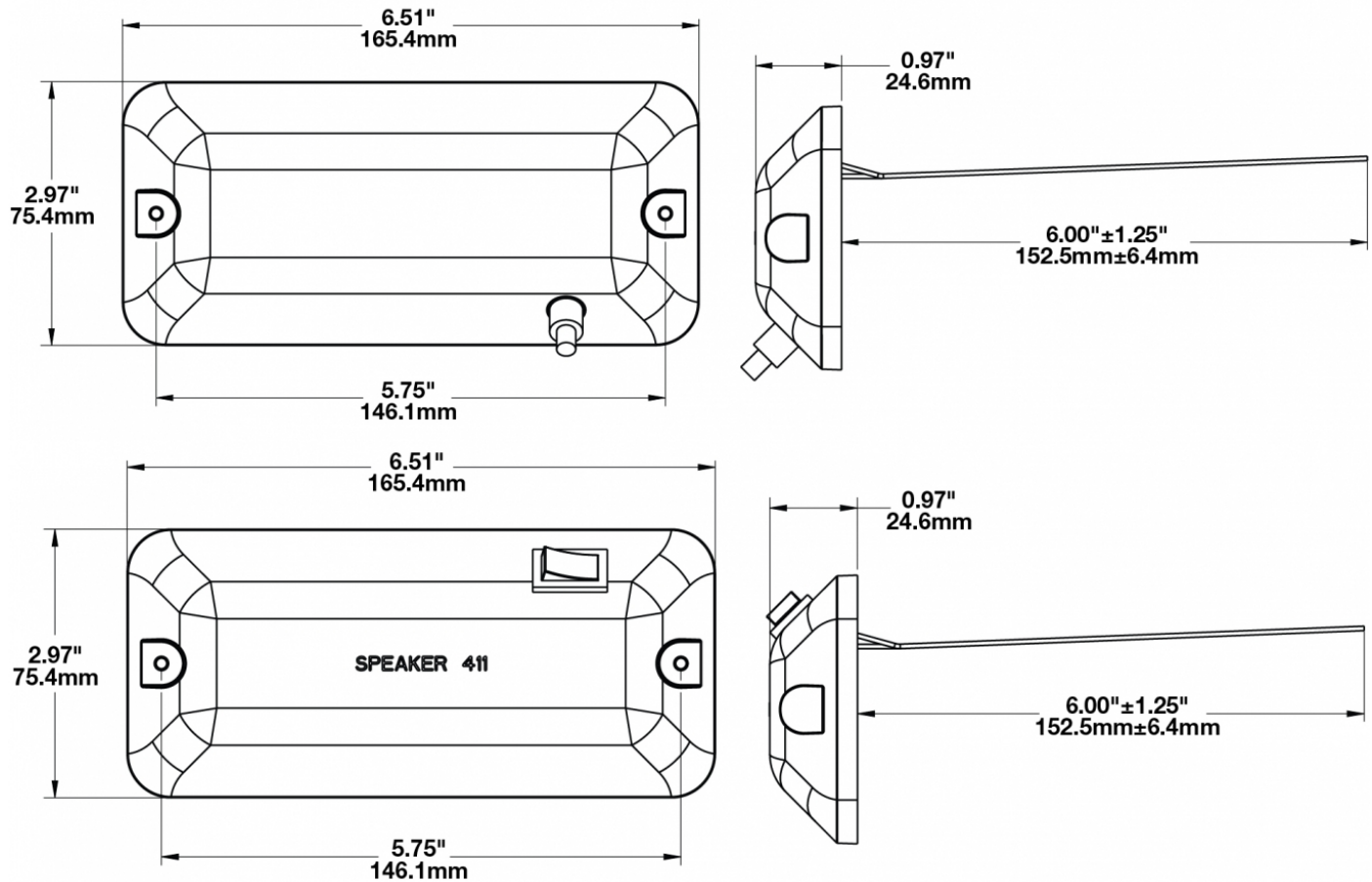




PRODUCT INFORMATION

Description	12-24V LED Dome Light with On/Off Button
Height	75.44 (mm) / 2.97 (in)
Width	165.35 (mm) / 6.51 (in)
Depth	24.64 (mm) / 0.97 (in)
Shape	Rectangular
Outer Lens Material	Polycarbonate
Outer Lens Color	Clear
Housing Material	Polycarbonate
Housing Color	Black
Mounting Hardware Description	(x2) #8-32 x Phillips Taptite Mounting Screws
Mounting Type	Flush Mount
Minimum Operating Temperature	-40 (°C) / -40 (°F)
Maximum Operating Temperature	65 (°C) / 149 (°F)
Connector or Wiring	Bare Leads
Product Weight	0.21 (lbs) / 0.1 (kgs)
Spec Sheet Printed	2016-07-07

PRODUCT DIMENSIONS



ELECTRICAL SPECIFICATIONS

Input Voltage	12-24 V DC
Operating Voltage	9-32 V DC
Transient Spike Protection	150V Peak @ 1 HZ-100 Pulses
Red Wire	Positive
Black Wire	Negative
Current Draw	0.14A @ 12V DC 0.09A @ 24V DC

REGULATORY STANDARDS COMPLIANCE



Buy America Standards
Eco Friendly

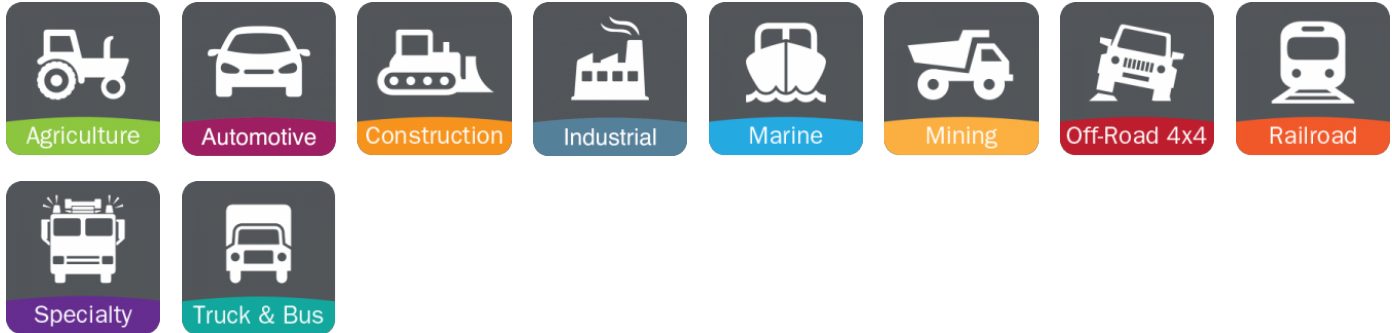
ECE Reg 10
Tested to ECE Reg. 10
(Radiated Emissions only)

PHOTOMETRIC SPECIFICATIONS

Nominal LED Color Temperature 5000 (K)

Beam Pattern(s) Interior - Dome Light

APPLICATIONS



RELATED PRODUCTS



[Part Number 0443291](#)

**12-24V LED Dome Light
with On/Off/Door Rocker
Switch**