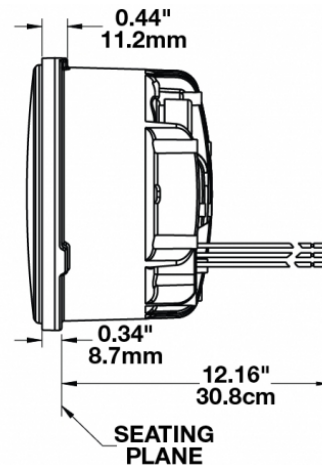
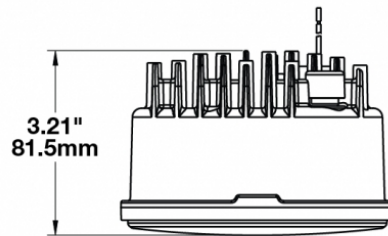
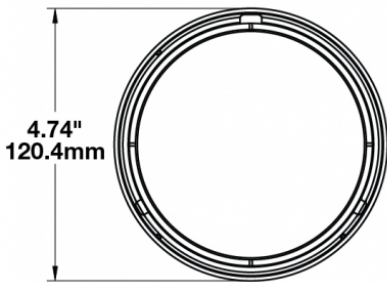


PRODUCT INFORMATION



Description	12-24V SAE/ECE LED RHT High & Low Beam Headlight
Height	120.40 (mm) / 4.74 (in)
Width	120.40 (mm) / 4.74 (in)
Depth	81.53 (mm) / 3.21 (in)
Shape	Round
Outer Lens Material	Polycarbonate
Outer Lens Color	Clear
Housing Material	Aluminum
Housing Color	Black
Bezel Color	Black
Connector or Wiring	12" Flying Leads
Mating Connector	n/a
Product Weight	1.50 (lbs) / 0.68 (kgs)
Shipping Weight	1.50 (lbs) / 0.68 (kgs)
Spec Sheet Printed	2016-07-07

PRODUCT DIMENSIONS



ELECTRICAL SPECIFICATIONS

Input Voltage	12-24 V DC
Operating Voltage	10-30 V DC
Transient Spike Protection	150V Peak @ 1 HZ-100 Pulses
Black Wire	Ground
Yellow Wire	Low Beam
White Wire	High Beam
Red Wire	Front Position
Current Draw	3.00A @ 12V DC (High Beam) 1.43A @ 24V DC (High Beam) 2.30A @ 12V DC (Low Beam) 1.01A @ 24V DC (Low Beam) 0.12A @ 12V DC (Front Position) 0.09A @ 24V DC (Front Position)

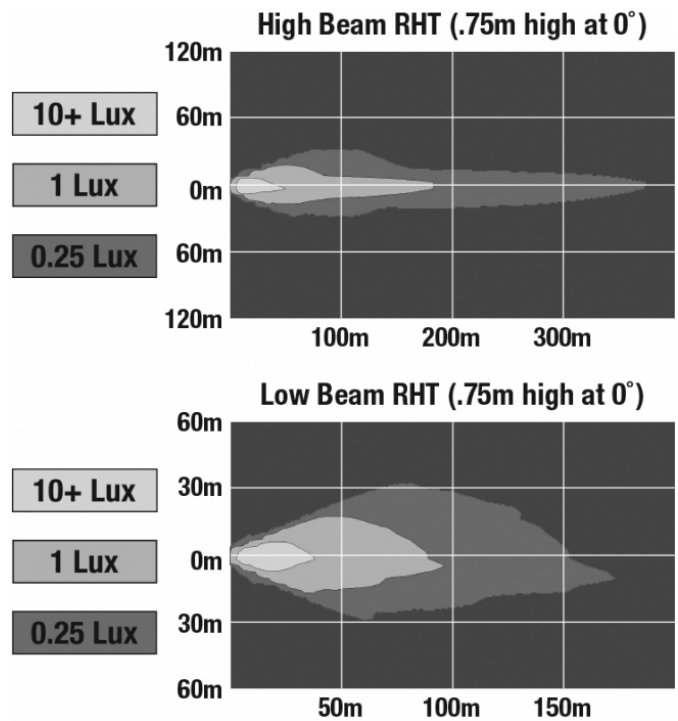
REGULATORY STANDARDS COMPLIANCE



Buy America Standards	ECE Reg 112
ECE Reg 7	Eco Friendly
FMVSS 108 Table XIX	FMVSS 108 Table XVIII
IEC IP67	

PHOTOMETRIC SPECIFICATIONS

Raw Lumen Output	2,230 (High Beam); 1,330 (Low Beam)
Effective Lumen Output	840 (High Beam); 440 (Low Beam)
Beam Pattern(s)	Forward Lighting - High Beam (DOT/ECE) Forward Lighting - Low Beam (ECE Right Hand) Signalization - Front Position



APPLICATIONS



ADDITIONAL INFORMATION

Jump Start: 48V for 2 min
Reverse Polarity: -24V for 2 min
Load Dump: 150V 5 pulses 10 sec intervals
Inductive Switching: 600V 10 pulses 1 sec intervals
Mutual Coupling: 300V 10 pulses 1 sec intervals

RELATED PRODUCTS



[Part Number 0549851](#)

**12-24V SAE/ECE LED RHT
Low Beam Headlight**



[Part Number 0549861](#)

**12-24V ECE LED LHT Low
Beam Headlight**



[Part Number 0549871](#)

**12-24V SAE/ECE LED High
Beam Headlight**



[Part Number 0549891](#)

**12-24V ECE LED LHT High
& Low Beam Headlight**