

LED Headlights - Model 8415 Evolution

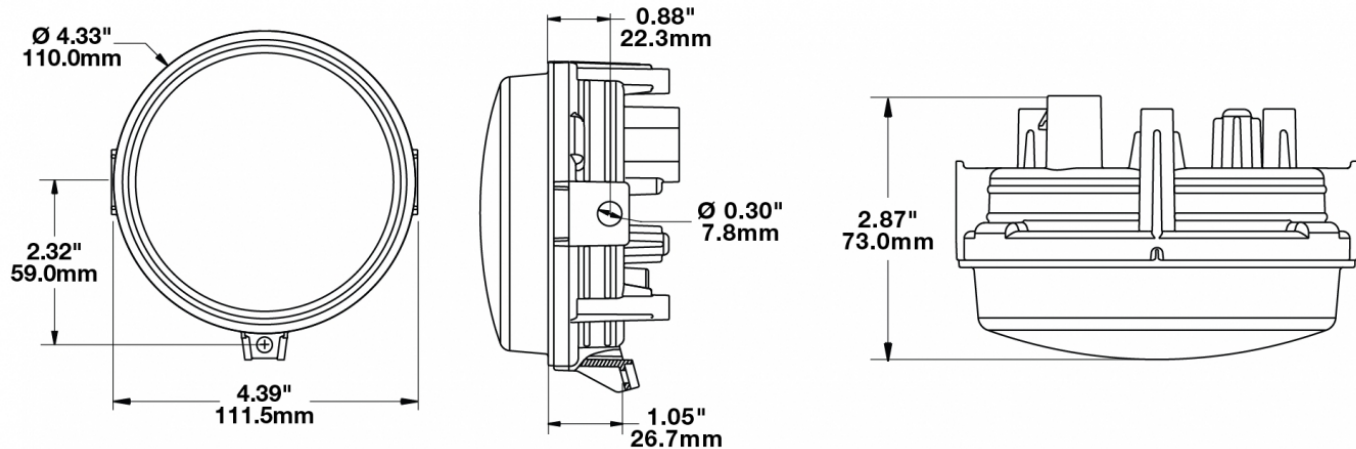
PRODUCT INFORMATION

Description	12-24V SAE/ECE LED High/Low Beam Light with Xenoy Housing & Adjustable Mount
Height	119.63 mm / 4.71 in
Width	111.25 mm / 4.38 in
Depth	72.90 mm / 2.87 in
Shape	Round
Outer Lens Material	Polycarbonate
Outer Lens Color	Clear
Housing Material	Xenoy
Housing Color	Black
Mounting Type	Adjustable Mount
Retrofits	Large Vehicles
Minimum Operating Temperature	-40 °C / -40 °F
Maximum Operating Temperature	65 °C / 149 °F
Mating Connector	PE 12110293
Product Weight	0.51 lbs / 0.23 kgs
Shipping Weight	1.10 lbs / 0.5 kgs
Additional Information	Lamp meets SAE J1623, SAE J2258, ASABE S608, ECE Reg 113 Class C. Adjustable Mount is needed for larger vehicles in order to modify pattern as needed.



LED Headlights - Model 8415 Evolution

PRODUCT DIMENSIONS



ELECTRICAL SPECIFICATIONS

Input Voltage	12-24V DC
Operating Voltage	10-30V DC
Current Draw	1.14A @ 12V DC (High Beam) 0.41A @ 12V DC (Low Beam) 0.57A @ 24V DC (High Beam) 0.22A @ 24V DC (Low Beam)

REGULATORY STANDARDS COMPLIANCE



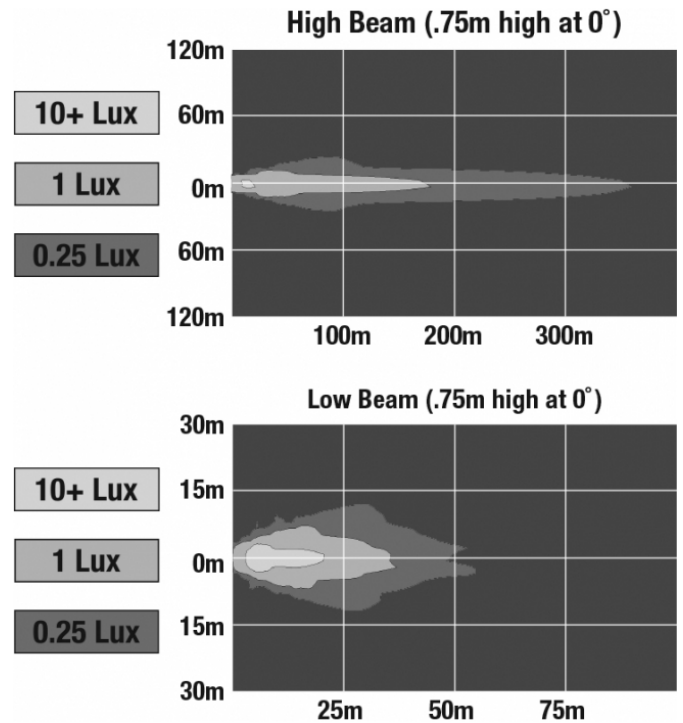
ASABE S608
ECE Reg 113
IEC IP67
SAE J2258

Buy America Standards
Eco Friendly
SAE J1623

LED Headlights - Model 8415 Evolution

PHOTOMETRIC SPECIFICATIONS

Raw Lumen Output	1,075 (High Beam); 430 (Low Beam)
Effective Lumen Output	720 (High Beam); 240 (Low Beam)
Nominal LED Color Temperature	5000 K
Beam Pattern(s)	Forward Lighting - High Beam (DOT/ECE) Forward Lighting - Low Beam (DOT) Forward Lighting - Low Beam (ECE Right Hand)



RELATED PRODUCTS



Part Number
0551761
12-24V SAE/ECE LED
High/Low Beam Light
with Xenon Housing &
Fixed Panel Mount



Part Number
0552031
12-24V SAE/ECE LED
High/Low Beam Light
with Polycarbonate
Housing & Adjustable
Mount - UL Version