

# LED Headlight - Model 9800

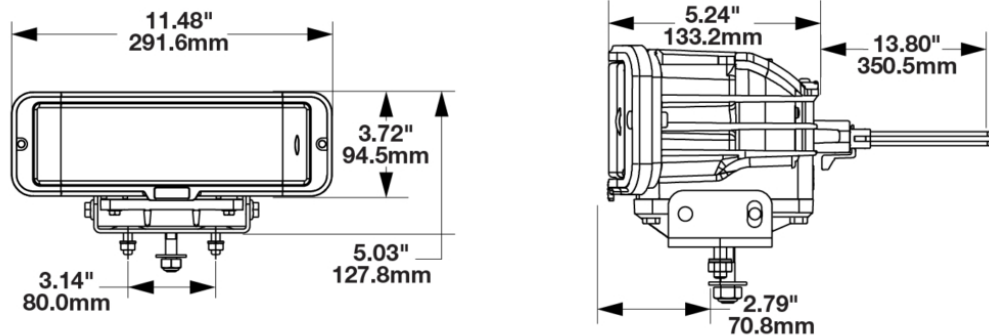
## PRODUCT INFORMATION

<b>Description</b>	24V ECE LED LHT Heated Headlight - 2 Light Kit
<b>Height</b>	94.53 mm / 3.72 in
<b>Width</b>	291.58 mm / 11.48 in
<b>Depth</b>	133.17 mm / 5.24 in
<b>Shape</b>	Rectangular
<b>Outer Lens Material</b>	Polycarbonate
<b>Outer Lens Color</b>	Clear
<b>Housing Material</b>	Xenoy
<b>Housing Color</b>	Black
<b>Bezel Color</b>	Black
<b>Mounting Hardware Description</b>	(x2) M8 - 1.25-80 mm x 25 mm SS Carriage Bolt - Per Lamp
<b>Mounting Type</b>	Universal Pedestal Mount
<b>Retrofits</b>	Pedestal mount snow plow lights
<b>Mating Connector</b>	Delphi (#12052848)
<b>Product Weight</b>	5.75 lbs / 2.61 kgs
<b>Shipping Weight</b>	9.55 lbs / 4.33 kgs



# LED Headlight - Model 9800

## PRODUCT DIMENSIONS



## ELECTRICAL SPECIFICATIONS

<b>Input Voltage</b>	24V DC
<b>Operating Voltage</b>	20-32V DC
<b>Red Wire</b>	Front Position
<b>Black Wire</b>	Ground
<b>White Wire</b>	High Beam
<b>Yellow Wire</b>	Turn
<b>Blue Wire</b>	DRL
<b>Orange Wire</b>	Low Beam
<b>Current Draw</b>	1.40A @ 24V DC (Low Beam) 2.00A @ 24V DC (High Beam) 0.30A @ 24V DC (Turn Signal) 0.05A @ 24V DC (Front Position / DRL) 1.00A @ 24V DC (Lens Heater)

# LED Headlight - Model 9800

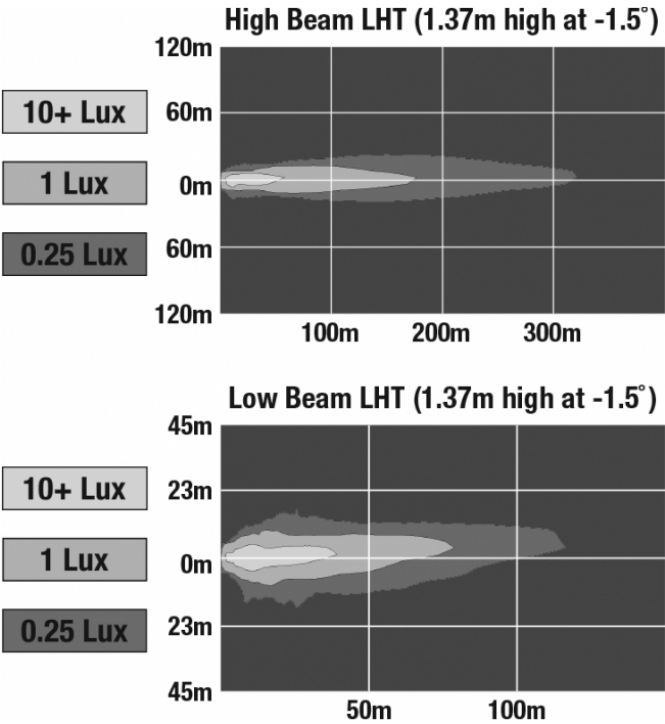
## REGULATORY STANDARDS COMPLIANCE



Buy America Standards	ECE Reg 10
ECE Reg 112	ECE Reg 6
ECE Reg 7	ECE Reg 87
Eco Friendly	IEC IP67

## PHOTOMETRIC SPECIFICATIONS

<b>Raw Lumen Output</b>	2,880 (High Beam); 2,160 (Low Beam)
<b>Effective Lumen Output</b>	1,150 (High Beam); 800 (Low Beam)
<b>Candela Output</b>	52,000
<b>Nominal LED Color Temperature</b>	5000 K
<b>Beam Pattern(s)</b>	Forward Lighting - High Beam (ECE) Forward Lighting - Low Beam (ECE Left Hand) Signalization - Turn (Front)



# LED Headlight - Model 9800

## APPLICATIONS

---



## INSTALLATION & APPLICATION INFORMATION

---

Pedestal mount snow plow lights for single or double bolt mounts. Each lamp comes with mounting hardware for single bolt mount included (1/2-13 x 1.75 SS Carriage Bolt with hex nut and washer), in addition to the 2 M8-1.25 x 25 SS Carriage Bolts for double bolt mounts.

## ADDITIONAL INFORMATION

---

J.W. Speaker's Model 9800 is best suited for normal snow plowing, not "high speed" plowing on highways. Consult with your J.W. Speaker salesperson for more information.

The Model 9800 is not designed to be a plug and play for Boss snow plows. If you have a Boss snow plow please see your local Boss dealer for information on the right product to use.

Lamp design integrates acceptance of mating connector Delphi #1205848

## SMARTHEAT™ HEATING SYSTEM

---

The SmartHeat™ heating system senses ambient temperature and turns the integrated heating system in the lens on & off. This system actually clears ice & snow twice as fast as conventional halogen lamps.

### When does the heater turn on?

Heater turns on or off according to temperature changes and vehicle power:

- Heater will turn on when temperatures drop, generating enough heat to prevent ice build-up.
- Heater will turn on when powering up, de-icing the light as rapidly as possible.

### When does the heater turn off?

Heater will turn off when it senses temperatures increase and are above the high temperature threshold.

See Additional Information on page 1 for heated wire installation

# LED Headlight - Model 9800

## RELATED PRODUCTS

---



**Part Number**  
**0550061**  
12-24V DOT LED Non-Heated Headlight - 2 Light Kit



**Part Number**  
**0550161**  
12-24V ECE LED RHT Non-Heated Headlight - 2 Light Kit



**Part Number**  
**0550171**  
12-24V ECE LED LHT Non-Heated Headlight - 2 Light Kit



**Part Number**  
**0551803**  
24V DOT LED Heated Headlight - 2 Light Kit



**Part Number**  
**0551833**  
24V ECE LED RHT Heated Headlight - 2 Light Kit



**Part Number**  
**0552243**  
12V DOT LED Heated Headlight - 2 Light Kit



**Part Number**  
**0552423**  
12V ECE LED RHT Heated Headlight - 2 Light Kit



**Part Number**  
**0552433**  
12V ECE LED LHT Heated Headlight - 2 Light Kit