

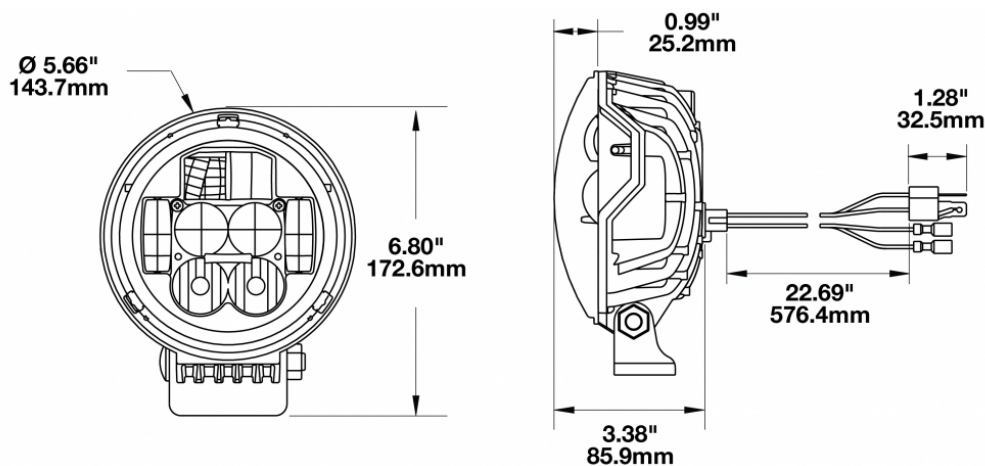
# LED Headlights – Model 8632 Evolution

## PRODUCT INFORMATION

<b>Description</b>	12-24V ECE LED LHT Right Hand High & Low Beam Headlight with Turn Signal, FP & DRL
<b>Height</b>	173.00 mm / 6.81 in
<b>Width</b>	144.00 mm / 5.67 in
<b>Depth</b>	86.00 mm / 3.39 in
<b>Shape</b>	Round
<b>Outer Lens Material</b>	Polycarbonate
<b>Outer Lens Color</b>	Clear
<b>Housing Material</b>	Aluminum
<b>Housing Color</b>	Black
<b>Mounting Type</b>	Pedestal
<b>Minimum Operating Temperature</b>	-34 °C / -29.2 °F
<b>Maximum Operating Temperature</b>	49 °C / 120.2 °F
<b>Connector or Wiring</b>	Integral Connector in Housing simulating Delphi 12124107,
<b>Mating Connector</b>	Delphi 12052848
<b>Product Weight</b>	3.40 lbs / 1.54 kgs



## PRODUCT DIMENSIONS



# LED Headlights – Model 8632 Evolution

## ELECTRICAL SPECIFICATIONS

---

<b>Input Voltage</b>	12-24 V
<b>Operating Voltage</b>	10-32 V
<b>Transient Spike Protection</b>	150V Peak @ 1 HZ-100 Pul
<b>White Wire</b>	High Beam
<b>Yellow Wire</b>	Low Beam
<b>Black Wire</b>	Ground
<b>Red Wire</b>	Front Position
<b>Purple Wire</b>	DRL
<b>Orange/white Wire</b>	Front Turn
<b>Current Draw</b>	3.67A @ 12V (High Beam) 1.83A @ 24V (High Beam) 2.5A @ 12V (Low Beam) 1.25A @ 24V (Low Beam) .67A @ 12V (DRL) .34A @ 24V (DRL) .83A @ 12V (Front Turn) .42A @ 24V (Front Turn) .08A @ 12V (Front Position) .042A @ 24V (Front Position) .08A @ 12V (Side Marker) .042A @ 24V (Side Marker)

## REGULATORY STANDARDS COMPLIANCE

---



Buy America Standards  
ECE Reg 6  
ECE Reg 87  
IEC IP67

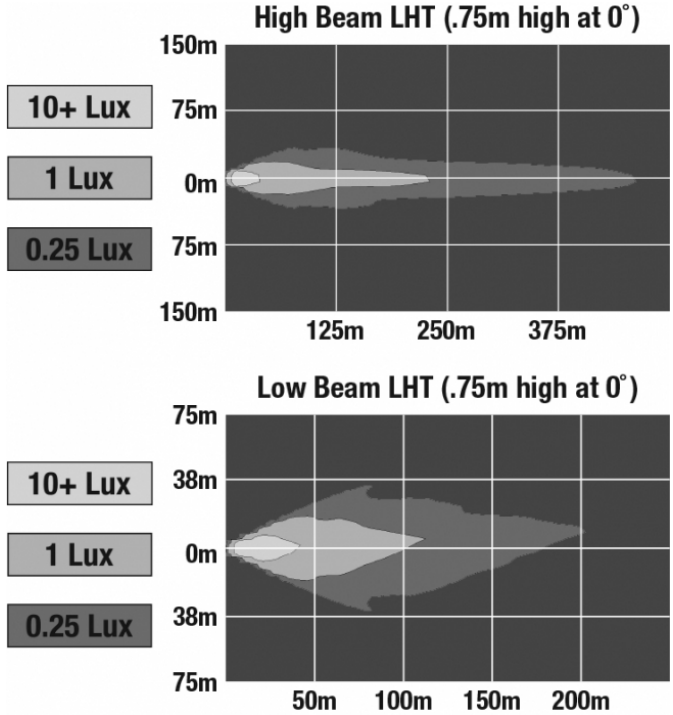


ECE Reg 112  
ECE Reg 7  
Eco Friendly

# LED Headlights – Model 8632 Evolution

## PHOTOMETRIC SPECIFICATIONS

<b>Raw Lumen Output</b>	2,925 (High Beam); 2,025 (Low Beam)
<b>Effective Lumen Output</b>	1,000 (High Beam); 630 (Low Beam)
<b>Nominal LED Color Temperature</b>	5000 K
<b>Beam Pattern(s)</b>	Forward Lighting - Daytime Running Light Forward Lighting - High Beam (DOT/ECE) Forward Lighting - Low Beam (DOT/ECE) Signalization - Front Position Signalization - Marker Signalization - Turn (Front)



## APPLICATIONS



# LED Headlights – Model 8632 Evolution

## RELATED PRODUCTS

---



**Part Number**  
**0551561**

12-24V DOT/ECE LED  
RHT Right Hand High &  
Low Beam Headlight  
with Turn Signal, FP &  
DRL



**Part Number**  
**0551571**

12-24V DOT/ECE LED  
RHT Left Hand High &  
Low Beam Headlight  
with Turn Signal, FP &  
DRL



**Part Number**  
**0551973**

12-24V ECE LED LHT  
High & Low Beam  
Headlights with Turn  
Signal, FP & DRL - 2  
Light Kit



**Part Number**  
**0551983**

12-24V DOT/ECE LED  
RHT High & Low Beam  
Headlights with Turn  
Signal, FP & DRL - 2  
Light Kit



**Part Number**  
**0552001**

12-24V ECE LED LHT  
Left Hand High & Low  
Beam Headlight with  
Turn Signal, FP & DRL