

# LED Headlights - Model 8415 Evolution

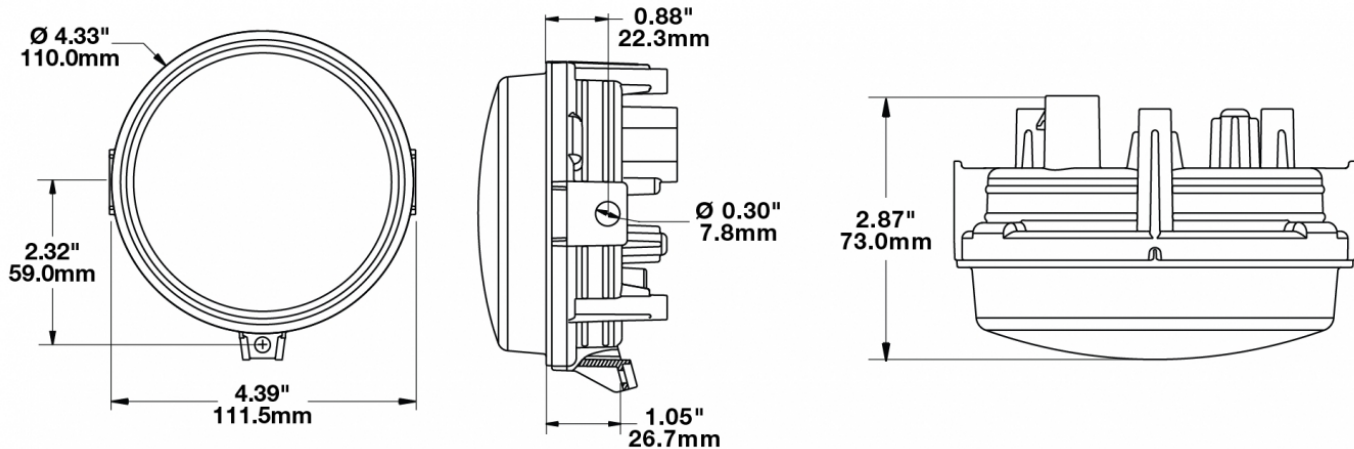
## PRODUCT INFORMATION

<b>Description</b>	12-24V SAE/ECE LED High/Low Beam Light with Polycarbonate Housing & Adjustable Mount - UL Version
<b>Height</b>	119.63 mm / 4.71 in
<b>Width</b>	111.25 mm / 4.38 in
<b>Depth</b>	72.90 mm / 2.87 in
<b>Shape</b>	Round
<b>Outer Lens Material</b>	Polycarbonate
<b>Outer Lens Color</b>	Clear
<b>Housing Material</b>	Polycarbonate
<b>Housing Color</b>	Black
<b>Mounting Type</b>	Adjustable Mount
<b>Retrofits</b>	Large Vehicles
<b>Minimum Operating Temperature</b>	-40 °C / -40 °F
<b>Maximum Operating Temperature</b>	65 °C / 149 °F
<b>Mating Connector</b>	PE 12110293
<b>Product Weight</b>	0.51 lbs / 0.23 kgs
<b>Shipping Weight</b>	1.10 lbs / 0.5 kgs
<b>Additional Information</b>	Lamp meets SAE J1623, SAE J2258, ASABE S608, ECE Reg 113 Class C. UL Recognized. Adjustable Mount is needed for larger vehicles in order to modify pattern as needed.



# LED Headlights - Model 8415 Evolution

## PRODUCT DIMENSIONS



## ELECTRICAL SPECIFICATIONS

<b>Input Voltage</b>	12-24V DC
<b>Operating Voltage</b>	10-30V DC
<b>Current Draw</b>	1.14A @ 12V DC (High Beam) 0.41A @ 12V DC (Low Beam) 0.57A @ 24V DC (High Beam) 0.22A @ 24V DC (Low Beam)

## REGULATORY STANDARDS COMPLIANCE



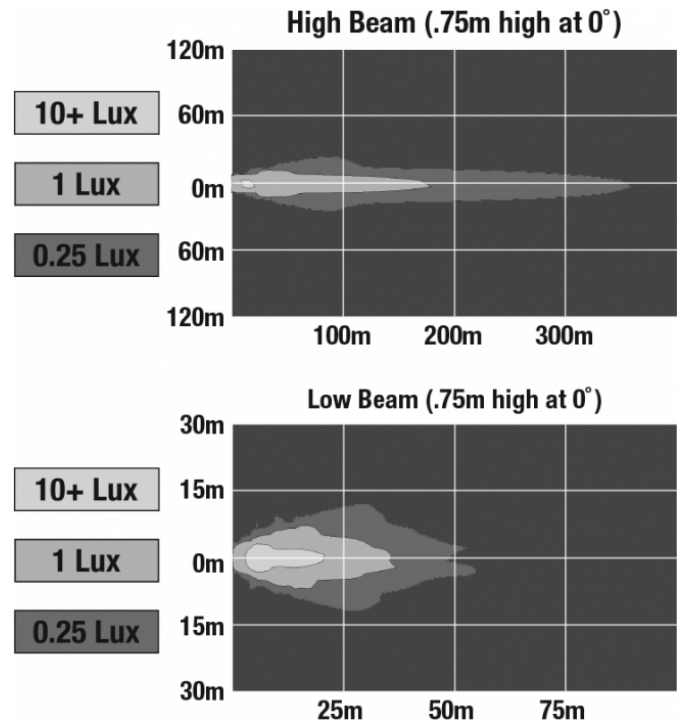
ASABE S608  
ECE Reg 113  
IEC IP67  
SAE J2258

Buy America Standards  
Eco Friendly  
SAE J1623  
UL Recognized

# LED Headlights - Model 8415 Evolution

## PHOTOMETRIC SPECIFICATIONS

<b>Raw Lumen Output</b>	1,075 (High Beam); 430 (Low Beam)
<b>Effective Lumen Output</b>	720 (High Beam); 240 (Low Beam)
<b>Nominal LED Color Temperature</b>	5000 K
<b>Beam Pattern(s)</b>	Forward Lighting - High Beam (DOT/ECE) Forward Lighting - Low Beam (DOT) Forward Lighting - Low Beam (ECE Right Hand)



## RELATED PRODUCTS



**Part Number**

**0551191**

12-24V SAE/ECE LED High/Low Beam Light with Xenon Housing & Adjustable Mount



**Part Number**

**0551761**

12-24V SAE/ECE LED High/Low Beam Light with Xenon Housing & Fixed Panel Mount