

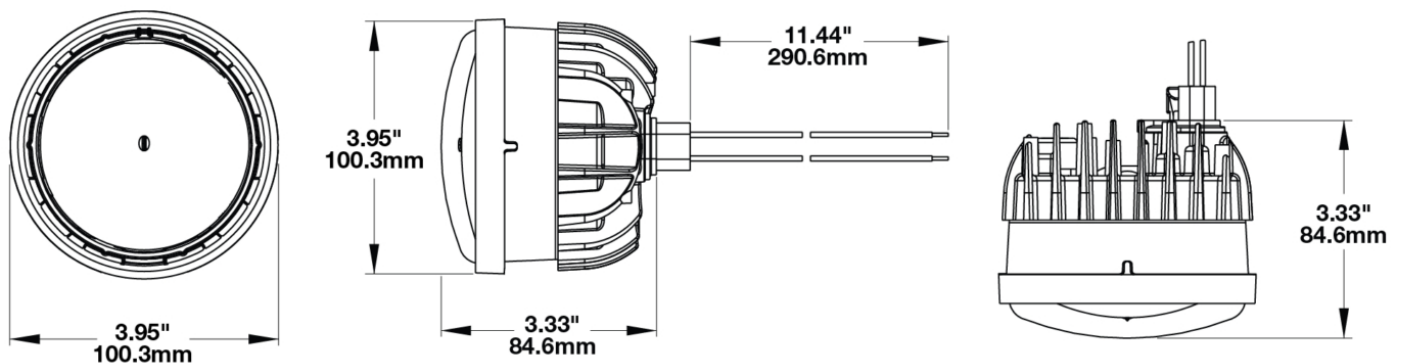
Bi-LED Headlight - Model 97

PRODUCT INFORMATION

Description	12-24V DOT/ECE LHT High & Low Beam Headlight (Reg 112)
Height	100.00 mm / 3.94 in
Width	100.00 mm / 3.94 in
Depth	85.00 mm / 3.35 in
Shape	Round
Outer Lens Material	Polycarbonate
Outer Lens Color	Clear
Housing Material	Aluminum
Housing Color	Black
Bezel Color	Black
Minimum Operating Temperature	-40 °C / -40 °F
Maximum Operating Temperature	65 °C / 149 °F
Connector or Wiring	Deutsch DT04-4P
Mating Connector	Deutsch DT06-4S
Product Weight	1.85 lbs / 0.84 kgs
Shipping Weight	1.85 lbs / 0.84 kgs



PRODUCT DIMENSIONS



Bi-LED Headlight - Model 97

ELECTRICAL SPECIFICATIONS

Input Voltage	12-24V DC
Operating Voltage	10-32V DC
Transient Spike Protection	150V Peak @ 1 HZ-100 Pulses
Black Wire	Ground
Yellow Wire	Low Beam
White Wire	High Beam
Red Wire	Front Position
Current Draw	1.5A @ 12V DC (Low Beam) 1.8A @ 12V DC (High Beam) 0.1A @ 12V DC (Front Position) 0.8A @ 24V DC (Low Beam) 1.0A @ 24V DC (High Beam) 0.06A @ 24V DC (Front Position)

REGULATORY STANDARDS COMPLIANCE

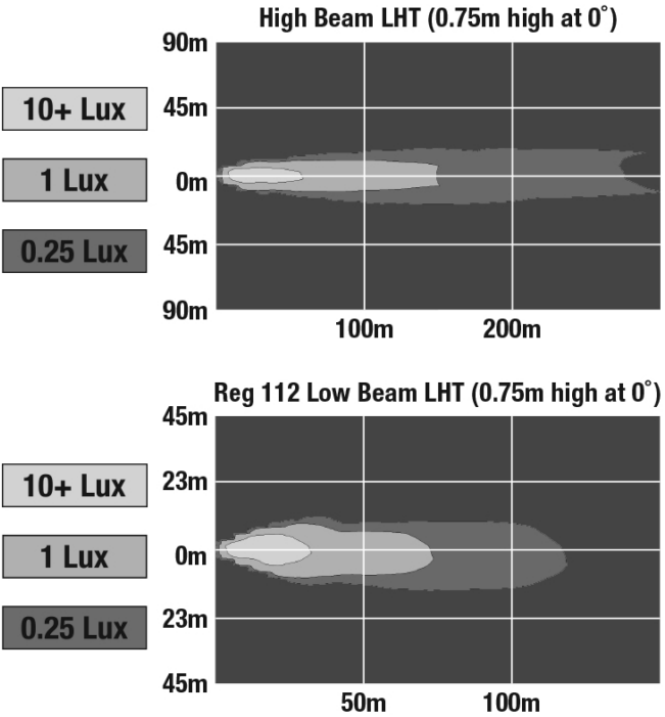


Buy America Standards	ECE Reg 10
ECE Reg 112	ECE Reg 7
Eco Friendly	IEC IP67
IEC IP69K	Tested to ECE Reg. 10 (Radiated Emissions only)

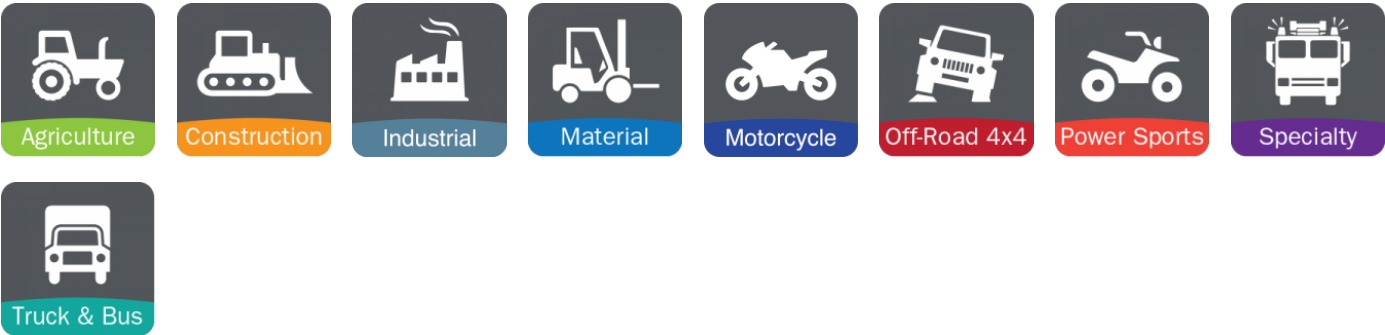
Bi-LED Headlight - Model 97

PHOTOMETRIC SPECIFICATIONS

Raw Lumen Output	1,800 (High Beam); 1,600 (Low Beam)
Effective Lumen Output	497 (High Beam); 321 (Low Beam)
Candela Output	41,800 (High Beam); 14,600 (Low Beam)
Nominal LED Color Temperature	5000 K
Beam Pattern(s)	Forward Lighting - High Beam (ECE) Forward Lighting - Low Beam (ECE Left Hand) Signalization - Front Position



APPLICATIONS



Bi-LED Headlight - Model 97

PRODUCT WARNINGS

For California residents:

⚠️ WARNING: Cancer and reproductive harm

ACCESSORIES



Part Number
8001511
3-Point Mount for
3mm Mounting Frame



Part Number
8001521
Single Pedestal Mount
Kit

RELATED PRODUCTS



Part Number
0554831
12-24V DOT/ECE RHT
High & Low Beam
Headlight (Reg 112)



Part Number
0554921
12-24V DOT/ECE High
& Low Beam Headlight
(Reg 113)