

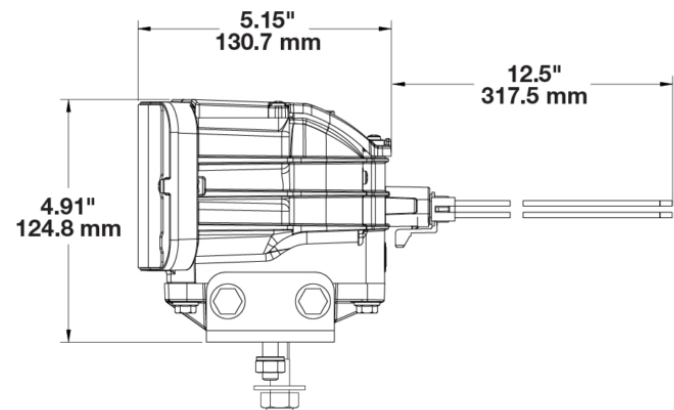
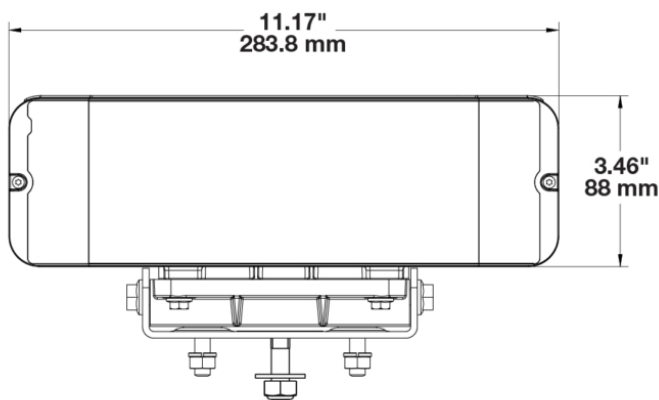
LED Headlight - Model 9800 HS

PRODUCT INFORMATION

Description	12-24V DOT LED High Speed Heated Headlight - 2 Light Kit
Height	94.50 mm / 3.72 in
Width	291.60 mm / 11.48 in
Depth	133.20 mm / 5.24 in
Shape	Rectangular
Outer Lens Material	Polycarbonate
Outer Lens Color	Clear
Housing Material	Xenoy
Housing Color	Black
Mounting Hardware Description	(x2) M8 - 1.25-80 mm x 25 mm SS Carriage Bolt - Per Lamp
Mounting Type	Universal Pedestal Mount
Retrofits	Pedestal mount snow plow lights
Connector or Wiring	6-Pin Delphi (#12052848)
Mating Connector	Delphi (#12052848)
Product Weight	5.75 lbs / 2.61 kgs
Shipping Weight	8.09 lbs / 3.67 kgs



PRODUCT DIMENSIONS



LED Headlight - Model 9800 HS

ELECTRICAL SPECIFICATIONS

Input Voltage	12-24V DC
Red Wire	Front Position
Black Wire	Ground
White Wire	High Beam
Yellow Wire	Turn
Blue Wire	Non-Functioning
Orange Wire	Low Beam
Current Draw	1.75A @ 12V DC (Low Beam) 2.50A @ 12V DC (High Beam) .750A @ 12V DC (Turn) .040A @ 12V DC (Front Position) 2.00A @ 12V DC (Heater) 1.00A @ 24V DC (Low Beam) 1.50A @ 24V DC (High Beam) .280A @ 24V DC (Turn) .025A @ 24V DC (Front Position) 1.75A @ 24V DC (Heater)

REGULATORY STANDARDS COMPLIANCE



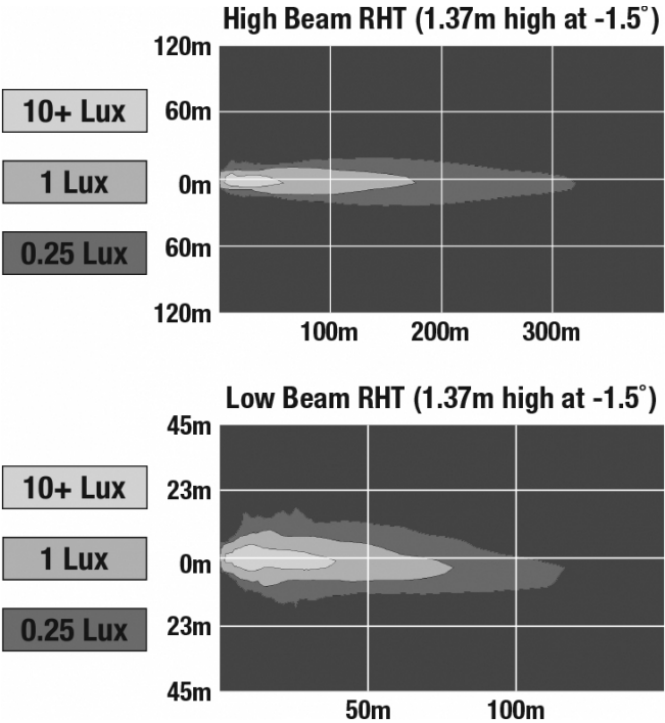
Buy America Standards

Eco Friendly

LED Headlight - Model 9800 HS

PHOTOMETRIC SPECIFICATIONS

Raw Lumen Output	2,880 (High Beam); 2,160 (Low Beam)
Effective Lumen Output	1,150 (High Beam); 800 (Low Beam)
Candela Output	52,000
Nominal LED Color Temperature	5000 K
Beam Pattern(s)	Forward Lighting - High Beam (DOT) Forward Lighting - Low Beam (DOT) Signalization - Turn (Front)



APPLICATIONS



INSTALLATION & APPLICATION INFORMATION

Pedestal mount snow plow lights for single or double bolt mounts. Each lamp comes with mounting hardware for single bolt mount included (1/2-13 x 1.75 SS Carriage Bolt with hex nut and washer), in addition to the 2 M8-1.25 x 25 SS Carriage Bolts for double bolt mounts.

LED Headlight - Model 9800 HS

ADDITIONAL INFORMATION

J.W. Speaker's Model 9800 HS is suited for snow plowing, whether "high speed" plowing on highways or residential plowing. Consult with your J.W. Speaker salesperson for more information.

The Model 9800 HS is not designed to be a plug and play for Boss snow plows. If you have a Boss snow plow please see your local Boss dealer for information on the right product to use.

Lamp design integrates acceptance of mating connector Delphi #1205848

SMARTHEAT™ HEATING SYSTEM

The SmartHeat™ heating system senses ambient temperature and turns the integrated heating system in the lens on & off. This system actually clears ice & snow twice as fast as conventional halogen lamps.

When does the heater turn on?

Heater turns on or off according to temperature changes and vehicle power:

- Heater will turn on when temperatures drop, generating enough heat to prevent ice build-up.
- Heater will turn on when powering up, de-icing the light as rapidly as possible.

When does the heater turn off?

Heater will turn off when it senses temperatures increase and are above the high temperature threshold.

See Additional Information on page 1 for heated wire installation