

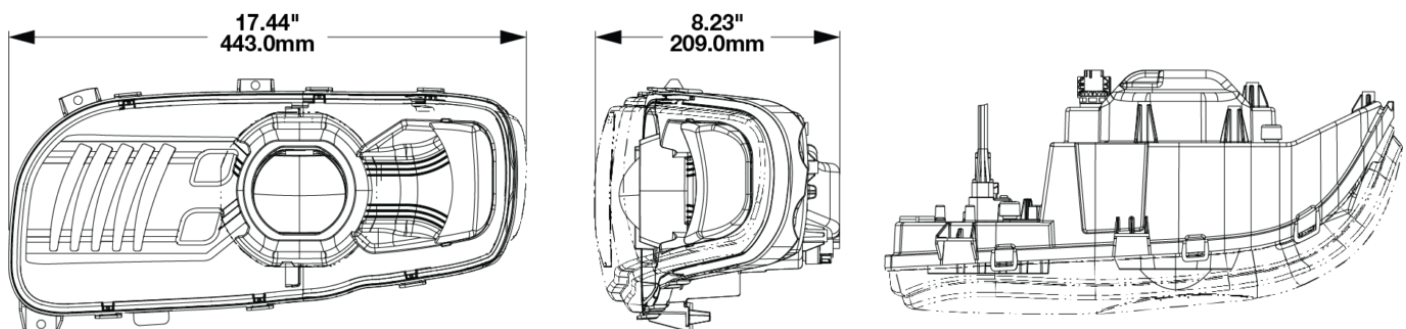
Peterbilt POD LED Headlights - Model 9600

PRODUCT INFORMATION

Description	12V Peterbilt LED Heated Headlight, Left-hand, Chrome Bezel (Single light)
Height	215.00 mm / 8.46 in
Width	443.00 mm / 17.44 in
Depth	210.00 mm / 8.27 in
Shape	Stylized
Outer Lens Material	Polycarbonate
Outer Lens Color	Clear
Housing Material	Polycarbonate
Housing Color	Black
Bezel Color	Chrome
Minimum Operating Temperature	-40 °C / -40 °F
Maximum Operating Temperature	65 °C / 149 °F
Connector or Wiring	Deutsch DT04-8PA
Mating Connector	Deutsch DT06-8SA
Product Weight	5.65 lbs / 2.56 kgs
Shipping Weight	7.00 lbs / 3.18 kgs



PRODUCT DIMENSIONS



Peterbilt POD LED Headlights - Model 9600

ELECTRICAL SPECIFICATIONS

Input Voltage	12 V
Operating Voltage	9-18 V
Transient Spike Protection	330V Peak @ 1 HZ-100 Pul
Black Wire	Ground
Red Wire	(+) Rear Repeater
White Wire	High Beam
Yellow Wire	Low Beam
Green Wire	Turn Signal
Brown Wire	Side Marker
Current Draw	2.1A @ 12V 4.2A @ 12V 2.15A @ 12V 0.34A @ 12V

REGULATORY STANDARDS COMPLIANCE



FMVSS 108 s10.1 (Table XIX)	FMVSS 108 s10.1 (Table XVIII)
FMVSS 108 s7.1 (Table VI)	FMVSS 108 s7.4 (Table X)
FMVSS 108 s8.1 (Table XVI)	IEC IP67
SAE J588	SAE J592
SAE J594	

Peterbilt POD LED Headlights - Model 9600

PHOTOMETRIC SPECIFICATIONS

Raw Lumen Output	2895 (High Beam); 1200 (Low Beam)
Effective Lumen Output	1020 (High Beam); 614 (Low Beam)
Candela Output	50400 (High Beam); 26690 (Low Beam)
Nominal LED Color Temperature	5000 K
Beam Pattern(s)	Forward Lighting - Daytime Running Light Forward Lighting - Low Beam (DOT) Signalization - Front Position Signalization - Marker Signalization - Turn (Front)

APPLICATIONS



PRODUCT WARNINGS

Peterbilt POD LED Headlights - Model 9600

RELATED PRODUCTS



Part Number
0556671
12V Peterbilt LED
Heated Headlight,
Right-hand, Chrome
Bezel (Single light)



Part Number
0556681
12V Peterbilt LED
Headlight, Left-hand,
Chrome Bezel (Single
light)



Part Number
0556691
12V Peterbilt LED
Headlight, Right-hand,
Chrome Bezel (Single
light)