

INSTALLATION INSTRUCTIONS

⚠ WARNING

To properly install this warning light you should have a good understanding of automotive electrical procedures and systems, and proficiency in the installation of warning lights. **IF YOU DO NOT, PLEASE SEEK PROFESSIONAL ASSISTANCE.**

BEFORE INSTALLATION:

Estimated Time:	90 minutes
Tools Needed:	Needle Nose Pliers
Wire Functions:	Black = Ground White = Power White Yellow = Power Amber Red = Amber/White toggle
Toggle Install:	Black = Ground Red = Amber/White toggle
White Light Only Install:	Black = Ground White = Power White
Amber Light Only Install:	Black = Ground Yellow = Power Amber

In the Box:	<ol style="list-style-type: none"> 1. (12x) M4 Bezel Screws 2. (2x) Outer Bezels 3. (6x) Outer Lens 4. (4x) Lock Washers 5. (4x) 1/4" Bolts 6. (2x) Mounting Bolts 7. (2x) Brackets 8. (2x) Hex Nuts 9. (2x) Trail 6 Pro/Sport Lights 10. (2x) Mounting Washers 11. (2x) Quick Disconnect Harnesses
--------------------	--

Input Voltage: 12-24 V DC

Operating Voltage: 10-32 V DC

⚠ **WARNING:** Cancer and Reproductive Harm

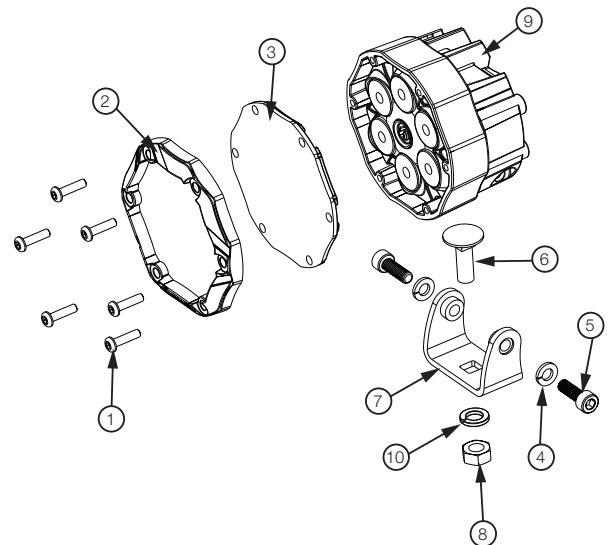
PRE-INSTALLATION INSTRUCTIONS:

1. Read all safety notes and mounting guidelines before installing the product. Verify that all parts listed under "In the Box" are present and complete.
2. Inspect the product for damage. DO NOT install the product if there is any damage. Contact the authorized retailer where you purchased it to initiate a warranty claim if there is damage.
3. Verify that all power supply and/or charging systems comply to the specified voltage limits for the light.

NOTES:

In using this guide, you agree J.W. Speaker is not responsible for any damage, misuse, or personal injuries. This document is intended as an educational guide only and does not make guarantees on any finished results.

To properly install this light you should have a good understanding of automotive electrical procedures and systems, and proficiency in the installation of lights. **IF YOU DO NOT, PLEASE SEEK PROFESSIONAL ASSISTANCE.**



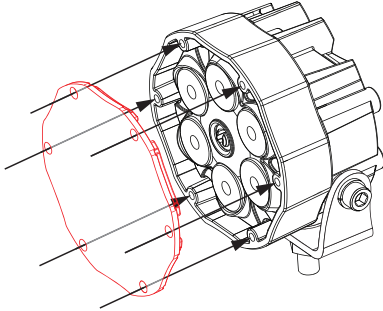
INSTALLATION INSTRUCTIONS:

BEFORE BEGINNING: J.W. Speaker's Trail 6 Amber/White™ is a Work/Signal Light for the heavy-duty trucking/mining market.

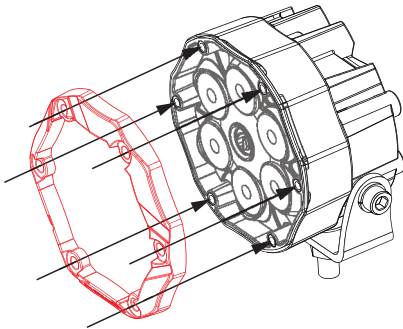
IMPORTANT: Trail 6 Amber/White™ defaults to White LEDs when both Amber and White are powered together or when toggle is alone and first powered.

To toggle to Amber LEDs must be applied and quickly turn the light off and back on again. Repeat to toggle back to White LEDs. Remember to use the correct toggle install wires: red and black.

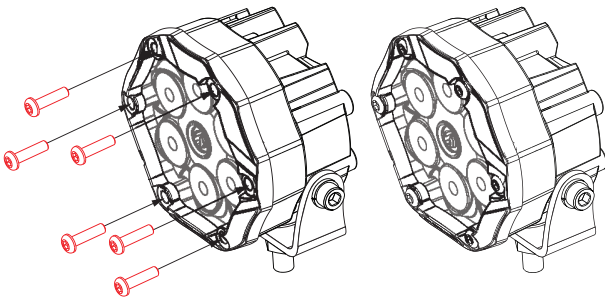
1. First choose between the Spot, Flood, or Wide Flood lens (#3) to install. Lay the lens flat on top of the light.



2. Place the outer bezel (#2) on the lamp over the lens. Be sure the J.W. Speaker logo on the outer bezel is oriented at the bottom of the lamp.



3. Take 6 of the M4 bezel screws (#1), place them in the holes of the outer bezel, and fasten the lens and bezel to the light using the T20 Torx Wrench. Repeat steps 1-3 on the other light.



4. Once assembled, attach the light as a bracket, hanging, or panel mount to the vehicle. For hanging or bracket option: Insert the mounting bolt (#6) through the bracket, add a washer (#10) to the bolt under the bracket, then tighten a hex

nut (#8) to the bolt.

5. Aim Trail 6 Amber/White as desired and fasten the side bolts (#5) using 5mm Hex Key. Plug in the provided harness into the back of the lamp.

6. Test to make sure the light is working.