

# 4" Round Rubber Mounting Grommet for

## Model 234

### PRODUCT INFORMATION

---

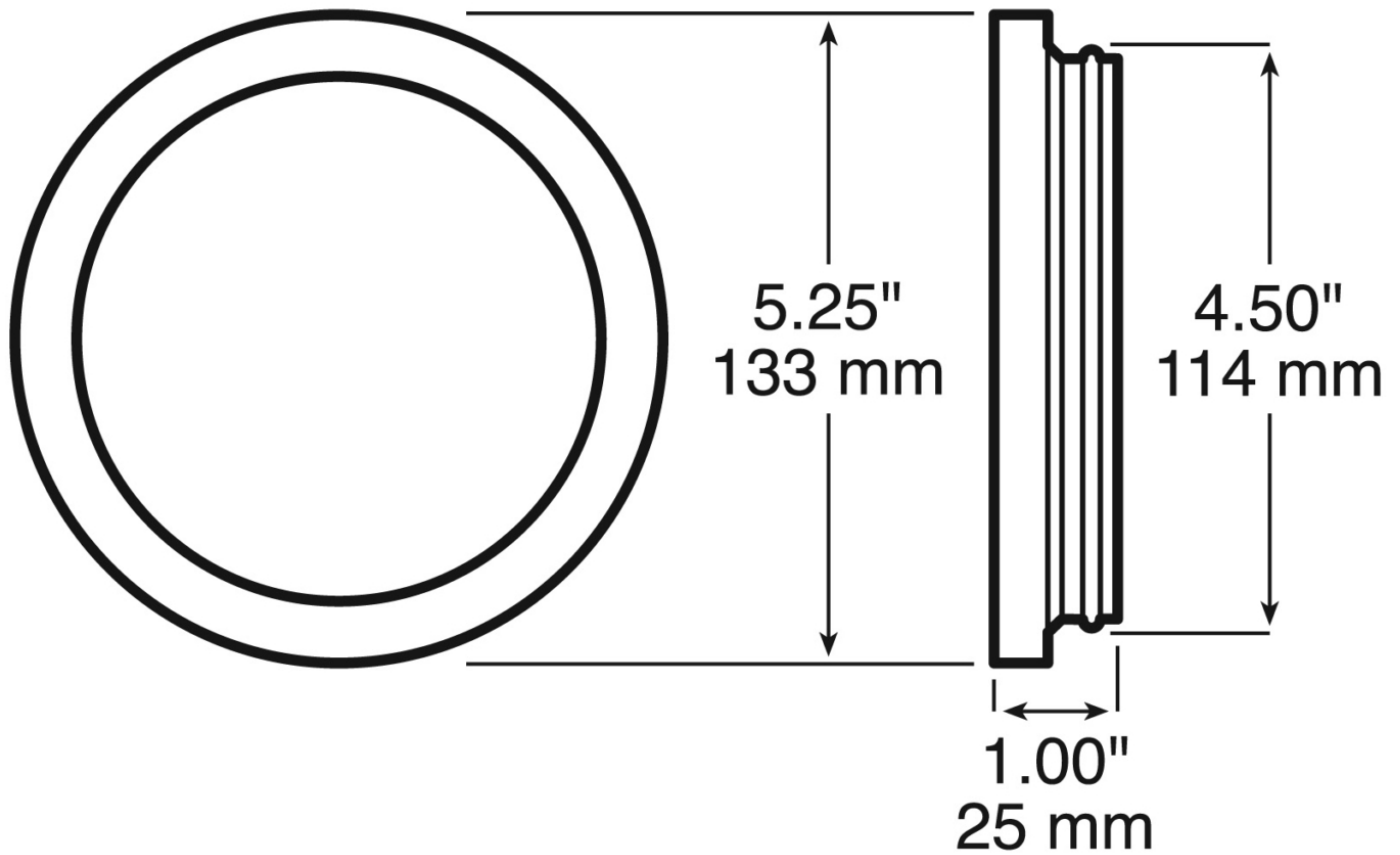
<b>Description</b>	4" Round Rubber Mounting Grommet for Model 234
<b>Height</b>	5.32 mm / 0.21 in
<b>Width</b>	5.32 mm / 0.21 in
<b>Depth</b>	1.03 mm / 0.04 in
<b>Shape</b>	Round
<b>Housing Material</b>	Rubber
<b>Housing Color</b>	Black
<b>Mounting Hardware Description</b>	(x1)
<b>Product Weight</b>	0.00 lbs / 0 kgs
<b>Additional Information</b>	Designed to fit Diameter for a 4.50" panel hole.



# 4" Round Rubber Mounting Grommet for

## Model 234

### PRODUCT DIMENSIONS



### REGULATORY STANDARDS COMPLIANCE



Buy America Standards

Eco Friendly

# 4" Round Rubber Mounting Grommet for Model 234

## APPLICATIONS



## MODEL 234 MOUNTING ACCESSORIES

J.W. Speaker offers a variety of mounting accessories, sold separately from the tail lights as single parts.

- Chrome Finish Plastic Trim Ring can be used with the Rubber Mounting Grommet (2 & 1).
- Stainless Steel Trim Ring can be used with the Plastic Mounting Flange (4 & 3).



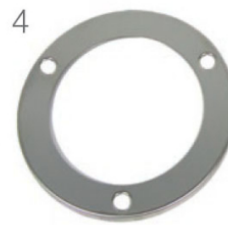
Part No. 3270501



Part No. 8200451

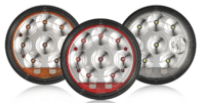


Part No. 5869401



Part No. 8200441

## SUITS THESE PRODUCTS



### **4" Heated & Non-Heated Tail Lights**

LED Tail Lights - Model 234