

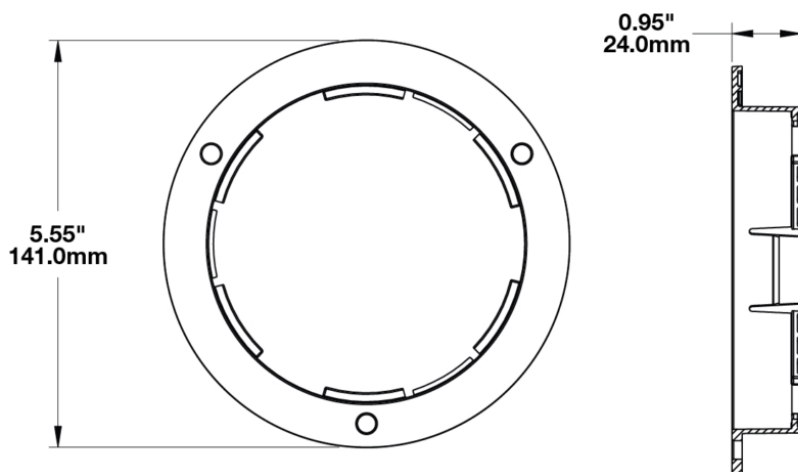
4" Round Plastic Mounting Flange for Model 234

PRODUCT INFORMATION

Description	4" Round Plastic Mounting Flange for Model 234
Height	141.00 mm / 5.55 in
Width	141.00 mm / 5.55 in
Shape	Round
Housing Material	Plastic
Housing Color	White
Mounting Hardware Description	(x1)
Product Weight	0.00 lbs / 0 kgs
Shipping Weight	0.15 lbs / 0.07 kgs
Additional Information	Designed to fit Diameter for a 4.50" panel hole.



PRODUCT DIMENSIONS



4" Round Plastic Mounting Flange for Model 234

REGULATORY STANDARDS COMPLIANCE



Buy America Standards



Eco Friendly

APPLICATIONS



MODEL 234 MOUNTING ACCESSORIES

J.W. Speaker offers a variety of mounting accessories, sold separately from the tail lights as single parts.

- Chrome Finish Plastic Trim Ring can be used with the Rubber Mounting Grommet (2 & 1).
- Stainless Steel Trim Ring can be used with the Plastic Mounting Flange (4 & 3).



Part No. 3270501



Part No. 8200451



Part No. 5869401



Part No. 8200441

4" Round Plastic Mounting Flange for Model 234

SUITS THESE PRODUCTS



4" Heated & Non-Heated Tail Lights

LED Tail Lights - Model 234