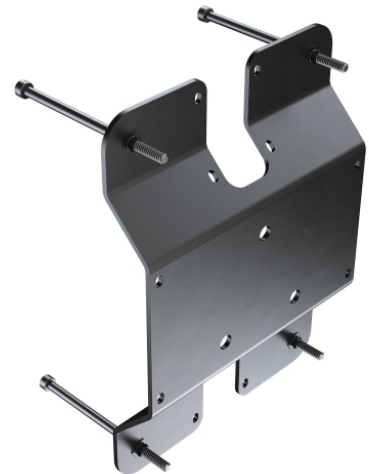


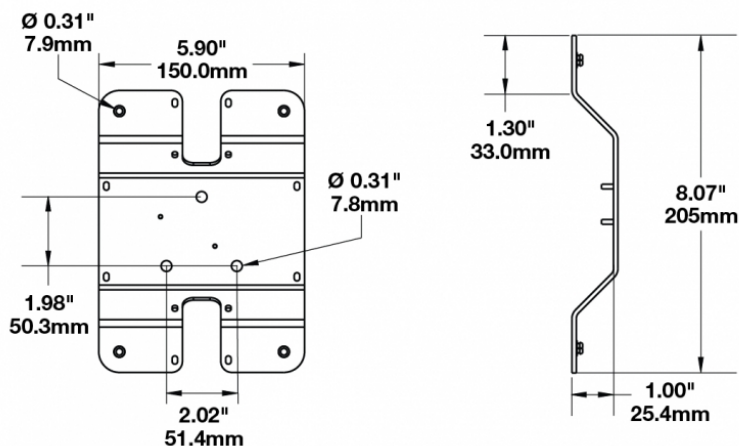
Mounting Kit for Model 279 - 2 Light Kit

PRODUCT INFORMATION

Description	Mounting Kit for Model 279 - 2 Light Kit
Height	205.00 mm / 8.07 in
Width	150.00 mm / 5.91 in
Depth	25.40 mm / 1 in
Shape	Rectangular
Housing Color	Black
Mounting Hardware Description	(x4) 40-.25 x Mounting Screws
Mounting Type	Universal Mount
Shipping Weight	2.95 lbs / 1.34 kgs
Additional Information	Kit includes (2) mounting brackets and (4) screws to mount bracket to Model 279 tail light. Use existing hardware to mount bracket to vehicle.



PRODUCT DIMENSIONS



Mounting Kit for Model 279 - 2 Light Kit

REGULATORY STANDARDS COMPLIANCE



Buy America Standards



Eco Friendly

APPLICATIONS



SUITS THESE PRODUCTS



6" x 8" LED Tail Lights

LED Tail Lights - Model 279