

The AUTECO is indeed a fantastic device with one single button (or other input) you can turn on your accessory circuit AND your ignition, together or separate. The following instructions will serve as a valuable guide to the correct wiring of this amazing unit.



IMPORTANT INFORMATION!

- 1 You must use relays on ALL outputs except for Status LED output.
- 2 All outputs are negative trigger.

Unit Operation

Accessory Operation

1. Press button (blue input 1) for 1 second to turn on accessory mode (radio, etc.).
 2. Press button again (blue input 1) for 1 second to turn accessory mode off.
- * Trigger polarity (+/-) is selectable on option 8 of the programming menu.
 0 = negative
 1 = positive

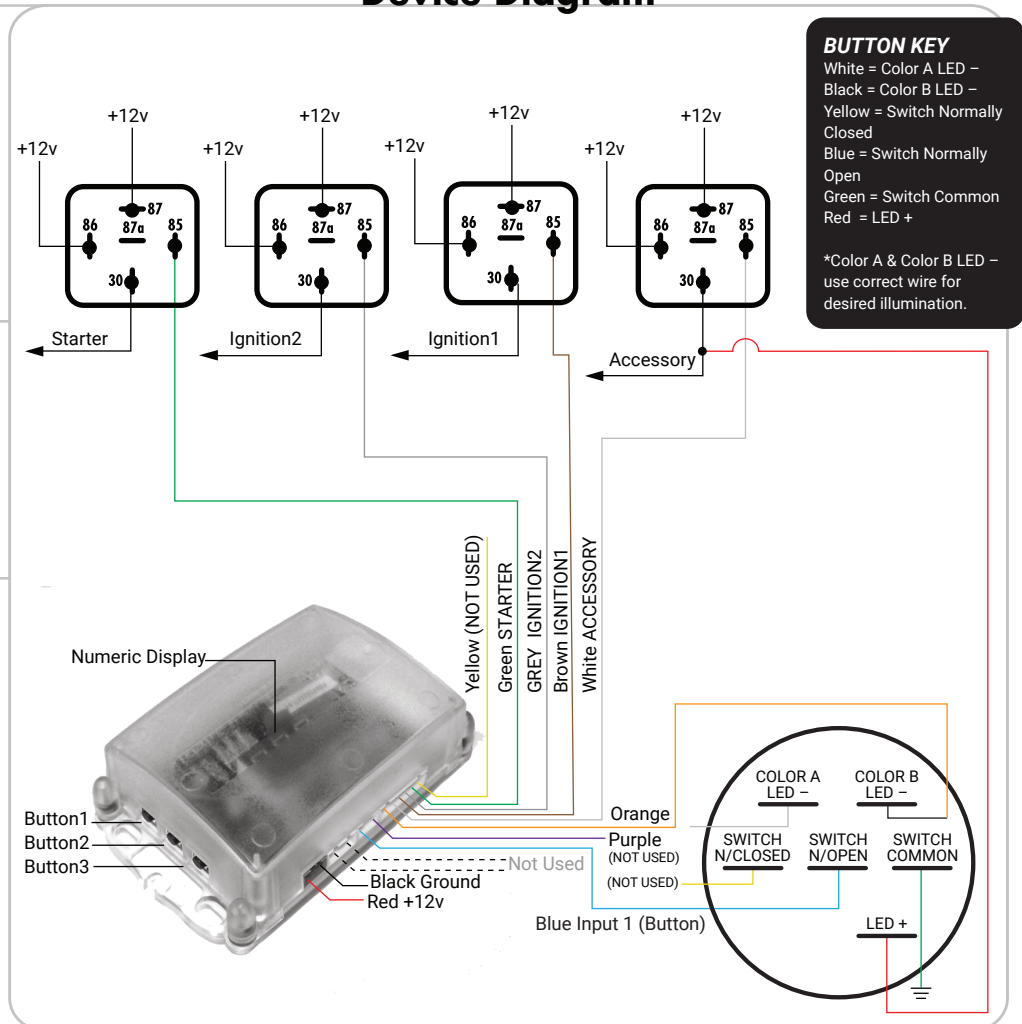
Starter/Ignition Operation

1. Press button (blue input 1) for more than 3 seconds. Ignition and accessory will activate after 2 seconds, and starter will crank for a programmed length of time.
2. To turn vehicle off, press and hold button (blue input 1) for more than three seconds.

Setting Crank Duration

1. Press button 1 for 5 seconds. Display will light.
2. Use buttons 2 and 3 to get display to indicate the number 2.
3. Press button 1 once to confirm selected time mode (3), then press button 2 or 3 to select the desired output time in half-second intervals. (cranking time)
4. Press button 1 once to confirm selected output time.
5. Press button 1 once or wait ten seconds and the device will exit time setting mode.

Device Diagram



Time Settings

1. Press button 1 for five seconds to enter programming mode. Digital display will illuminate.
2. Press buttons 2 or 3 to scroll through modes. Press button 1 to choose the desired mode to change. (1 through 9) The chart below shows recommended settings.
3. Press buttons 2 and 3 to adjust selected mode value. The chart below shows the recommended settings.
4. Press button 1 to save your setting.
5. Repeat steps 2 through 4 until all modes have desired settings.
6. Wait for 15 seconds to allow the unit to auto exit program mode.
7. Push the button to test operation. Adjust mode settings until you are satisfied.

Recommended defaults:

1. 2.5 (seconds before start mode triggered. Less than 2.5 will not start vehicle.)
2. 1.5 (Crank duration/Starter engagement time)
3. 1.0 (delay between ignition on and starter engagement. Diesels require a longer delay.)
4. Not Used
5. 0.5 (Button rate of flashing when in accessory mode)
6. Not Used
7. Not Used
8. 0 (Trigger polarity: negative trigger=0, positive trigger=1)
9. Not Used

HANDS FREE KEYLESS ENTRY

Basic AUTHF500 Operation with Ground Output

Use these instructions when pairing Engine Start Activation Control Unit (AUTEC0) with Hands Free Key Fob Immobilizer (AUTHF500) for Hands Free Keyless Entry.

