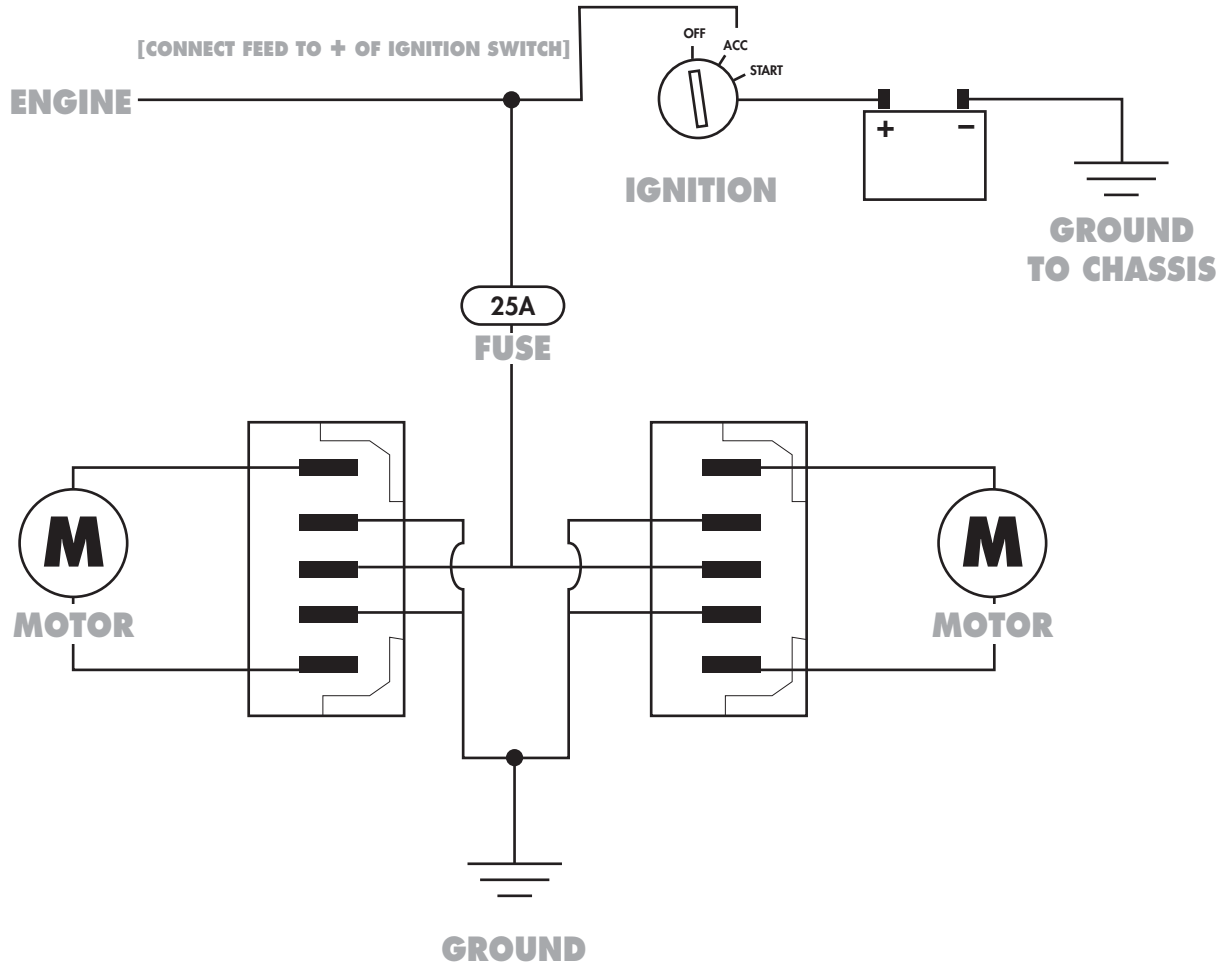


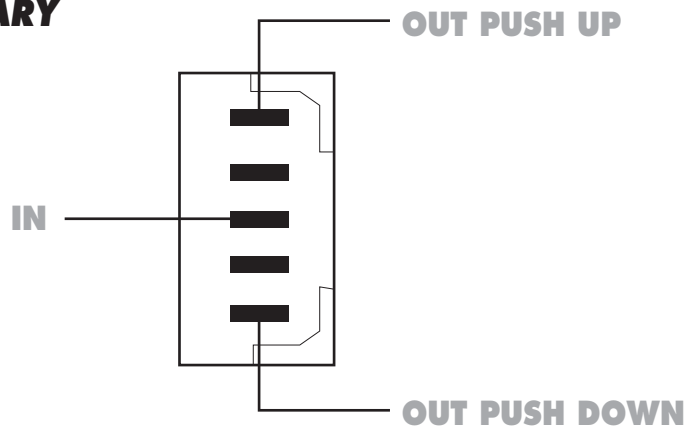
# ELECTRIC ROCKER SWITCHES

## 5 PIN SWITCH - KICSW1, KICSW2, KICSW3, KICSW4, KICSW5, KICSW6

### REVERSE POLARITY



### MOMENTARY

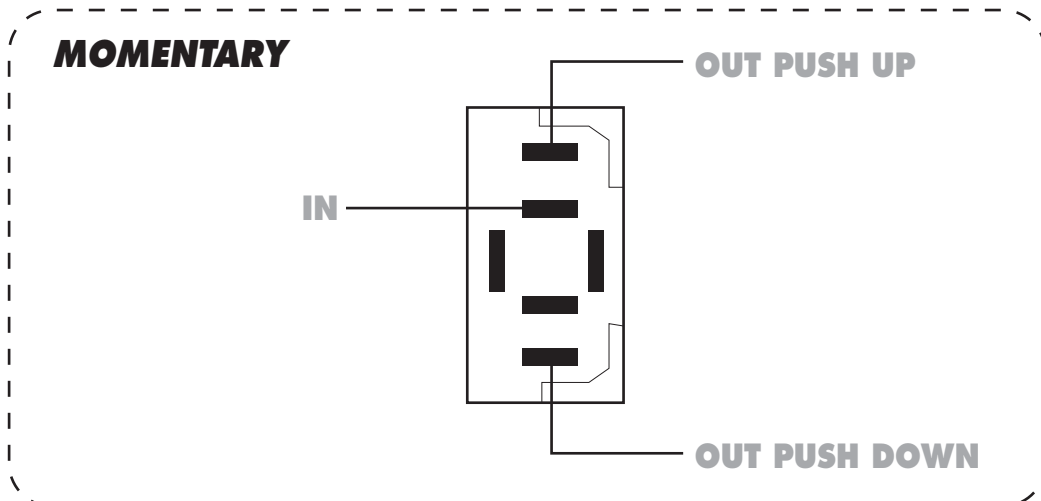
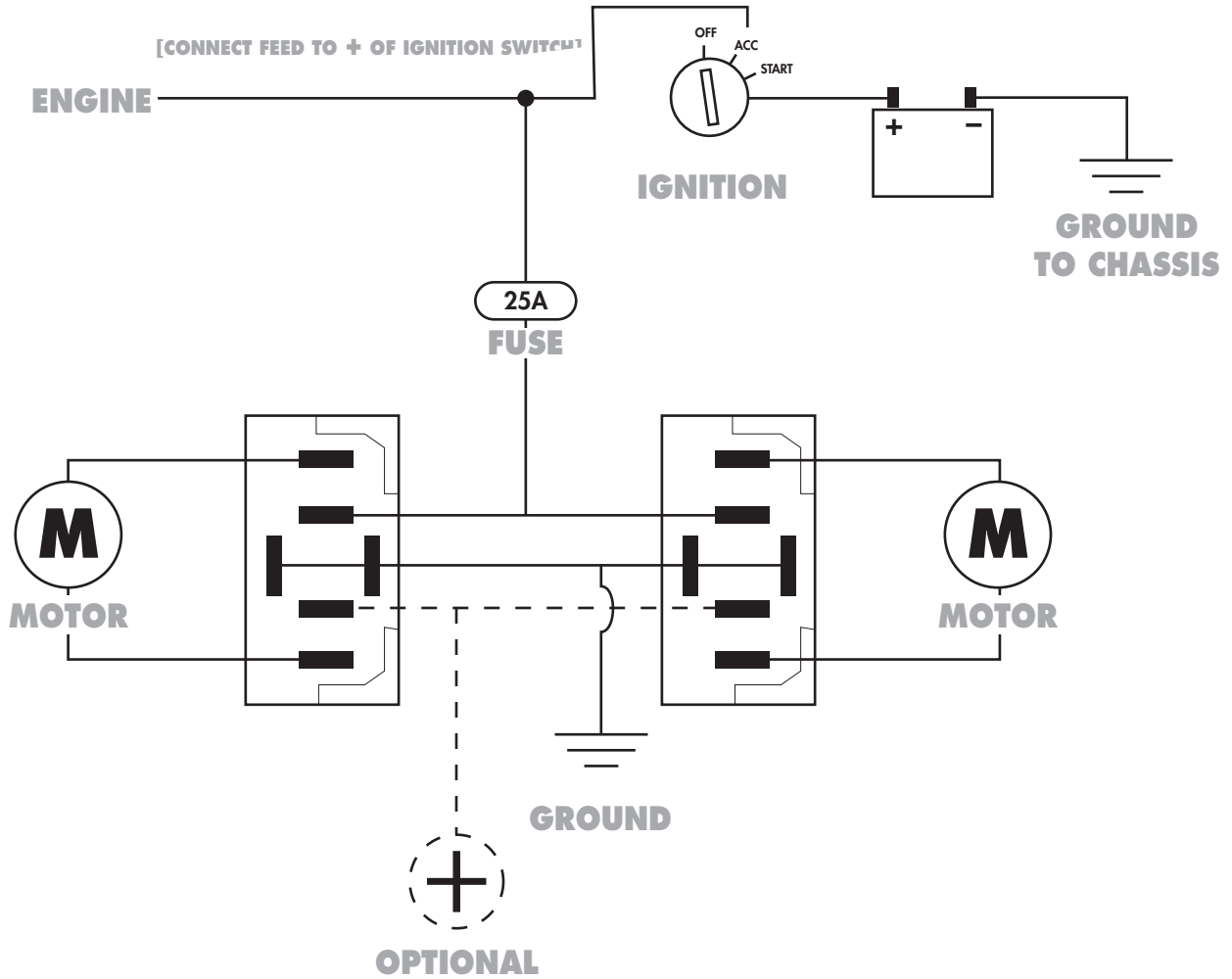


# USER GUIDE AND INSTALLATION MANUAL ELECTRIC ROCKER SWITCHES



**6 PIN SWITCH - KICSW8, KICSW9, KICSW9B, KICSW9BF, KICSW10, KICSW11, KICSW12, KICSW13, KICSW14**

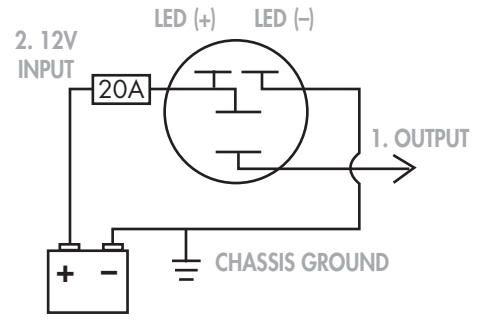
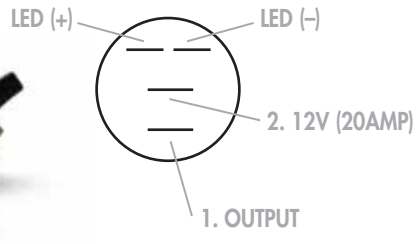
## REVERSE POLARITY



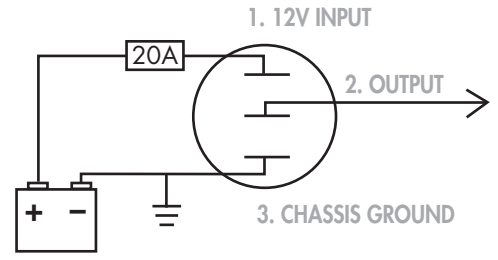
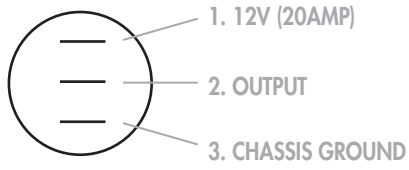
# USER GUIDE AND INSTALLATION MANUAL ELECTRIC ROCKER SWITCHES



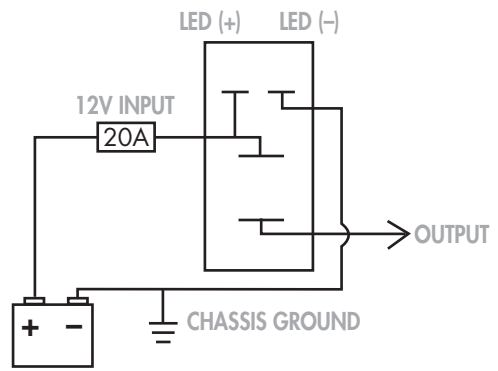
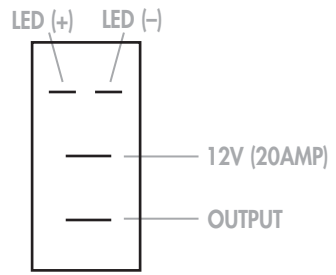
## KICSW15, KICSW18, KICSW19



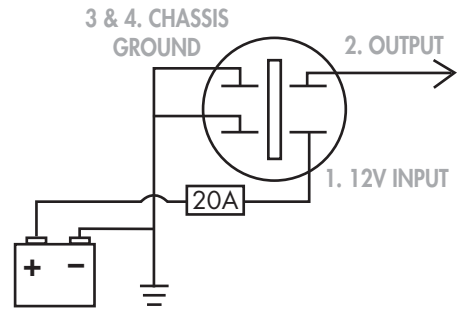
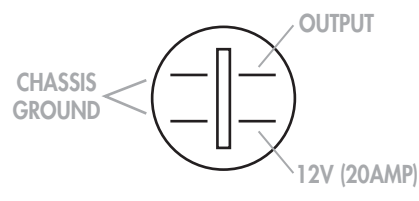
## KICSW16, KICSW31



## KICSW29



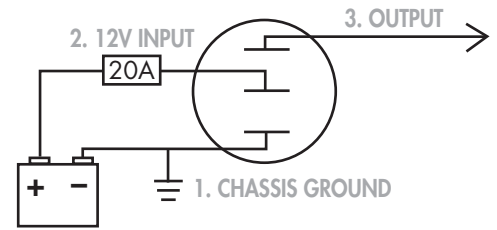
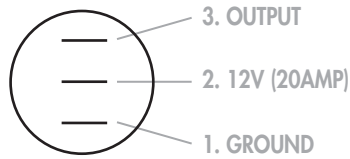
## KICSW32



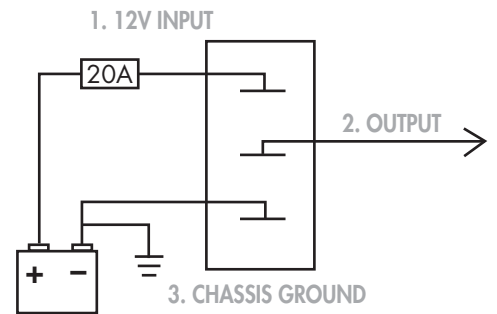
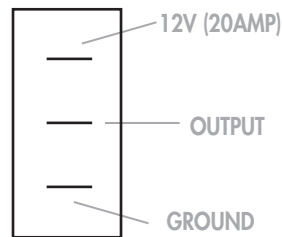
# USER GUIDE AND INSTALLATION MANUAL ELECTRIC ROCKER SWITCHES



## KICSW33



## KICSW17, KICSW25, KICSW26, KICSW27, KICSW28, KICSW30, KICSW34



## KICSW20, KICSW24, KICSW35

