



*PRODUCTS*



*GET HOOKED*™

*DON'T GET STUCK WITHOUT US!*

VOLUME 4.3



# KFI TIGERTAIL™ TOW SYSTEM

## KFI TigerTail™ Tow System

The Toughest & Quickest, Tangle Free Tow System for ATVs and UTVs...Period!

TigerTail is the only QUALITY ATV and UTV retractable tow rope available today! Superior to a tow strap and wicked fast compared to any electric winch. Its retractable design allows for a quick, easy and clean use for towing or as an anchor-line during poor underfoot winch operations! The best of tow systems!!

### Features:

- **MADE IN USA.**
- 12 Feet of 12,000 lb Avg. Breaking Strength Rope with wear resistant coating
- Self Locking Hook Storage
- 3/16" Grade 50 Steel Construction
- Fully sealed and lubricated mechanism tested to 14,000+ cycles
- Shot Blasted and Powder coated Black for supreme durability
- Convenient Operation and Easy to use
- Quality Built and Dependable Performance
- Rugged design for the toughest environments – no electrical parts to burn up
- Constant Tension
- Keeps your gear clean – no more dirty tow straps to carry
- 100% serviceable components
- Fully integrates to your ATV or UTV – never left behind
- Patented



### Specifications:

- Weight: 9 lbs
- Length x Width x Height: 10" x 6" x 8"
- Rope Length: 12 feet with wear resistant coating
- Average Rope Break Strength: 12,000 lbs

No. 101110	KFI TigerTail 2" Receiver Adjustable Mount
No. 101115	KFI TigerTail 1-1/4" Receiver Adjustable Mount
No. 101120	KFI TigerTail Tow System
No. <b>101140</b>	KFI TigerTail Ball/Pin Hitch Adaptor

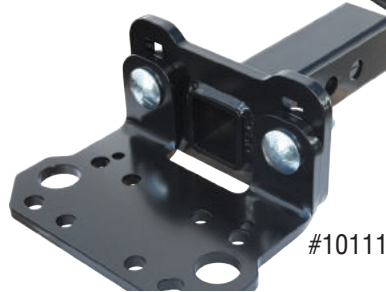
#101120



#101115



#101110



**NEW**

#101140



## KFI Tiger Tail™ Tow System Complete Kits

### Specifications:

- Includes Tiger Tail Tow System #101120 and either the 1-1/4" or 2" Receiver Adjustable Mount

No. 101100	KFI Tiger Tail Tow System and 2" Receiver Adjustable Mount Kit
No. 101105	KFI Tiger Tail Tow System and 1-1/4" Receiver Adjustable Mount Kit



All numbers in **BLUE** are new for this year.

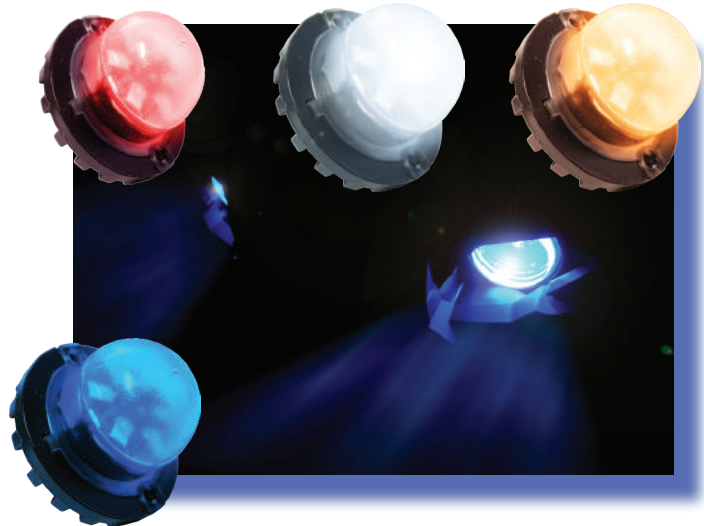




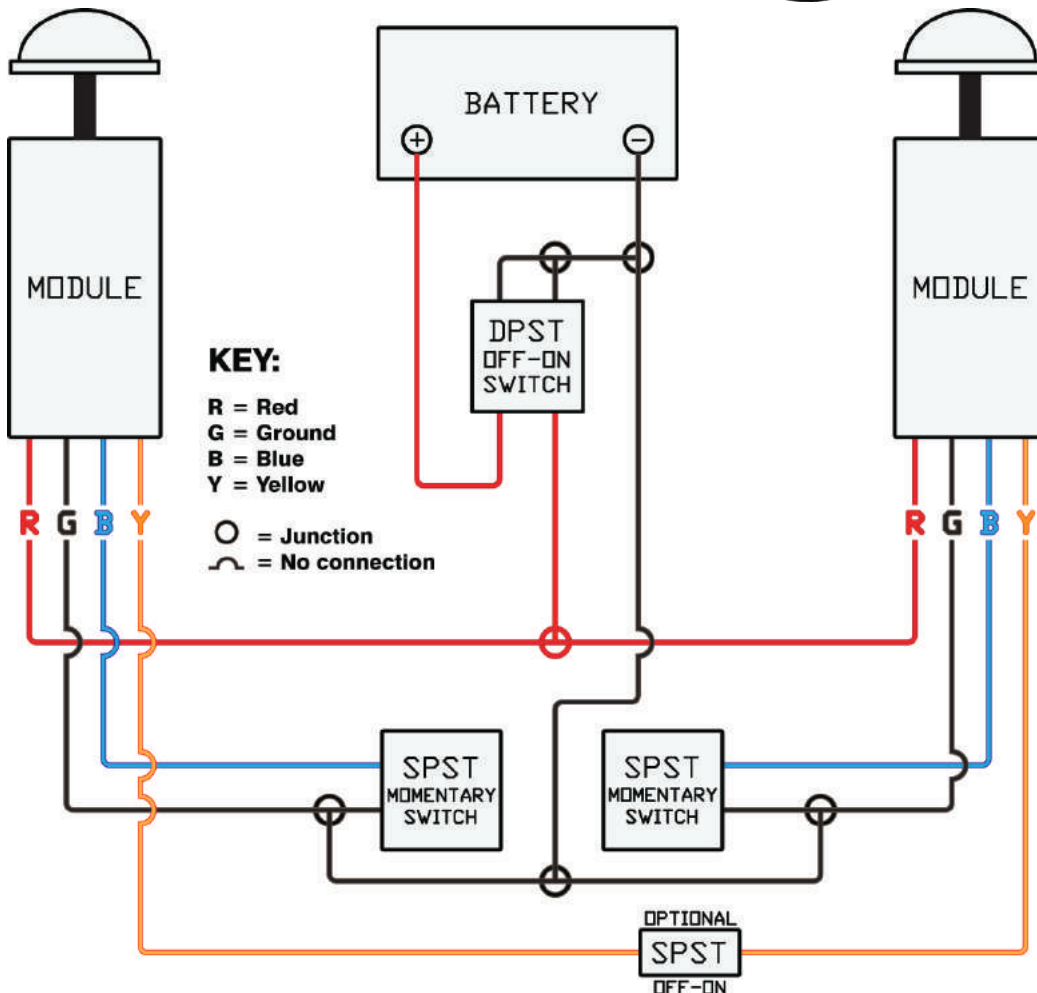
## KFI 's LED Strobe Lights

### Specifications:

- 6-LED's
- 20 Flash Patterns
- Internal or Surface Mount
- Waterproof Driver Module
- U.V. Safe Polycarb Lens
- 2-yr Warranty
- LED Head Module
- LED Driver Module
- 9 FT Cable
- Mounting Gasket
- Surface Mount Bezel included for surface mounting
- #6 self tapping screws for mounting
- Works on ATV's, UTV's, Snowmobile's, Automobiles, Motorcycles and others



No. LED-S-AM	KFI LED Strobe Light (AMBER)
No. LED-S-BL	KFI LED Strobe Light (BLUE)
No. LED-S-RB	KFI LED Strobe Light (Multi Colored Red & Blue)
No. LED-S-RD	KFI LED Strobe Light (RED)
No. LED-S-WH	KFI LED Strobe Light (WHITE)





# ATV/UTV WINCHES

**NEW LOOK**

## ATV and UTV Steel Cabled Winches

Each KFI winch kit features quality cast aluminum and durable steel components and comes with a full complement of accessories including Premium Roller Fairlead, a fairlead bracket for mounting to trailers or other non-ATV applications, Handlebar Mini-Rocker Switch, 14' corded hand held remote on 3000 or larger, all of the hardware to mount your winch to a model specific ATV/UTV winch mount, a Heavy Duty Electric Contactor that protects the electrical system and detailed installation instructions. An ATV/UTV model specific winch mount must be purchased separately. They are also backed by a KFI 1-Year Limited Warranty.



**WATER RESISTANT**

### ST17 WINCH

This compact 1700lb Sport Trail Series winch features water resistant seals to keep the elements out, a standard 4-hole mounting design and a heavy duty 3-stage planetary gear system with all metal enclosures.

- Rated Line Pull: 1700 lbs.
- Motor: 12V DC, 0.58 hp permanent magnet.
- Gear Ratio: 103:1.
- Cable: 5/32" D x 49' L.
- Winch Dimensions: 10.56" L x 3.85" D x 4.7" H.
- Mounting Bolt Pattern: 3.00" X 4.875" (4-Hole).
- Winch Weight: 17.6 lbs.

No. ST17



**WATER RESISTANT**

### A2500-R2 WINCH

This 2500lb ATV Series winch features Water Resistant seals to keep the elements out, a standard 4-hole mounting design and a heavy duty all metal turn clutch.

- Rated Line Pull: 2500 lbs.
- Motor: 12V DC, 1.2 hp permanent magnet.
- Gear Ratio: 171:1.
- Cable: 3/16" D x 45.9' L.
- Winch Dimensions: 12.67" L x 4.06" D x 4.2" H.
- Mounting Bolt Pattern: 3.00" x 4.875" (4-Hole).
- Winch Weight: 24.8 lbs.

No. A2500-R2



**WATER RESISTANT**



### A3000 WINCH

This 3000lb ATV Series winch features Water Resistant seals to keep the elements out, a standard 4-hole mounting design and a heavy duty all metal turn clutch.

- Rated Line Pull: 3000 lbs.
- Motor: 12V DC, 1.5 hp permanent magnet.
- Gear Ratio: 171:1.
- Cable: 3/16" D x 45.9' L.
- Winch Dimensions: 12.67" L x 4.06" D x 4.2" H.
- Mounting Bolt Pattern: 3.00" x 4.875" (4-Hole).
- Winch Weight: 24.8 lbs.
- Hand-held remote included.

No. A3000



U4500



**WATER RESISTANT**

U4500w



### U4500 and U4500W WINCH

This 4500lb UTV Series winch features Water Resistant seals to keep the elements out, a standard 4-hole mounting design and a heavy duty all metal turn clutch. Available in standard or wide.

- Rated Line Pull: 4500 lbs.
- Motor: 12V DC, 1.7 hp permanent magnet.
- Gear Ratio: 166:1.
- Standard Cable: 15/64" D x 38' L.
- Wide Cable: 15/64" D x 52' L.
- Standard Winch Dimensions: 14.6" L x 4.55" D x 4.82" H.
- Wide Winch Dimensions: 16.36" L x 4.55" D x 5" H.
- Standard Mounting Bolt Pattern: 3.00" x 4.875" (4-Hole).
- Wide Mounting Bolt Pattern: 3.00" x 6.6" (4-Hole).
- Standard Winch Weight: 35.5 lbs.
- Wide Winch Weight: 35.5 lbs.
- Hand-held remote included.

No. U4500

Standard

No. U4500w

Wide



# STEALTH ATV/UTV WINCHES



## ATV and UTV Synthetic Cabled Winches

**STEALTH WINCHES AVAILABLE THROUGH DISTRIBUTION ONLY**

The KFI Stealth Series is our line of Synthetic Cabled Winches ranging from 2500lbs to 4500lbs. Each KFI Stealth winch kit features quality cast aluminum and durable steel components, Stealthed out with a full complement of accessories including Smoke colored Synthetic Cable, Cable Hook Stopper (#ATV-CHS), Premium Black Roller Fairlead, fairlead bracket for mounting to trailers or other non-ATV applications, Handlebar Mini-Rocker Switch, 14' corded hand held remote on the SE35 and SE45, black plated hardware to mount your winch to a model specific ATV/UTV winch mount, a Heavy Duty Electric Contactor that protects the electrical system, all required wiring and detailed installation instructions. An ATV/UTV model specific winch mount must be purchased separately. They are also backed by a KFI 1-Year Limited Warranty.

**WATER RESISTANT**

**ONE YEAR LIMITED WARRANTY**



### SE25 STEALTH WINCH

This 2500lb ATV Stealth Series winch features Synthetic Cable, Cable Hook Stopper, a dynamic and mechanical braking system, Water Resistant seals to keep the elements out, a standard 4-hole mounting design and a heavy duty all metal turn clutch.

- Rated Line Pull: 2500 lbs.
- Motor: 12V DC, 1.2 hp permanent magnet.
- Gear Ratio: 171:1.
- Synthetic Cable: 3/16" D x 50' L. (Smoke Color)
- Winch Dimensions: 12.67" L x 4.06" D x 4.2" H.
- Mounting Bolt Pattern: 3.00" x 4.875" (4-Hole).
- Winch Weight: 22.7 lbs.
- Cable Hook Stopper Included (#ATV-CHS)

No. SE25

**WATER RESISTANT**

**ONE YEAR LIMITED WARRANTY**



### SE35 STEALTH WINCH

This 3500lb ATV/UTV Stealth Series winch features Synthetic Cable, Cable Hook Stopper, a dynamic and mechanical braking system, Water Resistant seals to keep the elements out, a standard 4-hole mounting design and a heavy duty all metal turn clutch.

- Rated Line Pull: 3500 lbs.
- Motor: 12V DC, 1.5 hp permanent magnet.
- Gear Ratio: 171:1.
- Synthetic Cable: 3/16" D x 50' L. (Smoke Color)
- Winch Dimensions: 12.97" L x 4.06" D x 4.2" H.
- Mounting Bolt Pattern: 3.00" x 4.875" (4-Hole).
- Winch Weight: 24.5 lbs.
- Cable Hook Stopper Included (#ATV-CHS)
- Hand-held remote included.

No. SE35

**WATER RESISTANT**

**ONE YEAR LIMITED WARRANTY**



### SE45 and SE45w STEALTH WINCH

This 4500lb UTV Stealth Series winch features Synthetic Cable, Cable Hook Stopper, a dynamic, mechanical and drum braking system, Water Resistant seals to keep the elements out, a standard or wide 4-hole mounting design and a heavy duty all metal turn clutch.

- Rated Line Pull: 4500 lbs.
- Motor: 12V DC, 1.7 hp permanent magnet.
- Gear Ratio: 166:1.
- Standard Synthetic Cable: 15/64" D x 38' L. (Smoke Color)
- Wide Synthetic Cable: 15/64" D x 50' L. (Smoke Color)
- Standard Winch Dimensions: 14.6" L x 4.55" D x 4.82" H.
- Wide Winch Dimensions: 16.36" L x 4.55" D x 4.82" H.
- Standard Mounting Bolt Pattern: 3.00" x 4.875" (4-Hole).
- Wide Mounting Bolt Pattern: 3.00" x 6.6" (4-Hole).
- Standard Winch Weight: 32 lbs.
- Wide Winch Weight: 34.4 lbs.
- Cable Hook Stopper Included (#ATV-CHS)
- Hand-held remote included.

No. SE45

Standard

No. SE45w

Wide

**NEW**



# WINCH ACCESSORIES

## ROLLER FAIRLEAD

- Nylon bushings.
- Zinc plated rollers.
- Powder coated black.
- Hardware included.



No. **ATV-RF** Standard 4.875" Bolt Pattern

No. **UTV-RF** WIDE 6.00" Bolt Pattern

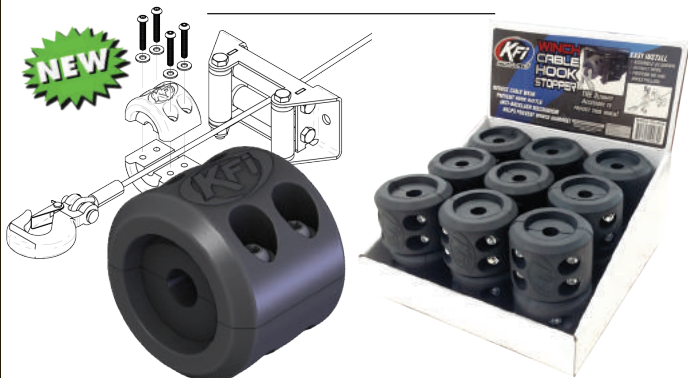
## Stealth POM ROLLER FAIRLEAD

- First Ever Special POM Rollers.
- Ideal use for Synthetic Cables (ONLY)
- Powder coated black frame.
- Hardware included.



No. **SE-RF** Standard Stealth Black 4.875" Bolt Pattern

No. **SE-WRF** WIDE Stealth Black 6.00" Bolt Pattern



## WINCH CABLE HOOK STOPPER

The Cable Hook Stopper will fit between the two outside rollers on an ATV or UTV winch fairlead. Works great with synthetic rope and/or the Hawse fairlead.

- Eliminates wear and tear on your rollers from the hook.
- Eliminates hook clatter from going down the trail.
- Protects the winch motor and gears from pulling the cable in too far and bottoming out on the rollers.
- Keeps tension on the hook to eliminate the cable from becoming loose.
- Can also work as an anti-kick back for the cable if your cable were to snap.
- Looks great.
- Once you have one, everyone else that you ride with will want one!

No. **ATV-SCHS** Single (Clam Shelled)

No. **BOX-SCHS** CASE-18 pack (Counter Top)

## PLOW FAIRLEAD PULLEY BRACKET

- Replaces standard winch fairlead during plow season.
- Provides larger 2-1/8" diameter roller for smoother cable movement when plowing compared to standard 7/8" rollers.
- Roller has a curved cable groove to help eliminate cable flattening that leads to snapped cables during the plowing season.
- Eliminates potential cable kink due to small



roller diameter and severe pulling angles.

- Multiple roller positions for different applications and cable angles.
- For steel cable use only.

No. **105270** Standard 4.875" Bolt Pattern

No. **105465** WIDE 6.00" Bolt Pattern



## ATV SNATCH BLOCK

- 3/16" material.
- Doubles your winches lbs. rating.
- Powder coated.
- 1-1/2" diameter holes for hooking onto.
- Over-all Size: 3.00"W x 5.75"L x 1.375"D.
- 8,000 lbs. rating (turns your 8,000 lbs into 16,000 lbs).



No. **ATV-SB**

## SHACKLE

- Heavy duty 6000lb
- Zinc plated.
- Over-all size 3.5" x 4" x 1".



No. **ATV-SH**

## TREE SAVER

- 3" x 6'.
- Heavy duty.
- 15000 lb. rating.



No. **ATV-TS**



## REPLACEMENT CONTACTOR BLOCK

Works with all KFI winches and can also work with other branded winches

No. **ATV-CONT**



## MINI-ROCKER HANDLEBAR SWITCH

Take control of your winch with the Mini-Rocker Switch that comes with an adjustable bracket to mount it to your ATV's handlebars and allows you to control your winch with the touch of your finger without ever letting go of your handlebars.

No. **ATV-MR**

## UNIVERSAL 12V WIRING KIT

Kit Includes:

- Handlebar Mini-Rocker Switch.
- Heavy Duty Electrical Contactor.
- Color coded wires for both winch and battery.
- Installation Manual



No. **ATV-WK**

## UTV WIRE EXTENSION KIT



Kit Includes:

- 11' Battery Cable with ends
- 6 gage wires
- Terminal Covers
- Color coded wires tips for winch.
- Required on some SxS/UTV's to reach Battery in rear seat area



No. **UTV-WEK**

## UNIVERSAL 14' CORDED REMOTE KIT

- Universal 12V remote with 14' cord.
- Power in/power out.
- Small compact design.
- Compatible with most 12V ATV winch systems that have the standard contactor.
- Includes socket for plugging in the remote that can be placed where desired.



No. **ATV-HR**





## REPLACEMENT CABLE HOOK

- Black E-Dipped
- Can be used on other brand winches
- Removable
- Clevis included



No. SE-HOOK Replacement Stealth Winch Hook

## REPLACEMENT CABLES

- Super-Duty Galvanized Aircraft Cable
- UTV cables come with eyelets on connection end
- Can be used on other brand winches
- Heavy-Duty cable loop thimble on hook end



No. ATV-CBL-2K	5/32" (D) x 49' (L)	for 2000lb winches and below
No. ATV-CBL- 3K	3/16" (D) x 45.9' (L)	for 2500-3500lbs winches
No. UTV-CBL- 4K	15/64" (D) x 38' (L)	for Standard 4000-5000lbs winches with a 3.00 x 4.875" bolt pattern
No. UTV-CBL-4KW	15/64" (D) x 52' (L)	for Wide 4000-5000lbs winches with a 3.00 x 6.60" bolt pattern



# ATV-WRC

## WIRELESS REMOTE

- Wireless Remote Holder can be mounted to your dash or Handle Bars
- Remote power ON/OFF with Automatic timed Power OFF
- Water resistant seals on receiver box
- Up To 75' Distance (dependent on obstructions and interference)
- Easy to use with gloves on
- D-Ring Clip and Lanyard Included for easy carrying

No. ATV-WRC Wireless Remote Control (for adding a wireless remote to any existing winch with a standard ATV Contactor)



## WINCH COVERS

**Kit Includes:**

- Made from durable, washable Neoprene
- Adjustable drawstring
- Protects from the elements
- Works great on the Multi-Mounts



**No. WC-SM** Fits 1,500 lb. to 4,500 lb. KFI Standard Width Winches and others

**No. WC-LG** Fits KFI U4500w (WIDE) Winch and others

## SYNTHETIC 50' WINCH LINE

High Strength 12-Strand Dyneema® Synthetic fiber rope has a higher breaking strength than that of steel cable and it is lighter. It won't bind up or develop those sharp frays that give nasty slivers.

**Specifications:**

- **High Strength SK75 Dyneema**
- Cable Strength
  - 3/16" Cable has an Average of 5400 lbs strength cable (for 3500lbs winches or less)
  - 1/4" Average of 7700 lbs strength cable (for 4000-5000lbs winches)
- 38' and longer cables include a sliding 5' protective sheath to protect against rough or sharp surfaces
- No kinks, curls, rust or splinters / Safe and easy to handle / Floats in water
- High Strength 12-Strand Dyneema® Synthetic fiber rope
- Comes with woven eyelet with protective sheath for any hooking system



**No. SYN19-B12** 3/16" x 12' Synthetic PLOW LINE Cable (Blue color)

**No. SYN19-S12** 3/16" x 12' Synthetic PLOW LINE Cable (Smoke color)

**No. SYN19-B50** 3/16" x 50' KFI Synthetic Winch Cable (Blue color)

**No. SYN19-S50** 3/16" x 50' KFI Synthetic Winch Cable (Smoke color)

**No. SYN23-B38** 15/64" x 38' KFI Synthetic Winch Cable (Blue color)

**No. SYN23-S38** 15/64" x 38' KFI Synthetic Winch Cable (Smoke color)

**No. SYN25-B50** 1/4" x 50' KFI Synthetic Cable (Blue color)

**No. SYN25-S50** 1/4" x 50' KFI Synthetic Cable (Smoke color)

## ALUMINUM HAWSE FAIRLEAD

- **100% MADE IN USA.**
- Aluminum material designed to work with synthetic cables.
- Eliminates cable pinch caused by roller fairleads and synthetic cable.
- Hardware included (not shown).
- Available for ATV winches and wide UTV winches.
- Bolt pattern is ATV standard 4.875" and UTV standard 6.00".



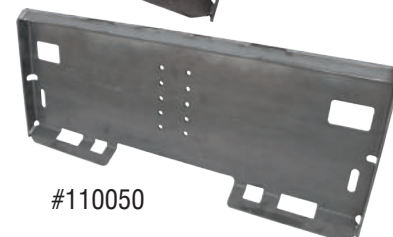
**No. ATV-HAWSE** ATV Standard

**No. UTV-HAWSE** UTV Wide

## SKID STEER ATTACHMENT MOUNT PLATES

**Specifications:**

- **100% MADE IN USA.**
- Heavy Duty one piece welded together design
- Constructed of:
  - 110040: 5/16" Grade 50 steel with a 3/8" thick Top Bar
  - 110050: 1/4" Grade 50 steel with a 3/8" thick Top Bar
- Plates are unpainted for ease of welding on attachments
- Added cutouts for stronger welding options to buckets and other attachments
- Fits all Skid Steers with the Universal Quick Attach mounting system
- Laser Cut and CNC Formed



**No. 110040** 5/16" Winged Plate

**No. 110050** 1/4" Solid Plate





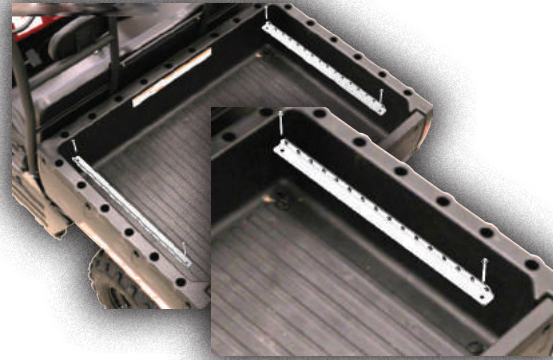
## RANGER CARGO RAILS

**Specifications:**

- 100% MADE IN USA.
- No Drilling required
- Multiple holes for bungee and cable straps
- Allows you to strap multiple items and keep them planted in your bed
- Bolt up pattern using 30" apart existing bed holes front to rear
- Keeps your cargo in the box while riding rough trails
- Sold in pairs
- Powder coated Black for supreme durability



No. 101005 Full Size Ranger 500/700/800



## UTV REAR DOUBLE TUBE BUMPER

**Specifications:**

- 100% MADE IN USA.
- Same tube size as OEM Front Bumper
- Constructed of high strength steel
- Unlike the competition our bumpers are shot blasted before they are powder coated for the best possible finish prep.
- Powder coated Black Wrinkle (textured) for supreme durability
- Bumper tilts with the bed



No. 100556	Yamaha Rhino (all)
No. 100890	Full Size 2005-2016 Ranger 500 / 700 / 800
No. 100890	2011-2016 BobCat 3200 and 3400 Series
No. 100990	Mid-Size Ranger 400 / 500 / 570 / 800 / EV
No. 101090	Full Size Ranger 570/900 XP



## ARCTIC CAT MODULAR GRILL-WINCH MOUNT-BUMPER

This is a Modular system designed to work with Arctic-Cat Wildcat. Below are the Modular components that can be purchased. With the Modular system the Grill Part #101000 is required.

No. 101000	Modular Grill (required for all other components)
No. 101010	Modular Bumper (#101000 required)
No. 101015	Modular Winch Mount (#101000 required and also works with #101010)
No. 101030	Winch Mount Combo Kit (Kit includes #101000 and #101015)





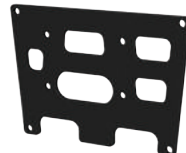
# ATV/UTV WINCH MOUNTS



No. 100140/150/230/300/340



No. 100330



No. 100335



No. 100372/3



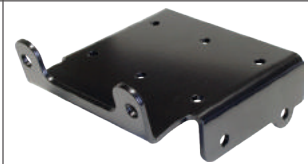
No. 100425



No. 100430



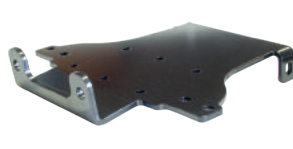
No. 100440



No. 100450



No. 100470/1



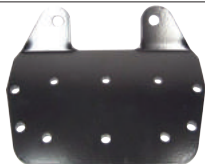
No. 100485



No. 100500



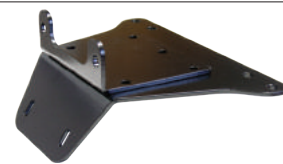
No. 100505



No. 100510



No. 100515



No. 100520



No. 100525



No. 100530



No. 100535



No. 100540



No. 100545



No. 100550



No. 100555



No. 100562/3/4K



No. 100570



No. 100575



No. 100580



No. 100585



No. 100590



No. 100595



No. 100605



No. 100610



No. 100630



No. 100635



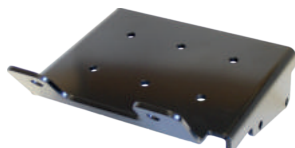
No. 100650



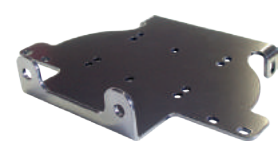
No. 100660



No. 100665



No. 100680



No. 100685



No. 100700



No. 100705



# ATV/UTV WINCH MOUNTS



 No. 100725	 No. 100740	 No. 100750	 No. 100760/4
 No. 100765	 No. 100795	 No. 100800	 No. 100820/4
 No. 100830	 No. 100840	 No. 100845	 No. 100850
 No. 100860	 No. 100870	 No. 100880	 No. 100885
 No. 100920	 No. 100930	 No. 100935	 No. 100940
 No. 100950	 No. 100960 (includes 2" Receiver)	 No. 101020/4	 No. 101030 (modular see page 17)
 No. 101055	 No. 101075 <b>NEW</b>	 No. 101150	 No. 101175
 No. 101180	 No. 101215	 No. 101220	 No. 101230
 No. 101275 <b>NEW</b>	 No. 101285 <b>NEW</b>	No.	No.



# WINCH MOUNT APP CHART

- 100% MADE IN USA.
- Grade 50 Steel constructed.
- Easy to install
- Powder coated black for supreme durability.
- Complete installation instructions and hardware included.
- Unlike the competition, these are shot blasted before they are powder coated for the best possible finish prep.



REVISION DATE 9-1-15

Application	YEAR	KFI	WARN	KFI			Superwinch			Warn	
		ST17	RT/XT15	A2500 SE25 A3000 SE35	U4500 SE45	U4500w SE45w	Terra45	LT2500 LT3000	LT2000	Vantage & Pro 2000-3500	Vantage & Pro 4000-4500
<b>AMERICAN SPORTWORKS</b>											
Landmaster 4x4 LM650 / LM700	'11-15	100950		100950	100950	100950	100950	100950	100950	100950	100950
Landmaster 4x4 LM500	'13-15	100950		100950	100950	100950	100950	100950	100950	100950	100950
<b>ARCTIC CAT</b>											
230 (2x4)	'96-01	100635		100635	---	---	100635	<sup>1</sup> 100635	100635	---	
250 (2x4)	'99-01	100635		100635	---	---	100635	<sup>1</sup> 100635	100635	---	
250 (4x4)	2001	100635		100635	---	---	100635	<sup>1</sup> 100635	100635	---	
250 (2x4/4x4)	'02-06	100335		100335	---	---	100335	<sup>1</sup> 100335	100335	---	
300 (2x4/4x4)	'96-01	100635		100635	---	---	100635	<sup>1</sup> 100635	100635	---	
300 (2x4/4x4)	'02-05	100335		100335	---	---	100335	<sup>1</sup> 100335	100335	---	
350 (4x4)	'11-12	100795		100795	---	---	100795	100795	100795	---	
366 (4x4/SE)	'08-11	100795		100795	---	---	100795	100795	100795	---	
375 (2x4/4x4)	2002	100335		100335	---	---	100335	<sup>1</sup> 100335	100335	---	
400 (2x4/4x4)	'98-01	100635		100635	---	---	100635	<sup>1</sup> 100635	100635	---	
400 (2x4/4x4/ACT/LE/MRP/VP)	'02-05	100335		100335	---	---	100335	<sup>1</sup> 100335	100335	---	
400 (4x4/LE/VP)	'06-08	<sup>2</sup> OEM		<sup>2</sup> OEM	---	---	<sup>2</sup> OEM	100500	<sup>2</sup> OEM	---	
400 Core	'13-15	100795		100795	---	---	100795	100795	100795	---	
400 (TBX 4x4)	2004	100335		100335	---	---	100335	<sup>1</sup> 100335	100335	---	
400 (TBX 4x4)	'05-07	<sup>2</sup> OEM		<sup>2</sup> OEM	---	---	<sup>2</sup> OEM	100500	<sup>2</sup> OEM	---	
400 (TRV 4x4)	'06-14	<sup>2</sup> OEM		<sup>2</sup> OEM	---	---	<sup>2</sup> OEM	100500	<sup>2</sup> OEM	---	
425/i (2x4/4x4/SE)	'11-12	100795		100795	---	---	100795	100795	100795	---	
450/i (4x4/GT/LTD/TRV)	'11-12	<sup>2</sup> OEM		<sup>2</sup> OEM	---	---	<sup>2</sup> OEM	100500	<sup>2</sup> OEM	---	
450 Core	'13-15	100795		100795	---	---	100795	100795	100795	---	
450i (XC)	'11-14	<sup>7</sup> n/a		<sup>7</sup> n/a	---	---	<sup>7</sup> n/a	<sup>7</sup> n/a	<sup>7</sup> n/a	---	
454 Bearcat (2x4/4x4)	'96-01	100635		100635	---	---	100635	<sup>1</sup> 100635	100635	---	
500 (4x4/TBX/MRP)	'02-04	100335		100335	---	---	100335	<sup>1</sup> 100335	100335	---	
500 (4x4/LE/M4/TBX/Core)	'05-15	<sup>2</sup> OEM		<sup>2</sup> OEM	---	---	<sup>2</sup> OEM	100500	<sup>2</sup> OEM	---	
500 (TRV 4x4)	'04-05	100335		100335	---	---	100335	<sup>1</sup> 100335	100335	---	
500 (TRV 4x4)	'06-15	<sup>2</sup> OEM		<sup>2</sup> OEM	---	---	<sup>2</sup> OEM	100500	<sup>2</sup> OEM	---	
500/i (4x4/GT/LTD/TRV/S)	'06-15	<sup>2</sup> OEM		<sup>2</sup> OEM	---	---	<sup>2</sup> OEM	100500	<sup>2</sup> OEM	---	
550 (all Models)	'09-15	<sup>2</sup> OEM		<sup>2</sup> OEM	---	---	<sup>2</sup> OEM	100500	<sup>2</sup> OEM	---	
650 (4x4/LE)	2004	100335		100335	---	---	100335	<sup>1</sup> 100335	100335	---	
650 (all Models)	'05-11	<sup>2</sup> OEM		<sup>2</sup> OEM	---	---	<sup>2</sup> OEM	100500	<sup>2</sup> OEM	---	
700/i/Diesel (all Models)	'06-15	<sup>2</sup> OEM		<sup>2</sup> OEM	---	---	<sup>2</sup> OEM	100500	<sup>2</sup> OEM	---	
900/1000/1000i/Thundercat (all Models)	'08-15	<sup>2</sup> OEM		<sup>2</sup> OEM	---	---	<sup>2</sup> OEM	100500	<sup>2</sup> OEM	---	
Prowler 500 HDX	'14-15	101190		101190	101190	101190	101190	101190 & 100480	101190	101190	
Prowler 550	'11-14	101190		101190	101190	101190	101190	101190 & 100480	101190	101190	
Prowler 700 HDX	'11-14	101190		101190	101190	101190	101190	101190 & 100480	101190	101190	
Prowler 700	'11-15	101190		101190	101190	101190	101190	101190 & 100480	101190	101190	
Prowler 1000	'09-14	101190		101190	101190	101190	101190	101190 & 100480	101190	101190	
Prowles NOT listed above	'06-11	<sup>2</sup> OEM		<sup>2</sup> OEM	---	---	<sup>2</sup> OEM	100480	<sup>2</sup> OEM	---	
XR 550 / 700 / 1000	'15-15	<sup>2</sup> OEM		<sup>2</sup> OEM	---	---	<sup>2</sup> OEM	Call	<sup>2</sup> OEM	---	
Wildcat Trail (all)	'14-15	<sup>2</sup> OEM		<sup>2</sup> OEM	---	---	<sup>2</sup> OEM	100480	<sup>2</sup> OEM	---	
Wildcat 1000 and Wildcat 4X	'12-15	101030		101030	101030	101030	101030	101030	101030	101030	
<b>BOBCAT</b>											
3200 Series UTV	'11-14	100850		100850	100850	---	100850	100850	100850	100850	
3400 Series UTV	'11-14	100850		100850	100850	---	100850	100850	100850	100850	
<b>CAN-AM/BOMBARDIER</b>											
Commander UTV 800/1000	'10-16	100840		100840	100840	100840	100840	100840	100840	100840	
Maverick 1000 with stock Tube bumper	'13-16	<sup>5</sup> 101055		<sup>5</sup> 101055	---	<sup>9&amp;5</sup> 101055	<sup>5</sup> 101055	<sup>5</sup> 101055	<sup>5</sup> 101055	<sup>5</sup> 101055	
Outlander 330/400	'03-05	100525		100525	---	---	100525	100525	100525	---	
Outlander 400/500/650	'06-12	100525		100525	---	---	100525	100525	100525	---	
Outlander 400	'13-14	100525		100525	---	---	100525	100525	100525	---	
Outlander 500/570/650	'13-16	<sup>2</sup> OEM		<sup>2</sup> OEM	---	---	<sup>2</sup> OEM	100480	<sup>2</sup> OEM	---	
Outlander 800/800R	'06-11	100525		100525	---	---	100525	100525	100525	---	
Outlander 800R/850/1000	'12-16	<sup>2</sup> OEM		<sup>2</sup> OEM	---	---	<sup>2</sup> OEM	100480	<sup>2</sup> OEM	---	
Outlander 800X XC	2011	<sup>7</sup> n/a		<sup>7</sup> n/a	---	---	<sup>7</sup> n/a	<sup>7</sup> n/a	<sup>7</sup> n/a	---	
Outlander L 450/500/570	'15-16	<sup>2</sup> OEM		<sup>2</sup> OEM	---	---	<sup>2</sup> OEM	100480	<sup>2</sup> OEM	---	
Outlander MAX (all)	'04-12	100525		100525	---	---	100525	100525	100525	---	
Outlander MAX 400	'13-14	100525		100525	---	---	100525	100525	100525	---	
Outlander MAX 500/650/800/1000	'13-15	<sup>2</sup> OEM		<sup>2</sup> OEM	---	---	<sup>2</sup> OEM	100480	<sup>2</sup> OEM	---	
Outlander MAX 570/650/850/1000	2016	<sup>2</sup> OEM		<sup>2</sup> OEM	---	---	<sup>2</sup> OEM	100480	<sup>2</sup> OEM	---	
Outlander 6x6 650/1000	'15-16	<sup>2</sup> OEM		<sup>2</sup> OEM	---	---	<sup>2</sup> OEM	100480	<sup>2</sup> OEM	---	
Quest 500/650	'01-04	<sup>2</sup> OEM		<sup>2</sup> OEM	---	---	<sup>2</sup> OEM	100515	<sup>2</sup> OEM	---	
Renegade 500	'08-12	100725		100725	---	---	100725	100725	100725	---	
Renegade 500	'13-15	100920		100920	---	---	100920	---	<sup>11</sup> 100920	---	
Renegade 570	2016	100920		100920	---	---	100920	---	<sup>11</sup> 100920	---	
Renegade 800	'07-11	100725		100725	---	---	100725	100725	100725	---	
Renegade 800	'12-15	100920		100920	---	---	100920	---	<sup>11</sup> 100920	---	
Renegade 850	2016	100920		100920	---	---	100920	---	<sup>11</sup> 100920	---	
Renegade 1000	'12-16	100920		100920	---	---	100920	---	<sup>11</sup> 100920	---	
Traxter 500/650	'99-05	<sup>2</sup> OEM		<sup>2</sup> OEM	---	---	<sup>2</sup> OEM	100515	<sup>2</sup> OEM	---	
<b>GRAVELY</b>											
Atlas JSV	All	101020		101020	101020	101024	101020	101020	101020	101024	

Note: <sup>1</sup>Also requires #100480 Converter Mount. (see pg 15) <sup>5</sup>Requires Stock Bumper. <sup>9</sup>Terra45 ONLY (will NOT work with WIDE KFI Winches ) Continued  
<sup>2</sup>No mount required/OEM mount integrated <sup>6</sup>Years 2004-2004.5 ONLY <sup>10</sup>Requires Lead Rotation on ProVantage 3500 and 4500  
<sup>3</sup>Requires Drilling 1-2 Holes. <sup>7</sup>n/a=NOT Available yet <sup>11</sup>ProVantage Series requires #ATV-RF (see pg 6)  
<sup>4</sup>Includes Mount & Grill, mount only #100560 <sup>8</sup>Will NOT Work With Vantage4000 Lead Issue <sup>\*\*\*</sup>Requires Wire Extension Kit #UTV-WEK (see pg 6)

All numbers in BLUE are new for this year.



Application	YEAR	KFI	WARN	KFI		Superwinch			Warn		
		ST17	RT/XT15	A2500 A3000	SE25 SE35	U4500 SE45	U4500w SE45w	Terra45	LT2500 LT3000	LT2000	Vantage & Pro 2000-3500
<b>HONDA</b>											
TRX300 2x4, 4x4	'93-00	100665	100665	---	---	---	---	100665	100665	100665	---
TRX350 Rancher Models (FE*FM*TE*TM)	'00-06	100505	100505	---	---	---	---	100505	100505	100505	---
TRX400 Rancher Models (FA*FGA)	'04-07	100505	100505	---	---	---	---	100505	100505	100505	---
TRX400 Foreman Models (FM*FW)	'95-03	100545	100545	---	---	---	---	100545	100545	100545	---
TRX420 Rancher 2x4 Models (TE*TM)	'07-13	---	---	---	---	---	---	---	---	100705	---
TRX420 Rancher 4x4 Models (FA*FE*FPA*FPE*FPM*FM*PG)	'07-13	---	100880	---	---	---	---	100705	100705	100705	---
TRX420 Rancher IRS ONLY Models (FA*FPA*PG)	2014	---	100880	---	---	---	---	100705	100705	100705	---
TRX420 Rancher "SOLID AXLE ONLY" Models (FA*FE*FM*TE*TM)	2014	101175	101175	---	---	---	---	101175	101175	101175	---
TRX420 Rancher 4x4 Models (FA*FE*FM*TE*TM)	'15-16	101175	101175	---	---	---	---	101175	101175	101175	---
TRX450 Foreman (FM/FE)	'98-04	100545	100545	---	---	---	---	100545	100545	100545	---
TRX500 Foreman (FA/FE/FM)	'05-06	100485	100485	---	---	---	---	100485	100485	100485	---
TRX500 Foreman (FE/FM/FPE/FPM)	'07-11	100585	100585	---	---	---	---	100585	100585	100585	---
TRX500 Foreman (FE/FM/FPE/FPM)	'12-14	---	100885	---	---	---	---	100885	100885	100885	---
TRX500 Foreman Models (FM1E*FE1E*FM2E*FE2E*FM*FPM*FPE)	'15-16	101175	101175	---	---	---	---	101175	101175	101175	---
TRX500 Rubicon (FA/FGA)	'01-04	100685	100685	---	---	---	---	100685	100685	100685	---
TRX500 Rubicon (FA/FGA)	'05-06	100485	100485	---	---	---	---	100485	100485	100485	---
TRX500 Rubicon (FA*FGA*FPA*PG)	'07-14	100585	100585	---	---	---	---	100585	100585	100585	---
TRX500 Rubicon (all models)	'15-16	101175	101175	---	---	---	---	101175	101175	101175	---
TRX650 Rincon (FA/FGA)	'03-05	100540	100540	---	---	---	---	100540	100540	100540	---
TRX680 Rincon (FA/FGA)	'06-16	100540	100540	---	---	---	---	100540	100540	100540	---
700 MUV Big Red 4x4	'09-13	100870	100870	100870	100870	100870	100870	100870	100870	100870	100870
Pioneer 500	'15-16	101215	101215	101215	101215	101215	101215	101215	101215	101215	101215
Pioneer 700 700-4	'14-16	101150	101150	101150	101150	101150	101150	101150	101150	101150	101150
Pioneer 1000 1000-5	2016	101285	101285	101285	101285	101285	101285	101285	101285	101285	101285
<b>JCB</b>											
Workmax 800D / 1000D	'13-14	100960	100960	100960	100960	100960	100960	100960	100960	100960	100960
<b>JOHN DEERE</b>											
Gator XUV 550/550-S4	'12-15	100940	100940	100940	100940	100940	100940	100940	100940	100940	100940
Gator RSX 850i	'13-15	100940	100940	100940	100940	100940	100940	100940	100940	100940	100940
Gator RSX 860i	2016	100940	100940	100940	100940	100940	100940	100940	100940	100940	100940
Gator XUV 625i/825i/855D	'11-15	100860	100860	100860	100860	100860	100860	100860	100860	100860	100860
<b>KAWASAKI</b>											
300 Brute Force 2x4	'12-16	<sup>2</sup> OEM	<sup>2</sup> OEM	---	---	---	---	<sup>2</sup> OEM	100480	<sup>2</sup> OEM	---
360 Prairie 2x4/4x4	'02-13	100570	100570	---	---	---	---	100570	100570	100570	---
600 Mule 2x4	'05-16	100575	100575	---	---	---	---	100575	100575	100575	---
610 Mule 4x4	'05-16	100575	100575	---	---	---	---	100575	100575	100575	---
650 Brute Force 4x4	'05-14	100535	100535	---	---	---	---	100535	100535	100535	---
650 Brute Force 4x4i	'06-14	100535	100535	---	---	---	---	100535	100535	100535	---
650 Prairie 4x4	'01-03	100595	100595	---	---	---	---	100595	100595	100595	---
700 Prairie 4x4	'04-06	100595	100595	---	---	---	---	100595	100595	100595	---
750 Brute Force 4x4, 4x4i, 4x4i EPS	'05-16	100535	100535	100535	---	---	---	100535	100535	100535	---
750 Teryx	'08-13	100700	100700	100700	100700	100700	100700	100700	100700	100700	100700
750 Teryx4	'12-13	100935	100935	100935	100935	100935	100935	100935	100935	100935	<sup>8</sup> 100935
800 Teryx and Teryx4	'14-15	100935	100935	---	<sup>9</sup> ---	<sup>10</sup> 100935	100935	100935	100935	<sup>10</sup> 100935	<sup>8/10</sup> 100935
812 Mule PRO-FXT/DXT/FX/DX	'15-16	101230***	101230***	101230***	101230***	101230***	101230***	101230***	101230***	101230***	101230***
3000/3010 Mule	'01-08	<sup>2</sup> OEM	<sup>2</sup> OEM	<sup>2</sup> OEM	---	---	---	<sup>2</sup> OEM	100480	<sup>2</sup> OEM	---
4000/4010 Mule	'09-13	100845	100845	100845	100845	100845	100845	100845	100845	100845	100845
4000/4010 Mule	'14-16	100845	100845	---	---	---	---	100845	100845	100845	100845
4010 Mule Diesel	'09-13	100845	100845	100845	100845	100845	100845	100845	100845	100845	100845
4010 Mule Diesel	2014	100845	100845	---	---	---	---	100845	100845	100845	100845
<b>KUBOTA</b>											
RTV500/RTV400ci	All	100800	100800	100800	100800	100800	100800	100800	100800	100800	100800
RTV900/RTV1140 (w/1.25" Front Receiver)	'04-08	100471	100471	100471	---	---	---	100471	100471	100471	100470
RTV900/RTV1140 (w/2.00" Front Receiver)	Current	100830	100830	---	---	---	---	100830	100830	100830	---
RTV-X Series (900, 1100C, 1120D)	All	<sup>2</sup> OEM	<sup>2</sup> OEM	<sup>2</sup> OEM	<sup>2</sup> OEM	<sup>2</sup> OEM	<sup>2</sup> OEM	<sup>2</sup> OEM	100500	<sup>2</sup> OEM	<sup>2</sup> OEM
RTV1100	All	100750	100750	100750	<sup>3</sup> 100750	100750	100750	100750	100750	100750	<sup>3</sup> 100750
<b>KYMCO</b>											
MXU 375/450i	'09-15	100930	100930	---	---	---	---	100930	100930	100930	---
<b>POLARIS ATV's</b>											
ACE 325/570/900	'14-16	101180	101180	---	---	---	---	101180	101180	101180	---
ATP (330, 500)-	'04-05	100430	100430	---	---	---	---	100430	100430	100430	---
Big Boss (400L, 500, 6x6)	'93-99	100630	100630	---	---	---	---	100630	100630	100630	---
Diesel 4x4	'98-02	100430	100430	---	---	---	---	100430	100430	100430	---
Hawkeye 2x4/4x4	'06-07	100590	100590	---	---	---	---	100590	100590	100590	---
Magnum 330 (4x4 Only)	'03-06	100430	100430	---	---	---	---	100430	100430	100430	---
Magnum 325/500 4x4	'99-02	100430	100430	---	---	---	---	100430	100430	100430	---
Magnum 425 2x4, 4x4, 6x6	'93-98	100630	100630	---	---	---	---	100630	100630	100630	---
Magnum 500 RMK 2x4	2002	100430	100430	---	---	---	---	100430	100430	100430	---
Trail Boss 350L 2x4, 4x4	'90-93	100630	100630	---	---	---	---	100630	100630	100630	---
Polaris 400L 2x4, 4x4	'94-97	100630	100630	---	---	---	---	100630	100630	100630	---
PVT 4x4/6x6	'02-03	100430	100430	---	---	---	---	100430	100430	100430	---
Scrambler 400/500	'97-09	<sup>5</sup> 100520	<sup>5</sup> 100520	<sup>5</sup> 100520	---	---	---	<sup>5</sup> 100520	<sup>5</sup> 100520	<sup>5</sup> 100520	---
Scrambler 850	'13-16	100740	100740	---	---	---	---	100740	100740	100740	---
Scrambler 1000	'14-16	100740	100740	---	---	---	---	100740	100740	100740	---
Sportsman ETX	2015	100740	100740	---	---	---	---	100740	100740	100740	---
Sportsman 300	'08-10	100590	100590	---	---	---	---	100590	100590	100590	---
Sportsman 335	'98-00	100430	100430	---	---	---	---	100430	100430	100430	---
Sportsman 350L	1993	100630	100630	---	---	---	---	100630	100630	100630	---
Sportsman 400	'94-97	100630	100630	---	---	---	---	100630	100630	100630	---
Sportsman 400	'01-03	100430	100430	---	---	---	---	100430	100430	100430	---
Sportsman 400	'04-04.5	100650	100650	---	---	---	---	100140	100340	100300	---



# WINCH MOUNT APP CHART



Application	YEAR	KFI	WARN	KFI			Superwinch		Warn		
		ST17	RT/XT15	A2500 A3000	SE25 SE35	U4500 SE45	U4500w SE45w	Terra45	LT2500 LT3000	LT2000	Vantage & Pro 2000-3500
<b>POLARIS ATV's - "continued"</b>											
Sportsman 400	2005	100440		100440				100440	100440	100440	
Sportsman 400	'08-10	100590		100590				100590	100590	100590	
Sportsman 400	'11-14	100740		100740				100740	100740	100740	
Sportsman 450	'06-07	100440		100440				100440	100440	100440	
Sportsman 450	2016	100740		100740				100740	100740	100740	
Sportsman 500	'96-03	100430		100430				100430	100430	100430	
Sportsman 500	'04-04.5	100650		100650				100140	100340	100300	
Sportsman 500	'06-10	100440		100440				100440	100440	100440	
Sportsman 500	'11-13	100740		100740				100740	100740	100740	
Sportsman 500 Touring	'08-10	100440		100440				100440	100440	100440	
Sportsman 500 Touring	'11-13	100740		100740				100740	100740	100740	
Sportsman 500 X2	'08-10	100440		100440				100440	100440	100440	
Sportsman 550 (XP)	'09-14	100740		100740				100740	100740	100740	
Sportsman 550 Touring	'10-14	100740		100740				100740	100740	100740	
Sportsman 550 X2	'10-14	100740		100740				100740	100740	100740	
Sportsman 570	'14-16	100740		100740				100740	100740	100740	
Sportsman 570 Touring	'14-16	100740		100740				100740	100740	100740	
Sportsman 570 X2	'15-16	100740		100740				100740	100740	100740	
Sportsman 600	03-04.5	100650		100650					100340	100300	
Sportsman 600	2005	100440		100440				100440	100440	100440	
Sportsman 700	02-04.5	100650		100650					100340	100300	
Sportsman 700	'05-06	100440		100440				100440	100440	100440	
Sportsman 700 X2	2008	100440		100440				100440	100440	100440	
Sportsman 800	'05-10	100440		100440				100440	100440	100440	
Sportsman 800	'11-14	100740		100740				100740	100740	100740	
Sportsman 800 Touring	'08-09	100440		100440				100440	100440	100440	
Sportsman 800 X2	'07-09	100440		100440				100440	100440	100440	
Sportsman 850 (XP, Highlifter)	'09-16	100740		100740				100740	100740	100740	
Sportsman 850 Touring	'10-16	100740		100740				100740	100740	100740	
Sportsman 850 X2	2011	100740		100740				100740	100740	100740	
Sportsman 1000 (XP)	'15-16	100740		100740				100740	100740	100740	
Sportsman 1000 Touring	'15-16	100740		100740				100740	100740	100740	
Sportsman 6x6	'99-08	100430		100430				100430	100430	100430	
Sportsman 6x6	'09-10	100440		100440				100440	100440	100440	
Sportsman 6x6	'11-15	100740		100740				100740	100740	100740	
Sport 400 2x4	'97-99	<sup>5</sup> 100520		<sup>5</sup> 100520	<sup>5</sup> 100520			<sup>5</sup> 100520	<sup>5</sup> 100520	<sup>5</sup> 100520	
Trail Blazer 250	'03-06	<sup>5</sup> 100520		<sup>5</sup> 100520	<sup>5</sup> 100520			<sup>5</sup> 100520	<sup>5</sup> 100520	<sup>5</sup> 100520	
Trail Blazer 330	'08-09	<sup>5</sup> 100520		<sup>5</sup> 100520	<sup>5</sup> 100520			<sup>5</sup> 100520	<sup>5</sup> 100520	<sup>5</sup> 100520	
Trail Blazer 400	2003	<sup>5</sup> 100520		<sup>5</sup> 100520	<sup>5</sup> 100520			<sup>5</sup> 100520	<sup>5</sup> 100520	<sup>5</sup> 100520	
Xpedition 325/425	'00-03	100430		100430				100430	100430	100430	
Xplorer 300/400/500	'95-02	100430		100430				100430	100430	100430	
Xpress 400 4x4	1997	100430		100430				100430	100430	100430	
<b>POLARIS Midsize Rangers</b>											
ETX Ranger Midsize 4x4	'15-16	100820		100820	100820	100824	100824	100820	100820	100820	100824
EV Ranger Midsize 4x4	'10-16	100820		100820	100820	100820	100824	100820	100820	100820	100824
400 Ranger Midsize 4x4	'10-14	100820		100820	100820	100824	100824	100820	100820	100820	100824
500 Ranger Midsize 4x4	'11-13	100820		100820	100820	100824	100824	100820	100820	100820	100824
500-4 Ranger Midsize 4x4 Crew	'11-13	100820***		100820***	100820***	100824***	100824***	100820***	100820***	100820***	100824***
570 Ranger Midsize 4x4	'14-16	100820		100820	100820	100824	100824	100820	100820	100820	100824
570-4 Ranger Midsize 4x4 Crew	'14-16	100820***		100820***	100820***	100824***	100824***	100820***	100820***	100820***	100824***
800 Ranger Midsize 4x4	'13-14	100820		100820	100820	100824	100824	100820	100820	100820	100824
<b>POLARIS Fullsize Rangers</b>											
Diesel Ranger Full-Size 4x4	'11-14	100760		100760	100760	100764	100764	100760	100760	100760	100764
Diesel Ranger Full-Size 4x4	'15-16	101020		101020	101020	101024	101024	101020	101020	101020	101024
Diesel Ranger Full-Size 4x4 Crew	2016	101020***		101020***	101020***	101024***	101024***	101020***	101020***	101020***	101024***
TM Ranger Full-Size 2x4	'04-06	<sup>4</sup> 100563K		<sup>4</sup> 100563K	<sup>4</sup> 100563K	<sup>4</sup> 100564K	<sup>4</sup> 100564K	<sup>4</sup> 100563K	<sup>4</sup> 100562K	<sup>4</sup> 100563K	<sup>4</sup> 100564K
425 Ranger Full-Size 2x4	'01-04	<sup>4</sup> 100563K		<sup>4</sup> 100563K	<sup>4</sup> 100563K	<sup>4</sup> 100564K	<sup>4</sup> 100564K	<sup>4</sup> 100563K	<sup>4</sup> 100562K	<sup>4</sup> 100563K	<sup>4</sup> 100564K
500 Ranger Full-Size 2x4	'01-08	<sup>4</sup> 100563K		<sup>4</sup> 100563K	<sup>4</sup> 100563K	<sup>4</sup> 100564K	<sup>4</sup> 100564K	<sup>4</sup> 100563K	<sup>4</sup> 100562K	<sup>4</sup> 100563K	<sup>4</sup> 100564K
500 Ranger Full-Size 4x4	'02-08	<sup>4</sup> 100563K		<sup>4</sup> 100563K	<sup>4</sup> 100563K	<sup>4</sup> 100564K	<sup>4</sup> 100564K	<sup>4</sup> 100563K	<sup>4</sup> 100562K	<sup>4</sup> 100563K	<sup>4</sup> 100564K
500 Ranger Full-Size 4x4	'09-10	100760		100760	100760	100764	100764	100760	100760	100760	100764
500 Ranger Full-Size 6x6	'02-05	<sup>4</sup> 100563K		<sup>4</sup> 100563K	<sup>4</sup> 100563K	<sup>4</sup> 100564K	<sup>4</sup> 100564K	<sup>4</sup> 100563K	<sup>4</sup> 100562K	<sup>4</sup> 100563K	<sup>4</sup> 100564K
570 Ranger Full-Size 4x4	2015	101020		101020	101020	101024	101024	101020	101020	101020	101024
570 Ranger XP Full-Size 4x4	2016	101020		101020	101020	101024	101024	101020	101020	101020	101024
570 Ranger Full-Size 4x4	2016	100820		100820	100820	100824	100824	100820	100820	100820	100824
570-6 Ranger Full-Size 4x4 Crew	'15-16	101020***		101020***	101020***	101024***	101024***	101020***	101020***	101020***	101024***
700 Ranger Full-Size 4x4	'05-08	<sup>4</sup> 100563K		<sup>4</sup> 100563K	<sup>4</sup> 100563K	<sup>4</sup> 100564K	<sup>4</sup> 100564K	<sup>4</sup> 100563K	<sup>4</sup> 100562K	<sup>4</sup> 100563K	<sup>4</sup> 100564K
700 Ranger Full-Size 4x4	2009	100760		100760	100760	100764	100764	100760	100760	100760	100764
700 Ranger Full-Size 6x6	'06-09	<sup>4</sup> 100563K		<sup>4</sup> 100563K	<sup>4</sup> 100563K	<sup>4</sup> 100564K	<sup>4</sup> 100564K	<sup>4</sup> 100563K	<sup>4</sup> 100562K	<sup>4</sup> 100563K	<sup>4</sup> 100564K
700 Ranger Full-Size 4x4 Crew	'08-09	<sup>4</sup> 100563K		<sup>4</sup> 100563K	<sup>4</sup> 100563K	<sup>4</sup> 100564K	<sup>4</sup> 100564K	<sup>4</sup> 100563K	<sup>4</sup> 100562K	<sup>4</sup> 100563K	<sup>4</sup> 100564K
800 Ranger Full-Size 4x4	'10-14	100760		100760	100760	100764	100764	100760	100760	100760	100764
800 Ranger Full-Size 6x6	'10-16	100760		100760	100760	100764	100764	100760	100760	100760	100764
800 Ranger Full-Size 4x4 Crew	'10-13	100760		100760	100760	100764	100764	100760	100760	100760	100764
800 Ranger Full-Size 4x4 Crew	2014	100760***		100760***	100760***	100764***	100764***	100760***	100760***	100760***	100764***
900 Ranger Full-Size 4x4	'13-16	101020		101020	101020	101024	101024	101020	101020	101020	101024
900-5/6 Ranger Full-Size 4x4 Crew	'14-16	101020***		101020***	101020***	101024***	101024***	101020***	101020***	101020***	101024***

See Winch Mount images on pages 10-11

**Note:** <sup>1</sup>Also requires #100480 Converter Mount. (see pg 15) <sup>5</sup>Requires Stock Bumper. <sup>9</sup>Terra45 ONLY (will NOT work with U4500 WIDE)  
<sup>2</sup>No mount required/OEM mount integrated <sup>6</sup>Years 2004-2004.5 ONLY <sup>10</sup>Requires Lead Rotation on ProVantage 3500 and 4500  
<sup>3</sup>Requires Drilling 1-2 Holes. <sup>7</sup>n/a=NOT Available yet <sup>\*\*</sup>Requires Wire Extension Kit #UTV-WEK (see pg 6)  
<sup>4</sup>Includes Mount & Grill, mount only #100560 <sup>8</sup>Will NOT Work With Vantage4000 Lead Issue

Continued

All numbers in BLUE are new for this year.



# WINCH MOUNT APP CHART

Application	YEAR	KFI	WARN	KFI			Superwinch			Warn	
		ST17	RT/XT15	A2500 A3000	SE25 SE35	U4500 SE45	U4500w SE45w	Terra45	LT2500 LT3000	LT2000	Vantage & Pro 2000-3500
<b>POLARIS RZR's</b>											
570 RZR	'12-16	100660	100660	100660	---	---	---	*100660	*100660	100660	---
800 RZR	'08-14	100660	100660	100660	---	---	---	*100660	*100660	100660	---
800 RZR 4 (4-Seater)	'10-11	100660	100660	100660	---	---	---	*100660	*100660	100660	---
800 RZR 4 (4-Seater)	'12-14	100660***	100660***	100660***	---	---	---	*100660***	*100660***	100660***	---
900 RZR	'11-14	100765	100765	100765	---	---	---	100765	100765	100765	---
900 RZR	'15-16	101220	101220	101220	---	---	---	101220	101220	101220	---
900 RZR 4 (4-Seater)	'15-16	101220***	101220***	101220***	---	---	---	101220***	101220***	101220***	---
900 RZR 4 (4-Seater)	'12-14	100765	100765	100765	---	---	---	100765	100765	100765	---
<b>1000 RZR S</b>	<b>2016</b>	101220	101220	101220	---	---	---	101220	101220	101220	---
<b>1000 RZRXP</b>	'14-16	101220	101220	101220	---	---	---	101220	101220	101220	---
1000 RZRXP 4 (4-Seater)	'14-16	101220***	101220***	101220***	---	---	---	101220***	101220***	101220***	---
<b>Turbo RZR</b>	<b>2016</b>	---	---	---	---	---	---	---	---	---	---
<b>SUZUKI</b>											
400 Eiger 2x4, 4x4	'02-07	100555	100555	---	---	---	---	100555	100555	100555	---
400 King Quad <b>4x4/AS/AF/Asi/Afi</b>	'08-16	100680	100680	---	---	---	---	100680	100680	100680	---
450 King Quad 4x4/AXi	'07-10	100450	100450	---	---	---	---	100450	100450	100450	---
500 King Quad AXi	'09-16	100450	100450	---	---	---	---	100450	100450	100450	---
500 Vinson 4x4	'02-07	100555	100555	---	---	---	---	100555	100555	100555	---
700 King Quad 4x4	'05-07	100450	100450	---	---	---	---	100450	100450	100450	---
700 Twin Peaks	'04-06	100595	100595	---	---	---	---	100595	100595	100595	---
750 King Quad 4x4/AXi	'08-16	100450	100450	---	---	---	---	100450	100450	100450	---
<b>YAMAHA</b>											
350 Bruin 2x4, 4x4	'04-06	100530	100530	---	---	---	---	100530	100530	100530	---
350 Grizzly 2x4, 4x4	'07-14	100530	100530	---	---	---	---	100530	100530	100530	---
350 Kodiak 4x4 (Canada)	'07-14	100530	100530	---	---	---	---	100530	100530	100530	---
400 Big Bear 2x4, 4x4	'00-06	100330	100330	---	---	---	---	100330	100330	100330	---
400 Big Bear 4x4	'07-12	100930	100930	---	---	---	---	100930	100930	100930	---
400 Grizzly 4x4	'07-08	100530	100530	---	---	---	---	100530	100530	100530	---
400 Kodiak 4x4	'00-02	100605	100605	---	---	---	---	100605	100605	100605	---
400 Kodiak 2x4, 4x4	'03-07	100530	100530	---	---	---	---	100530	100530	100530	---
450 Grizzly 4x4	'07-14	100530	100530	---	---	---	---	100530	100530	100530	---
450 Kodiak 4x4	'03-14	100530	100530	---	---	---	---	100530	100530	100530	---
450 Rhino 4x4	'06-11	100550	100550	100550	100550	---	---	100550	100550	100550	100550
550 Grizzly 4x4	'09-14	100610	100610	---	---	---	---	100610	100610	100610	---
600 Grizzly 4x4	'98-01	100580	100580	---	---	---	---	100580	100580	100580	---
660 Grizzly 4x4	'02-08	100510	100510	---	---	---	---	100510	100510	100510	---
660 Rhino 4x4	'03-07	100550	100550	100550	100550	---	---	100550	100550	100550	100550
700 Grizzly 4x4	'07-15	100610	100610	---	---	---	---	100610	100610	100610	---
<b>700 Grizzly 4x4</b>	<b>2016</b>	<b>101275</b>	<b>101275</b>	---	---	---	---	<b>101275</b>	<b>101275</b>	<b>101275</b>	---
<b>700 Kodiak 4x4</b>	<b>2016</b>	<b>101275</b>	<b>101275</b>	---	---	---	---	<b>101275</b>	<b>101275</b>	<b>101275</b>	---
700 Rhino 4x4	'08-13	100550	100550	100550	100550	---	---	100550	100550	100550	100550
Viking 4x4	'14-16	101075	101075	101075	---	---	*101075	101075	*101075	101075	*101075
Viking VI 4x4	'15-16	101075	101075	101075	---	---	*101075	101075	*101075	101075	*101075
<b>Wolverine SxS (all models)</b>	<b>2016</b>	101075	101075	---	---	---	*101075	101075	*101075	101075	*101075



See Winch Mount images on pages 10-11

## Polaris RZR 900 Spacer Plate

This spacer plate is for the winches that have a bottom Clutch casting that is flush with the bottom mounting surface of the winch. Without this spacer the winch will not be able to mount flush to the mount because it will run into the RZR 900's frame.

No. 101065

## 90° 2-HOLE MOUNTED WINCH CONVERTER

This mount will convert the 3.00" x 4.875" Standard 4-bolt Mounting Pattern that is integrated in some OEM frames and winch mounts and allow it to work with most 2-hole mounted winches with a 3.10" Bolt Pattern.

- Complete installation instructions included.
- All mounting hardware included.

No. 100480



## STANDARD AND WIDE FAIRLEAD BRACKETS

No. 100495 Standard Fairlead Bracket  
No. 100695 WIDE Fairlead Bracket



# MULTI-MOUNT KITS & PARTS



## RECEIVER WINCH MOUNTS

### Specifications:

- 100% **MADE IN USA.**
- Constructed of 3/16" steel.
- Unlike the competition, these are shot blasted before they are powder coated for the best possible finish prep.
- Powder coated black for supreme durability.
- Easy to install.
- Requires fairlead bracket typically included with winch

No. **100615** 1-1/4" Receiver Winch Mount

No. **100620** 2" Receiver Winch Mount



100615



100620

## UTV MULTI-MOUNT KITS

### Multi-Mount Kits include the following:

- 2" Receiver Winch Mount #100620
- UTV Model Specific Front Receiver Plate
- 20" Quick Connect (for winch)
- 48" Quick Connect (for front)
- 120" Quick Connect (for rear)
- 5/8" Receiver Hitch Pin
- Requires fairlead bracket typically included with winch



UTV-592



UTV-675

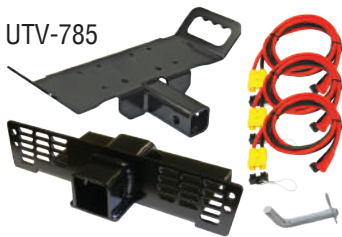
No. **UTV-592** Yamaha Rhino Kit (requires #100550 winch mount)

No. **UTV-675** Polaris Full Size Ranger Kit 2002-2009 (see app chart on web)

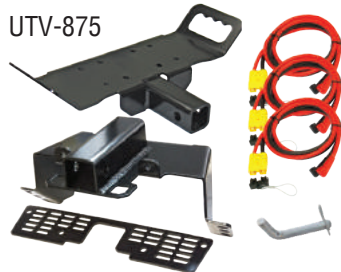
No. **UTV-785** Polaris Full Size 500/700/800/Diesel Ranger Kit 2009-2013 (see app chart on web)

No. **UTV-875** Polaris Midsize 400/500/800cc Ranger Kit (see app chart on web)

No. **UTV-1080** NEW Polaris Full Size Ranger and Gravelly Kit (see app chart on web)



UTV-785



UTV-875



UTV-1080

## QUICK CONNECTS

### Specifications:

- 6 gage wiring
- Color coded wires
- Protective endcap

No. **QC-ENDS** Quick Connect End (2-pack)

No. **QC-20** 20" Long Quick Connect

No. **QC-48** 48" Long Quick Connect

No. **QC-96** 96" Long Quick Connect

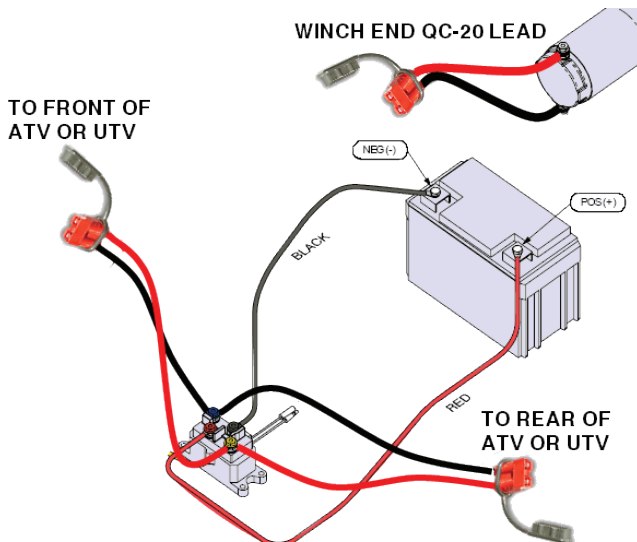
No. **QC-120** 120" Long Quick Connect



QC-ENDS



QC-xxx





# ATV/UTV HITCHES & RECEIVERS



## UTV FRONT 2" RECEIVERS (see app chart on web)

### Specification:

- 100% MADE IN USA.
- Constructed of 3/16" steel.
- Unlike the competition, these are shot blasted before they are powder coated for the best possible finish prep.
- Powder coated black for supreme durability.
- Receiver pin NOT included
- Easy to install.



No. 100592	Yamaha Rhino Lower (requires KFI #100550 winch mount)
No. 100655	'02-09 Fullsize Ranger LOWER Receiver
No. 105260	'02-09 Fullsize Ranger UPPER Receiver
No. 100720	John Deere Upper Receiver (HPX/XUV 1-3/4" x 3-3/8")
No. 100785	'09-13 Fullsize Ranger UPPER Receiver
No. 105255	'09-13 Fullsize Ranger LOWER Receiver
No. 100875	Polaris Midsize Ranger UPPER Receiver
No. 101080	Ranger 900 XP & Gravelly UPPER Receiver
No. 101145	Honda Pioneer 700 and 700-4
No. 105475	Ranger 900 XP & Gravelly LOWER Receiver



## ATV/UTV REAR 2" RECEIVERS

(see app chart on web)

No. 100465	Polaris 2005-2010 Sportsman 2" Converter
No. 100565	Honda ATV OFF-Set
No. 100645	Polaris Generation 4 & 6 2" Converter
No. 100715	John Deere (available in Std Black & JD Green)
No. 100745	Can-Am Outlander (Requires Stock Ball Hitch)
No. 100790	Honda Rincon
No. 100805	Yamaha Grizzly 550/700
No. 100855	Polaris RZR 900
No. 100905	Polaris RZR 800
No. 100945	Renegade G2 (Generation 2)
No. 100985	Polaris RZR 570 and Polaris ACE
No. 101125	Can-Am Maverick
No. 101135	Arctic Cat Wildcat 1000
No. 101200	Polaris RZR 1000 XP and XP 4
No. 105435	Case Scout-XL / New Holland Rustler 120/125



## HONDA RINCON BALL HITCH

- 100% MADE IN USA.
- Constructed of 3/16" steel.
- Unlike the competition, these are shot blasted before they are powder coated for the best possible finish prep.
- Powder coated black for supreme durability.
- Takes all 3/4" Shank Balls
- Easy to install.

No. 100490



## HONDA 420 RANCHER FRONT 2" RECEIVER

- 100% MADE IN USA.
- Constructed of 3/16" steel.
- Unlike the competition, these are shot blasted before they are powder coated for the best possible finish prep.
- Powder coated black for supreme durability.
- Mounts behind the front bumper
- Easy to install.

No. 100710







# KFI PRO-SERIES PLOWS



## **KFI Pro-Series ATV Plow System**

The KFI ATV Pro-Series Plow System is designed from the ground up to have all the best features in one complete package. It's engineered to outperform and outlast the competition.

Our KFI ATV plow system is engineered as a Mid-Mount System that transfers the forces from plowing to your ATV's frame where it belongs. All KFI plow components are Shot Blasted and Powder Coated Tough for the best finish available.



If you do not see an ATV Mount system available in our application chart please check out our NEW KFI Hybrid Mount #105515 or complete Hybrid Kit (mount and tubes) #105590 that is designed to work with about 90% of all older and newer machines with round or square tubing frames (NOT recommended to be used on any Can-Am ATV's with the single tube Frame). Call or check out our website for a template you can use to check your machine compatibility.

## **KFI Pro-Series UTV Plow System**

The KFI UTV Pro-Series system is designed to have all the same great features as our ATV system with additional strengthening to withstand the forces of larger UTV's. The KFI UTV plow system is engineered as a Front-Mount System that transfers the forces from plowing to the front lower frame. The system is attached in seconds using two standard 5/8" hitch pins. With this Front Mount System you will get 30+ inches of lift height! All of the plow components are shot blasted and powder coated tough for the best finish available. Our NEW Heavy-Duty 11ga 66" and 72" wide UTV Blade comes standard with a 7" top rubber snow flap, Heavy-Duty Skid Pads, two-sided 3/16" grade 50 wear bar, and added gusseting for increased strength to handle the wider width and force of your UTV.



The UTV Plow Tube System will work with our standard 11GA 54" and 60" Straight Blades, 60" Tapered Blade, and our all new UTV 66" and 72" reinforced Straight Blade. Our heavily reinforced tube system features: an easy-pull pin blade adjustment, multi-position plow lift bracket, 3 blade angle positions that will rotate the blade up to 25°, and six 5° blade pitch adjustments.





# KFI SNOW PLOW BLADES



## KFI Pro-Series Straight Blades

### Specifications:

- Available in ATV 54" and 60" and UTV 72"
- 11GA Steel Blade
- 3/16" Grade 50 steel gusseting
- Shot Blasted before powder coating
- Powder Coated TOUGH - Metallic Silver
- 16" Blade Height (without snow flap)
- 2-Sided 3/16" Grade 50 Steel Wear Bar attached with Grade 8 Bolts
- Fully Adjustable HEAVY-DUTY Skid Pads
- Snow Flap NOT included on 54" or 60" ATV Blades (sold separately)
- Snow Flap included on 66" and 72" UTV Blade
- 66" and 72" UTV Blade includes added gusseting and support



Straight Blade



- No. 105048 48" ATV Pro-Series Straight Blade
- No. 105054 54" ATV Pro-Series Straight Blade
- No. 105060 60" ATV Pro-Series Straight Blade
- No. 105066 66" UTV Pro-Series Straight Blade
- No. 105072 72" UTV Pro-Series Straight Blade



## KFI Pro-Series Tapered Blade

### Specifications:

- Same features as our Straight Blades above
- 16.5"LH and 24.5"RH Blade Height (not including snow flap)
- Snow Flap included



Tapered Blade



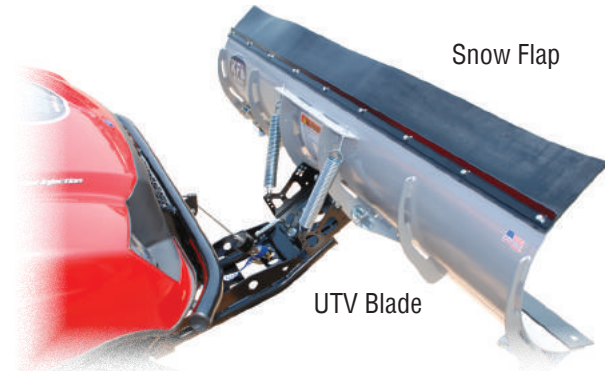
- No. 105160 60" Pro-Series Tapered Blade

## KFI Snow Flap Kits

### Kit Includes:

- 11GA Steel Adjustable Snow Flap Edge Strip
- 7" 2-ply Rubber Flap (adds 6" to Blade height)
- All Mounting Hardware included (all KFI Blades are Pre-Drilled)

- No. 105135 48" Plow Snow Flap Kit
- No. 105014 54" Plow Snow Flap Kit
- No. 105144 60" Plow Snow Flap Kit (included with Tapered Blade)



Snow Flap

UTV Blade

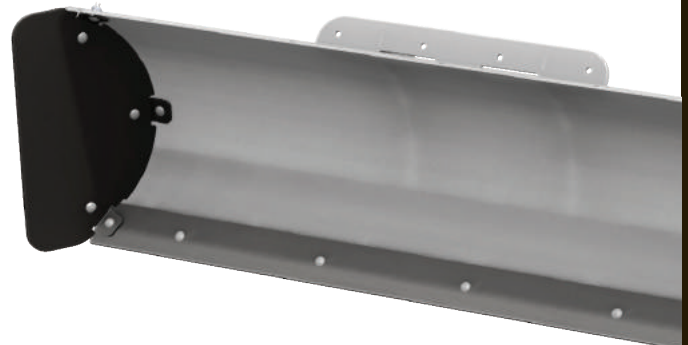
## KFI Pro-Series Side Shield

### Specifications:

- Attaches to the ends of the plow to help reduce snow and dirt overflow
- Universal Left Hand or Right Hand (1 Shield Included)
- 3/16" Grade 50 Steel Powder Coated Black
- Adds 2-1/4" Width to size of blade per Shield
- Works with all KFI Pro-Series Straight Blades
- Some Drilling Required



- No. 105540 Pro-Series Side Shield (1x Shield per)



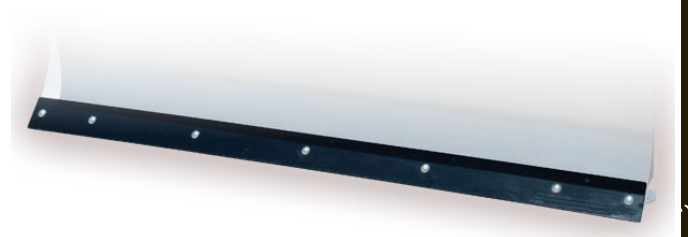
## KFI Replacement Wear Bars

### Specifications:

- 3/16" Grade 50 Steel Powder Coated Black
- Two sided



- No. 105039 48" Replacement Wear Bar
- No. 105010 54" Replacement Wear Bar
- No. 105064 60" Replacement Wear Bar
- No. 105274 66" Replacement Wear Bar
- No. 105184 72" Replacement Wear Bar



## KFI Replacement Skids

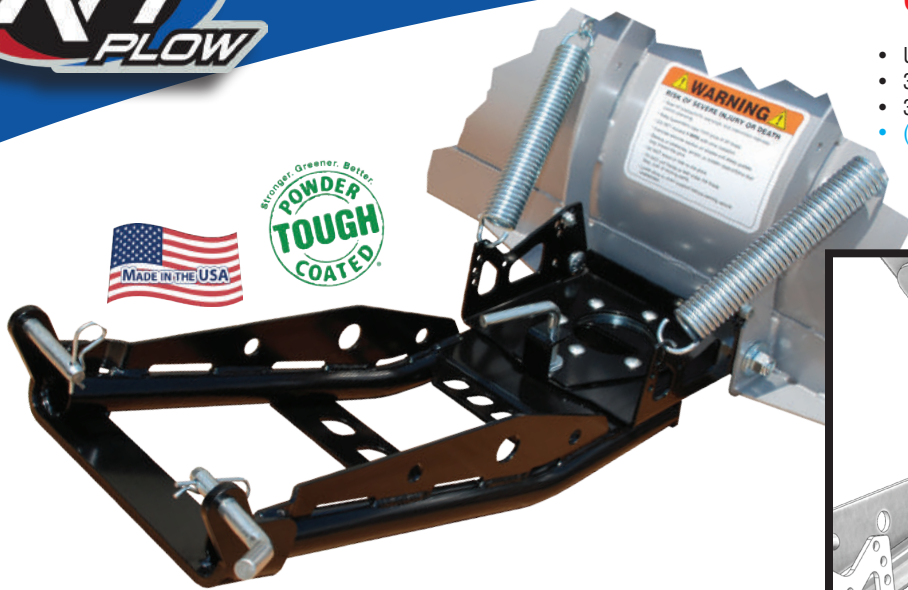
- No. 105595 Plow Skid (1x-Skid Only)
- No. 105170 Plow Skid Kit (2-Pack)
- No. 105188 ATV 3/8" Pin 2-Pack
- No. 105490 Single Plow Foot Replacement Kit



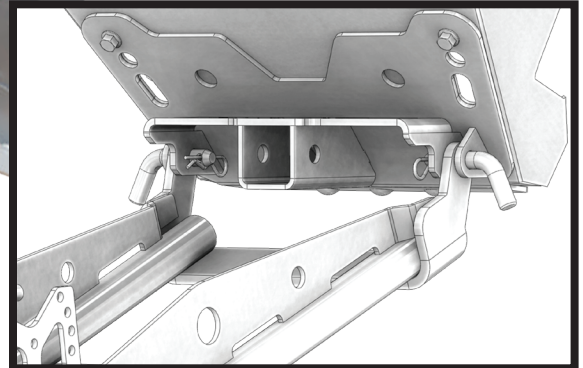


# PLOW BASE/PUSH TUBES

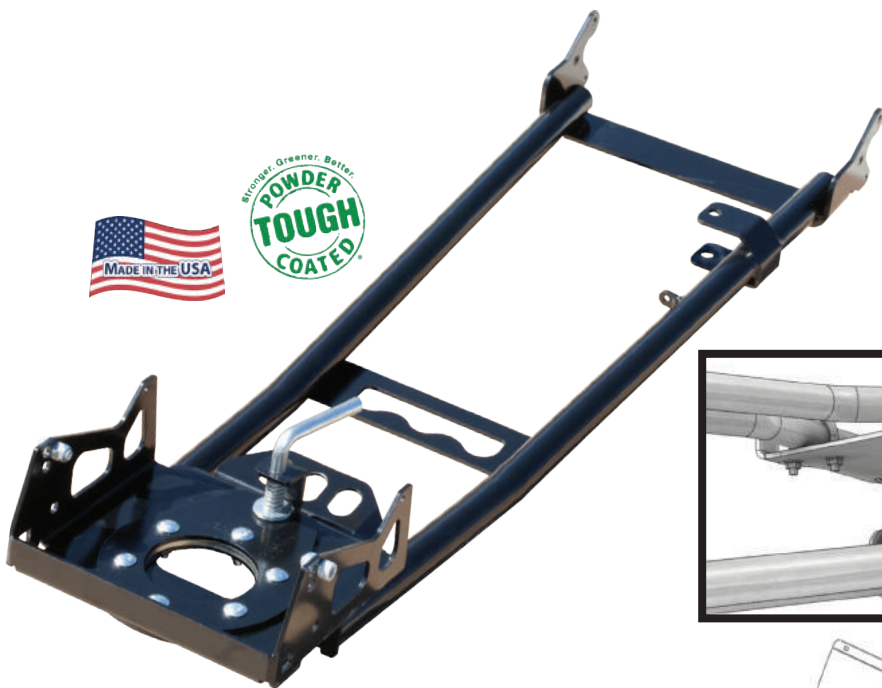
## UTV FRONT-Mount System



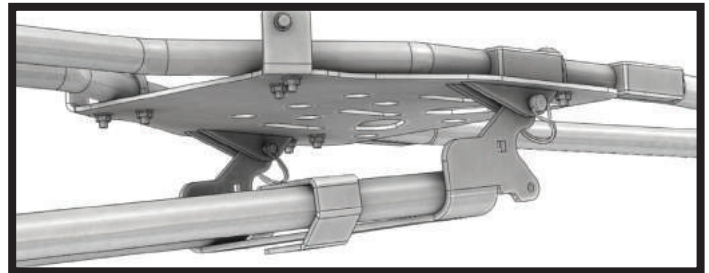
- Uses (2) 5/8" Pins to mount
- 3/8" Grade 50 Attachment Bracket
- 30"+ (or greater) lift height
- (3) Position Blade, Up to 25° to either side



## ATV MID-Mount System



- Uses (2) 3/8" Pins to mount
- Integrated Manual Lift brackets
- 1/4" Grade 50 Attachment Bracket
- 40-50% more lift height than the competition
- Works with Cycle Country ATV Mid-Mounts
- (5) Position Blade, Up to 25° to either side

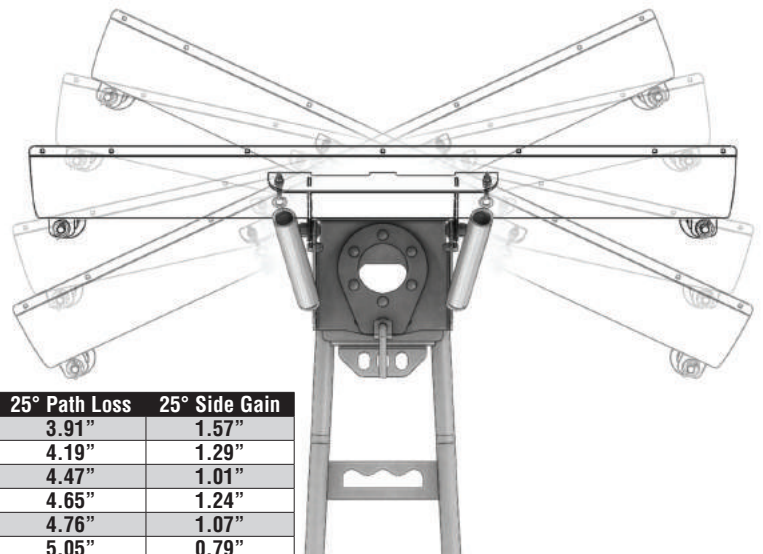


### KFI Plow Base/Push Tube Systems

#### Specifications:

- Easy-Pull Lever for Blade Adjustment
- Multi-Position Plow Lift Bracket
- (6) Blade Pitch Adjustments (in 5° increments)
- Heavy Duty 1/4" Grade 50 x 1-1/2" diameter Pivot Bushings
- Heavy Duty 5/16" Grade 50 x 6" diameter Blade Angle Bushing
- Shot Blasted before powder coating
- Powder Coated TOUGH - Black

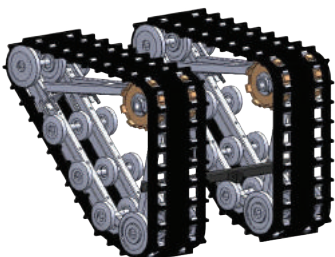
No. 105000 **ATV Pro-Series Base/Push Tubes**  
 No. 105235 **UTV Pro-Series Base/Push Tubes**



BLADE	25° Path Loss	25° Side Gain
48"	3.91"	1.57"
54"	4.19"	1.29"
60"	4.47"	1.01"
60" T	4.65"	1.24"
66"	4.76"	1.07"
72"	5.05"	0.79"

## GOT TRACKS ??

### KFI Plow Track Extension Kits



#### Specifications:

- Works with both ATV and UTV Plow Base/Push Tubes
- Constructed of Heavy Duty 3/16" or 1/4" Grade 50 Steel
- Extends ATV Blade 14.0" or 12.67" (two-position)
- Extends UTV Blade 9.0" or 7.67" (two-position)
- Shot Blasted before powder coating
- Powder Coated TOUGH - Black
- All Hardware included

No. 105430 **ATV Plow Track Extension Kit**  
 No. 105565 **UTV Plow Track Extension Kit**



All numbers in **BLUE** are new for this year.



## KFI ATV Manual Lift Kit

### Specifications:

- Works with KFI ATV Push Tubes #105000
- Will work universally on most ATVs
- Use with up to 60" KFI Blades
- When done plowing the lift will remain with the plow tubes
- Shot Blasted before powder coating
- Powder Coated TOUGH - Black
- Gets at least 5-1/2" of lift with around 25lbs of lift effort

No. **105015** Manual Lift Kit



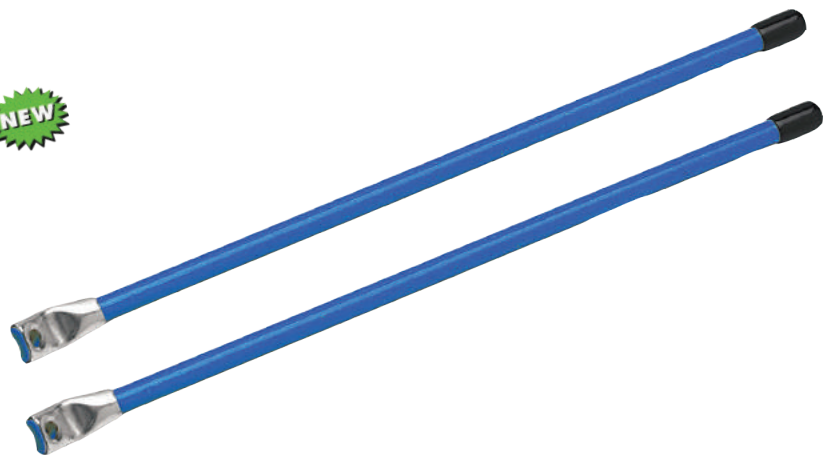
## KFI Plow Marker Kit



### Specifications:

- Increase your blade end visibility for added safety
- Bolts to the side/ends of your blade
- Poly Markers with a steel 89 Degree angled base
- Includes two markers

No. **105640** KFI Poly Plow Marker Kit

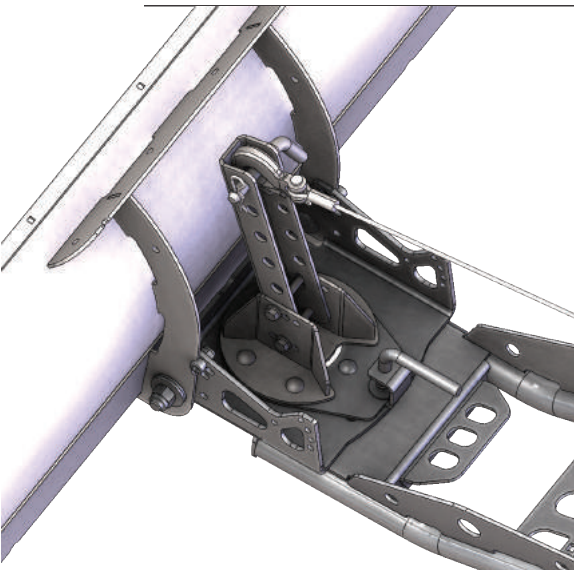


## KFI UTV Plow Lever lift

### Specifications:

- Repositions lift attach point to help reduce winch and cable strain from lower mounted winches and bad cable angles
- Fully adjustable for multiple angles and attach points
- Designed to work with KFI UTV Push Tubes #105635 Only
- Constructed of Heavy Duty 3/16" Grade 50 Steel
- Shot Blasted before powder coating
- Powder coated TOUGH - Black

No. **105570** KFI UTV Plow Lever Lift



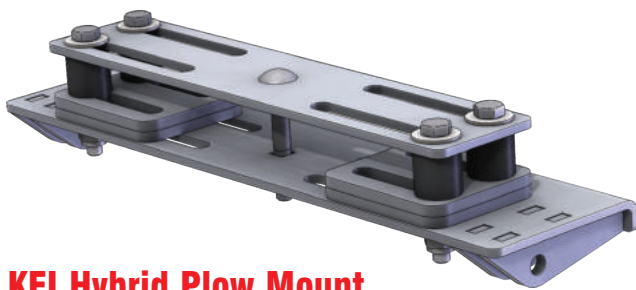


# HYBRID PLOW MOUNT & TUBES

## KFI Hybrid ATV Plow Mount, and System

It is designed to work with 90% of the ATV's on the market.

The KFI Hybrid Mount System is a unique mounting system in the fact that it mounts to the frame just behind the wheels, instead of on the front or middle of the machine. This allows the Hybrid Mount to work with 90% of the ATV's Old and New. This mount will work with round or square tubing frames that we do not have a model Specific plow mount for. It is however NOT recommended to be used on any Can-Am ATV's with the single tube Frame. It is also a great item to have on hand without having to stock multiple plow mounts to cover various machines. Please check the verified application chart for your machine fit-up. This chart is ONLY a list of verified applications and there are many ATV's that have not been verified that range back into the 1980's.

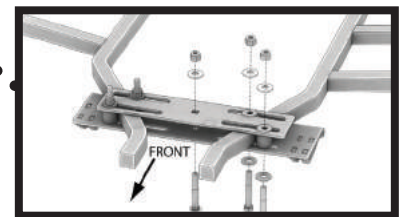
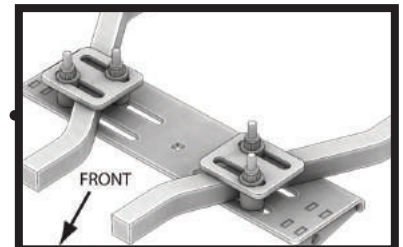
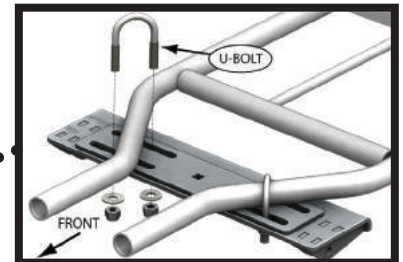
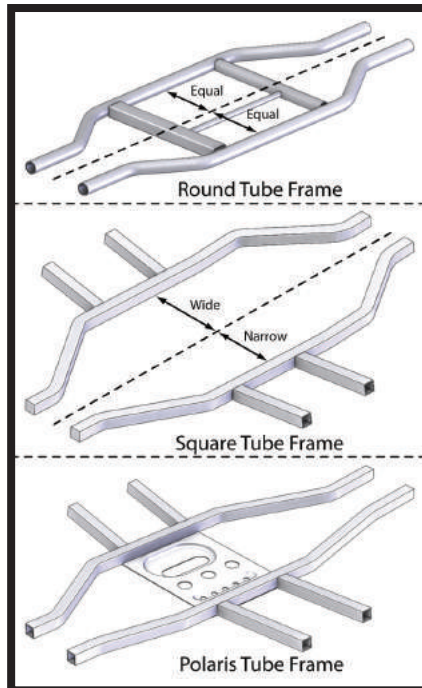
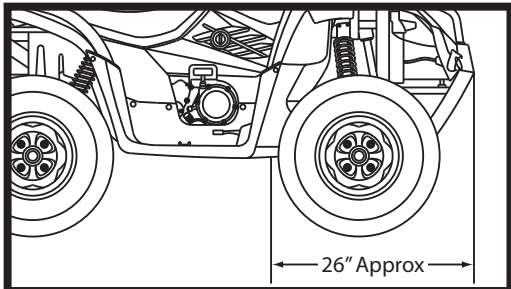


### KFI Hybrid Plow Mount

#### Specifications:

- Works with our standard ATV Tubes #105000 but will stick out 8.5" farther than using Model Specific Mount. Full Kit #105590 will come with 8.5" Shorter Tube System
- Made out of 3/16 Grade 50 Steel Material
- Plow tabs are 1/4" Grade 50 Steel Material
- Powder Coated TOUGH
- Includes U-bolts (not shown) for round tube frames
- All Hardware included
- Template available for compatibility check (CALL)
- See Application Chart on Page 25

#### No. 105515 KFI Hybrid Plow Mount

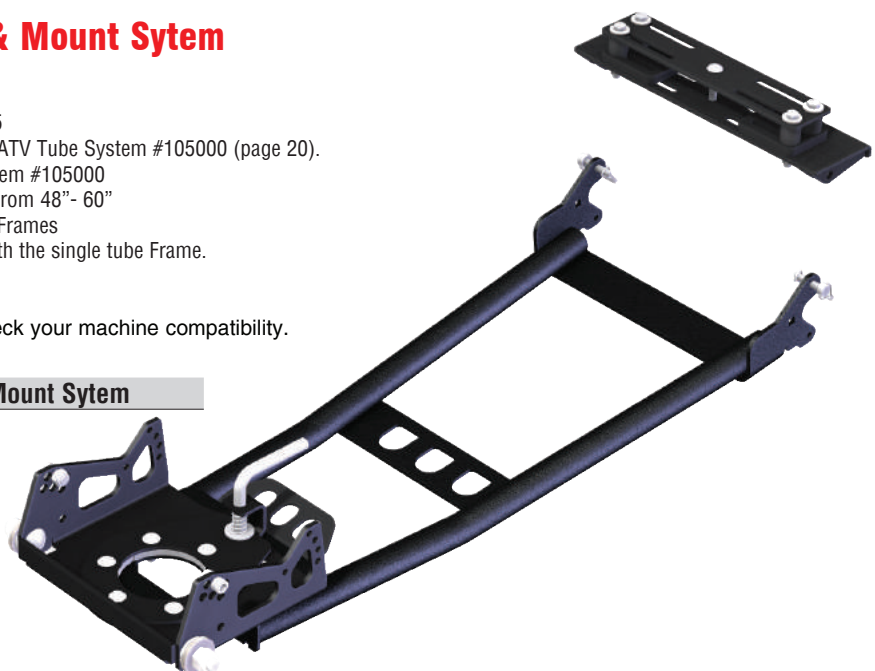


### HYBRID ATV Base/Push Tube & Mount Sytem

#### Specifications:

- Kit includes both Hybrid Plow Mount #105515 and Push Tubes
- For details on the Hybrid Mount System please see above #105515
- The included Push Tubes have the same features as our Standard ATV Tube System #105000 (page 20).
- This tube system is 8.5" Shorter than our Standard ATV Tube System #105000
- After Purchase of this kit you will need to purchase any KFI Blade from 48"- 60"
- This kit fits most 1980-present ATVs with round or Square tubing Frames
- This kit is NOT recommended to be used on any Can-Am ATV's with the single tube Frame.
- Requires a winch or similar to raise and lower
- See Application Chart on Page 25
- Call or check our website for a template you can use to check your machine compatibility.

#### No. 105590 HYBRID ATV Base/Push Tube and Mount Sytem





# ATV/UTV PLOW MOUNTS



 No. 105035 ATV	 No. 105040 ATV	 No. 105045 ATV	 No. 105050 ATV
 No. 105055 ATV	 No. 105065 ATV	 No. 105070 ATV	 No. 105075 ATV
 No. 105080 ATV	 No. 105090 ATV	 No. 105120 ATV	 No. 105130 ATV
 No. 105250 UTV	 No. 105255 UTV	 No. 105260 UTV	 No. 105265 UTV
 No. 105275 UTV	 No. 105280 ATV	 No. 105295 UTV	 No. 105365 ATV
 No. 105370 UTV	 No. 105375 UTV	 No. 105380 UTV	 No. 105395 UTV
 No. 105400 UTV	 No. 105410 UTV	 No. 105420 UTV	 No. 105435 UTV
 No. 105445 ATV	 No. 105455 UTV	 No. 105460 UTV	 No. 105470 UTV
 No. 105475 UTV	 No. 105480 UTV	 No. 105495 UTV	 No. 105530 UTV
 No. 105545 UTV	 No. 105555 UTV	 No. 105600 UTV	 No. 105605 ATV
 No. 105615 UTV	 No. 105620 UTV	 No. 105630 ATV	 No. 105695 UTV 

See Applications on page 24-25.



# ATV PLOW MOUNT APP CHART

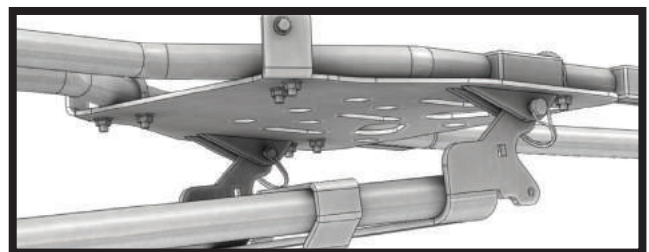
REVISION DATE 9-1-15

- 100% MADE IN USA.
- Grade 50 Steel construction.
- Easy to install
- Powder coated black for supreme durability.
- Unlike the competition, these are shot blasted before they are powder coated for the best possible finish prep.
- Complete installation instructions and hardware included.



Application	YEAR	PLOW MOUNT	TUBE SYSTEM
<b>ARCTIC CAT</b>			
400 (2x4/4x4/ACT/LE/MRP/VP)	'02-05	<b>105035</b>	105000
400 (4x4/LE/VP)	'06-08	<b>105035</b>	105000
400 (TBX 4x4)	2004	<b>105035</b>	105000
400 (TBX 4x4)	'05-07	<b>105035</b>	105000
400 (TRV 4x4)	'06-14	<b>105035</b>	105000
400 or 450 Core	'13-15	n/a	105000
450/i (4x4/GT/LTD/TRV)	'11-12	<b>105035</b>	105000
500 (all)	'02-15	<b>105035</b>	105000
550/i (4x4/GT/LTD/TRV/S)	'09-15	<b>105035</b>	105000
650 (4x4/LE)	2004	<b>105035</b>	105000
650 (all Models)	'05-11	<b>105035</b>	105000
700/i/Diesel (Most Models)	'06-15	<b>105035</b>	105000
900/1000/1000i/Thundercat (Most)	'08-15	<b>105035</b>	105000
XR 550 / 700 / 1000	'15-15	Call	105000
Wildcat 700	'14-16	<b>105610</b>	105000
Wildcat 1000	'12-16	<b>105655</b>	105000
<b>CAN-AM/BOMBARDIER</b>			
400 Outlander / Outlander MAX	'06-14	<b>105040</b>	105000
450 Outlander L / Outlander L MAX	'15-16	<b>105445</b>	105000
500 Outlander / Outlander MAX	'07-12	<b>105040</b>	105000
500 Outlander / Outlander MAX	'13-15	<b>105040</b>	105000
500 Outlander / Outlander L MAX	2015	<b>105445</b>	105000
<b>570 Outlander / Outlander MAX</b>	<b>2016</b>	<b>105445</b>	105000
<b>570 Outlander L / L MAX / L X</b>	<b>2016</b>	<b>105445</b>	105000
650 Outlander / Outlander MAX	'06-12	<b>105040</b>	105000
650 Outlander / Outlander L MAX	'13-16	<b>105445</b>	105000
650 Outlander X	'13-16	<b>105445</b>	105000
800 Outlander / Outlander MAX	'06-08	<b>105040</b>	105000
800R Outlander	'09-11	<b>105040</b>	105000
800R Outlander	'12-15	<b>105445</b>	105000
800R Outlander MAX	'09-12	<b>105040</b>	105000
800R Outlander MAX	'13-15	<b>105445</b>	105000
800 Outlander X	'11-12	<b>105040</b>	105000
800R Outlander X	2015	<b>105445</b>	105000
<b>850 Outlander / MAX / X</b>	<b>2016</b>	<b>105445</b>	105000
1000 Outlander / MAX / X	'11-15	<b>105445</b>	105000
<b>1000R Outlander / MAX / X</b>	<b>2016</b>	<b>105445</b>	105000
<b>Renegade 570</b>	<b>2016</b>	<b>105445</b>	105000
Renegade 500	'08-12	<b>105040</b>	105000
Renegade 500	'13-15	<b>105445</b>	105000
Renegade 800	'07-11	<b>105040</b>	105000
Renegade 800 / 850 / 1000 / 1000R	'12-16	<b>105445</b>	105000
<b>CFMOTO</b>			
X5 / X6 / X8	'12-14	<b>105130</b>	105000
CFORCE 500 / 600 / 800	'12-14	<b>105130</b>	105000
<b>HONDA</b>			
TRX420 Rancher 2x4 (all Models)	'07-13	<b>105045</b>	105000
TRX420 Rancher 4X4 (all Models)	'07-13	<b>105045</b>	105000
TRX420 Rancher "IRS ONLY" Models (FA*FPA*PG)	2014	<b>105045</b>	105000
TRX420 Rancher "SOLID AXLE ONLY" Models (FA*FE*FM*TE*TM)	2014	<b>105715</b>	105000
TRX420 Rancher 2x4 (all Models)	'15-16	<b>105715</b>	105000
TRX420 Rancher 4X4 (all Models)	'15-16	<b>105715</b>	105000
TRX500 Foreman (FA/FE/FM)	'05-06	<b>105055</b>	105000
TRX500 Foreman (FE/FM/FPE/FPM)	'07-11	<b>105055</b>	105000
TRX500 Foreman (All Models)	'12-13	<b>105045</b>	105000
TRX500 Foreman (All Models)	'14-16	<b>105715</b>	105000
TRX500 Rubicon (FA/FGA)	'05-06	<b>105055</b>	105000
TRX500 Rubicon (All Models)	'07-14	<b>105055</b>	105000
TRX500 Rubicon (All Models)	'15-16	<b>105715</b>	105000
TRX650 Rincon (FA/FGA)	'03-05	<b>105050</b>	105000
TRX680 Rincon (FA/FGA)	'06-16	<b>105050</b>	105000
<b>KAWASAKI</b>			
650 Brute Force 4x4	'05-13	<b>105070</b>	105000
650 Brute Force 4x4i	'06-13	<b>105065</b>	105000
650 Prairie 4x4	'01-03	<b>105070</b>	105000
700 Prairie 4x4	'04-06	<b>105070</b>	105000
750 Brute Force 4x4, 4x4i, 4x4i EPS	'05-16	<b>105065</b>	105000

Application	YEAR	PLOW MOUNT	TUBE SYSTEM
<b>POLARIS</b>			
ACE (ACE, 570, 900)	'14-16	<b>105630</b>	105000
ATP (330, 500)	'04-05	<b>105080</b>	105000
Magnum 330 4x4	'03-06	<b>105080</b>	105000
RZR 570	'12-16	<b>105280</b>	105000
RZR 800 (2 and 4 Seater)	'08-14	<b>105280</b>	105000
RZR 900 (2 and 4 Seater)	'11-16	<b>105605</b>	105000
RZRXP 1000	'14-16	<b>105605</b>	105000
<b>RZR S 1000</b>	<b>2016</b>	<b>105605</b>	105000
RZRXP 1000 4	'14-16	<b>105605</b>	105000
<b>RZRXP TURBO</b>	<b>2016</b>	<b>105605</b>	105000
Scrambler 850	'13-16	<b>105075</b>	105000
Scrambler 1000	'14-16	<b>105075</b>	105000
Sportsman ETX	2015	<b>105080</b>	105000
Sportsman 400	'01-05	<b>105080</b>	105000
Sportsman 400 (Hawkeye)	'08-10	n/a	105000
Sportsman 400	'11-14	<b>105080</b>	105000
Sportsman 450	'06-07	<b>105080</b>	105000
<b>Sportsman 450</b>	<b>2016</b>	<b>105080</b>	105000
Sportsman 500	'96-13	<b>105080</b>	105000
Sportsman 500	'11-13	<b>105080</b>	105000
Sportsman 500 Touring	'08-13	n/a	105000
Sportsman 500 X2	'06-09	n/a	105000
Sportsman 550	'09-14	<b>105075</b>	105000
Sportsman 550 Touring	'10-14	<b>105075</b>	105000
Sportsman 550 X2	'10-14	<b>105075</b>	105000
Sportsman 570	'14-16	<b>105080</b>	105000
Sportsman 570 Touring	'14-16	n/d	105000
Sportsman 570 X2	'15-16	n/d	105000
Sportsman 600	'03-05	<b>105080</b>	105000
Sportsman 700	'02-08	<b>105080</b>	105000
Sportsman 800	'05-14	<b>105080</b>	105000
Sportsman 800 Touring	'08-09	n/a	105000
Sportsman 800 X2	'07-09	<b>105080</b>	105000
Sportsman 850	'09-16	<b>105075</b>	105000
Sportsman 850 Touring	'10-16	<b>105075</b>	105000
Sportsman 850 X2	'10-11	<b>105075</b>	105000
Sportsman 1000	'15-16	<b>105075</b>	105000
Sportsman 1000 Touring	'15-16	<b>105075</b>	105000
<b>SUZUKI</b>			
400 Eiger 2x4, 4x4	'02-07	<b>105035</b>	105000
400 King Quad <b>4x4/AS/AF/Asi/Afi</b>	'08-16	<b>105035</b>	105000
450 King Quad 4x4/AXi	'07-10	<b>105090</b>	105000
500 King Quad AXi	'09-16	<b>105090</b>	105000
500 LFT Quad Runner 4x4	'98-02	<b>105035</b>	105000
500 Vinson 4x4	'02-07	<b>105035</b>	105000
700 King Quad 4x4	'05-07	<b>105090</b>	105000
700 Twin Peaks	'04-06	<b>105070</b>	105000
750 King Quad 4x4/AXi	'08-16	<b>105090</b>	105000
<b>YAMAHA</b>			
350 Bruin 2x4, 4x4	'04-06	<b>105120</b>	105000
350 Grizzly 2x4, 4x4	'07-14	<b>105120</b>	105000
350 Kodiak 4x4 (Canada)	'07-14	<b>105120</b>	105000
400 Grizzly 4x4	'07-08	<b>105120</b>	105000
400 Kodiak 2x4, 4x4	'03-04	<b>105120</b>	105000
400 Kodiak 4x4	'05-07	<b>105120</b>	105000
450 Grizzly 4x4	'07-14	<b>105120</b>	105000
450 Kodiak 4x4	'03-14	<b>105120</b>	105000
550 Grizzly 4x4	'09-14	<b>105130</b>	105000
660 Grizzly 4x4	'02-08	<b>105130</b>	105000
700 Grizzly 4x4	'07-16	<b>105130</b>	105000
<b>700 Kodiak 4x4</b>	<b>2016</b>	<b>105130</b>	105000



Note: <sup>A</sup> Plow mount includes a lower 2" Receiver Hitch (built -in)

<sup>B</sup> Requires Stock Front Bumper

<sup>C</sup> Requires Drilling

<sup>D</sup> Requires KFI Winch Mount #100660 or Polaris OEM Winch Mount

<sup>E</sup> Requires KFI Winch Mount #100765

<sup>F</sup> Requires KFI Winch Mount #100575

<sup>G</sup> Requires KFI Winch Mount #100960

<sup>H</sup> Requires KFI Fairlead Bracket #100695

<sup>J</sup> Requires KFI Winch Mount #101160

See Plow Mount images on page 23

All numbers in BLUE are new for this year.



# UTV PLOW MOUNT APP CHART



- 100% MADE IN USA.
- Grade 50 Steel construction.
- Easy to install
- Powder coated black for supreme durability.
- Unlike the competition, these are shot blasted before they are powder coated for the best possible finish prep.
- Complete installation instructions and hardware included.



REVISION DATE 9-1-15

Application	YEAR	PLOW MOUNT	TUBE SYSTEM
<b>ARCTIC CAT UTV'S</b>			
Prowler 500 HDX	'14-15	105370	105635
Prowler 550	'09-14	105370	105635
Prowler 550	'15-15	n/a	
Prowler 650	'06-09	105370	105635
Prowler 700 HDX	'11-15	105370	105635
Prowler 700	'08-14	105370	105635
Prowler 700	'15-15	n/a	
Prowler 1000	'09-14	105370	105635
Prowler 1000	'15-15	n/a	
Wildcat 700	'14-16	See ATV	
Wildcat 1000	'12-16	See ATV	
<b>BENNECE UTV'S</b>			
Bighorn 500 and 700	--	C 105555	105635
<b>BOBCAT UTV'S</b>			
3200 Series	'11-14	A 105380	105635
3400 Series	'11-14	A 105380	105635
<b>CAN-AM/BOMBARDIER UTV'S</b>			
800 Commander	'10-16	105275	105635
1000 Commander	'10-16	105275	105635
<b>CASE IH UTV'S</b>			
Scout XL	2011	A-B 105435	105635
<b>CFMOTO UTV'S</b>			
Terracross Z6	2012	105480**	105635
ZFORCE 500	2016	Call	
ZFORCE 600 / 600EX	'13-14	105480**	105635
ZFORCE 800	2016	105645	105635
UFORCE 500	2016	Call	
UFORCE 600	'12-13	Call	105635
UFORCE 800	'13-15	C 105600	105635
<b>GRAVELY UTV'S</b>			
Atlas JSV	--	A-B 105475	105635
<b>HISUN UTV'S</b>			
HS 500, 600, 700, 700 Crew	--	C 105555	105635
<b>HONDA UTV'S</b>			
500 Pioneer	'15-16	C 105615	105635
700 MUV Big Red 4x4	'09-13	A&C 105375	105635
700 Pioneer	'14-16	C 105495	105635
700-4 Pioneer	'14-16	C 105495	105635
1000 1000-5 Pioneer	2016	105740	105635
<b>JCB UTV'S</b>			
Workmax 800 D / 1000 D	'13-14	G 105460**	105635
<b>JOHN DEERE UTV'S</b>			
Gator HPX	'04-15	105545	105635
Gator XUV 620i	'07-10	105545	105635
Gator XUV 625i	'11-15	105395	105635
Gator XUV 825i	'11-15	105395	105635
Gator XUV 850D	'07-10	105545	105635
Gator XUV 855D	'11-15	105395	105635
Gator XUV 855D S4	'11-15	105395	105635
Gator RSX 850i / 860i	'13-16	n/a	105635
Gator XUV 550	'12-15	105455	105635
Gator XUV 550 S4	'12-15	105455	105635
<b>KAWASAKI UTV'S</b>			
520 Mule	'00-03	n/a	105635
550 Mule	'99-04	n/a	105635
600 Mule	'05-16	F 105470**	105635
610 Mule	'05-16	F 105470**	105635
750 Teryx	'08-13	105250**	105635
750 Teryx4	'12-13	105250**	105635
800 Teryx	'14-16	105250**	105635
800 Teryx4	'14-16	105250**	105635
812 Mule PRO-FXT/DXT/FX/DX	'15-16	105620	105635
3000 Mule 2x4	'01-08	105400	105635
3010 Mule 4x4	'01-08	105400	105635
3020 Mule	'01-08	Call	105635
4000 Mule 2x4	'09-16	105365	105635
4010 Mule 4x4	'09-16	105365	105635
4010 Mule Diesel 4x4	'09-14	105365	105635

Application	YEAR	PLOW MOUNT	TUBE SYSTEM
<b>KUBOTA UTV'S</b>			
RTV500 / RTV400ci	'08-Current	105295	105635
RTV900 (with Front 1-1/4" Receiver)	'04-08	105295	105635
RTV900 (with Front 2" Receiver)	'09-Current	105420	105635
RTV1100	'07-Current	105295	105635
RTV1140 (with Front 1-1/4" Receiver)	'04-08	105295	105635
RTV1140 (with Front 2" Receiver)	'09-Current	105420	105635
RTV-X Series (900, 1100C, 1120D)	Current	105420	105635
<b>LINHAI UTV'S</b>			
Bighorn 28	--	105625	105635
<b>MASSIMO UTV'S</b>			
MSU-500	--	C 105555	105635
MSU-700	--	C 105555	105635
MSU-700-4	--	C 105555	105635
<b>NEW HOLLAND UTV'S</b>			
Rustler 120/125	'10-12	A-B 105435	105635
<b>POLARIS Midsize Rangers</b>			
ETX Ranger Midsize 4x4	'15-16	A-B 105255	105635
EV Ranger Midsize 4x4	'10-16	A-B 105255	105635
400 Ranger Midsize 4x4	'10-14	A-B 105255	105635
500 Ranger Midsize 4x4	'11-13	A-B 105255	105635
500-4 Ranger Midsize 4x4 Crew	'11-13	A-B 105255	105635
570 Ranger Midsize 4x4	'14-16	A-B 105255	105635
570-4 Ranger Midsize 4x4 Crew	'14-16	A-B 105255	105635
800 Ranger Midsize 4x4	'13-14	A-B 105255	105635
<b>POLARIS Fullsize Rangers</b>			
Diesel Ranger Full-Size 4x4	'11-14	A-B 105255	105635
Diesel Ranger Full-Size 4x4	'15-16	A-B 105475	105635
Diesel Ranger Full-Size 4x4 Crew	2016	A-B 105475	105635
TM Ranger Full-Size 2x4	'04-06	A-B 105260	105635
425 Ranger Full-Size 2x4	'01-04	A-B 105260	105635
500 Ranger Full-Size 2x4	'01-08	A-B 105260	105635
500 Ranger Full-Size 4x4	'02-08	A-B 105260	105635
500 Ranger Full-Size 4x4	'09-10	A-B 105255	105635
500 Ranger Full-Size 6x6	'02-05	A-B 105260	105635
570 Ranger Full-Size 4x4	2015	A-B 105475	105635
570 Ranger XP Full-Size 4x4 (NEW body Style)	2016	A-B 105475	105635
570 Ranger Full-Size 4x4 (OLD body Style)	2016	A-B 105255	105635
570-6 Ranger Full-Size 4x4 Crew	'15-16	A-B 105475	105635
700 Ranger Full-Size 4x4	'05-08	A-B 105260	105635
700 Ranger Full-Size 4x4	2009	A-B 105255	105635
700 Ranger Full-Size 6x6	'06-09	A-B 105260	105635
700 Ranger Full-Size 4x4 Crew	'08-09	A-B 105260	105635
800 Ranger Full-Size 4x4	'10-14	A-B 105255	105635
800 Ranger Full-Size 6x6	'10-16	A-B 105255	105635
800 Ranger Full-Size 4x4 Crew	'10-14	A-B 105255	105635
900 Ranger Full-Size 4x4	'13-16	A-B 105475	105635
900-5/6 Ranger Full-Size 4x4 Crew	'14-16	A-B 105475	105635
<b>POLARIS RZR's</b>			
570 RZR	'12-16	D 105410**	105635
800 RZR	'08-14	D 105410**	105635
800 RZR 4	'10-14	D 105410**	105635
900 RZR	'11-14	E 105410**	105635
900 RZR	'15-16	See ATV	
900 RZR 4	'12-14	E 105410**	105635
1000 RZR	'14-16	See ATV	
1000 RZR 4	'14-16	See ATV	
TURBO RZR	2016	See ATV	
<b>YAMAHA UTV'S</b>			
450 Rhino 4x4	'06-11	105265**	105635
660 Rhino 4x4	'03-07	105265**	105635
700 Rhino 4x4	'08-13	105265**	105635
Viking 4x4	'14-16	A&J 105530	105635
Viking VI 4x4	'15-16	A&J 105530	105635
Wolverine SxS (all models)	2016	A&J 105695	105635

- Note:**
- A Plow mount includes a lower 2" Receiver Hitch (built-in)
  - B Requires Stock Front Bumper
  - C Requires Drilling
  - D Requires KFI Winch Mount #100660 or Polaris OEM Winch Mount
  - E Requires KFI Winch Mount #100765

- F Requires KFI Winch Mount #100575
- G Requires KFI Winch Mount #100960
- H Requires KFI Fairlead Bracket #100695
- J Requires KFI Winch Mount #101075
- \*\* Recommends also purchasing the #105270 Plow Pully

See Plow Mount images on page 23

# SNO-DEVIL RETAIL PLOW

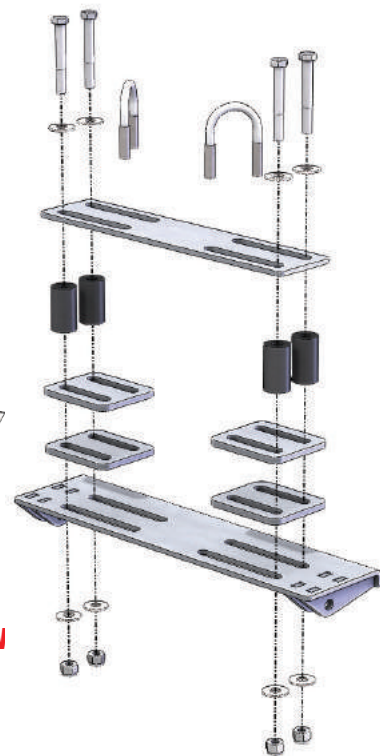


## Hybrid Mount Application Chart

Application	YEAR
<b>ARCTIC CAT</b>	
250 (4x4)	'03-05
300 (4x4)	'03-05
350 (4x4)	'11-12
366 (4X4)	'08-11
400 (4x4)	'03-10
400 (4x4)	'13-15
425 (4x4)	'11-12
450 (4x4)	'10-12
450 (4x4)	'13-15
500 (4x4)	'03-09
500 (4X4)	'13-15
550 (4x4)	'09-15
650 (4x4)	'05-12
700 (4X4)	'06-15
1000 (4X4)	'08-15
<b>CAN-AM/BOMBARDIER</b>	
ALL MODELS NOT RECOMMENDED	ALL
<b>CF MOTO</b>	
CF500	'08-12
<b>HONDA</b>	
TRX420 Rancher	'07-15
TRX500 Foreman	'05-15
TRX500 Rubicon	'05-15
TRX650 Rincon	'03-05
TRX680 Rincon	'06-15
<b>KAWASAKI</b>	
360 Prairie	'02-14
400 Prairie	'98-02
650 Brute Force 4x4	'05-14
650 Brute Force 4x4i	'06-14
750 Brute Force 4x4i	'05-15
<b>KYMCO</b>	
MXU375	'09-10
MXU450i	'12-14
MXU500 & 500i (IRS)	'07-14
<b>POLARIS</b>	
Sportsman 400	'11-14
Sportsman 500 (ALL)	'06-14
Sportsman 550 (ALL)	'09-14
Sportsman 800 (ALL)	'05-14
Sportsman 850 (ALL)	'09-14
<b>TGB</b>	
425 Outback	2008
<b>SUZUKI</b>	
400 King Quad	'08-15
450 King Quad	'07-10
500 King Quad	'09-15
700 King Quad 4x4	'05-07
700 Twin Peaks	'04-06
750 King Quad 4x4/AXi	'08-15
<b>YAMAHA</b>	
350 & 450 Grizzly	'07-14
400 Big Bear	'00-14
550 Grizzly	'09-14
660 Grizzly	'02-08
700 Grizzly	'07-15

## Hybrid Mount System

The KFI Hybrid Mount System is a unique mounting system in the fact that it mounts to the frame just behind the wheels, instead of on the front or middle of the machine. This allows the Hybrid Mount to work with 90% of the ATV's on the market.



## KFI 48" Sno-Devil Plow

### Specifications:

- Requires a Winch for Lifting
- (5) Position Blade, Up to 25° to either side
- (6) Blade Pitch Adjustments (in 5° increments)
- Includes Universal Hybrid Mount #105515 (page 24), 48" Blade and Push Tubes
- 12 System per Pallet (Box Size 48.5 x 17.75 x 10.375)
- UPS Shippable
- Powder Coated TOUGH
- 14ga Steel Blade and 3/16" Grade 50 steel gusseting
- 2-Sided 3/16" Grade 50 Steel Wear Bar attached with Grade 8 Bolts
- Adjustable HEAVY-DUTY Skid Pads
- 48" Bolt Together Blade with 16" of Blade Height

No. 105500 48" ATV Sno-Devil Complete ATV Plow System

All numbers in **BLUE** are new for this year.





## SINGLE DEALER WINCH DISPLAY

- Holds Winch, Contactor and Mini-Rocker (NOT included)
- Works with all KFI Winches
- Can sit on counter or hang on standard Grid wall with included Gridwall Bracket
- Comes with hardware to mount (1) winch as shown (winch NOT included)

No. 110565



Shown hanging on standard gridwall (winch and gridwall NOT included)



## KFI PRODUCTS 4x2 BANNER

- 4' W x 2' T size
- Indoor or Outdoor
- eyelets in corners for hanging

No. G000020



Shown with winches and accessories (NOT included)

## FLOOR STANDING WINCH DISPLAY

- Holds up to (5) Winches
- Comes with hardware to mount (1) winch as shown (winch NOT included)
- Side channels have eye hook holes for hanging accessories
- Assembly required
- Display Dimensions: 20" x 23" x 75"
- Display Weight: 71 lbs.

No. 110400



## *Kappers Fabricating, Inc.*

KFI Products is our brand name of products that we primarily manufacture at Kappers Fabricating Inc. We are family owned and have been in business since 1986. In 2002, we decided to start some of our own products and we engineered our very first KFI ATV Winch Mount. Since the inception of our first ATV mount we have come a long way with our own KFI Products line. We have also added products such as our KFI Winch to help compliment our manufactured products.



Many KFI Products and accessories are made in our 40,000 sq. ft. Manufacturing Facility and 18,000 sq. ft. Powder Coating Facility in Spring Valley, MN. Most of the KFI Products are assembled, packaged, received and shipped from our new 12,000 sq. ft. facility directly behind our manufacturing plant. We also thoroughly research any possible partnerships with other manufacturers and use our own staff of powersports enthusiasts to rigorously test the products we bring to our home facility. Because quality and customer satisfaction are our top two priorities, we only sell items that meet our most demanding standards. Our highly-skilled engineers and production team work together to create custom ATV accessories from the highest quality materials. Once completed, all KFI Products are inspected to confirm the exact specifications needed for your ATV model. We strive for a precise fit with ease of installation.

With our in-house engineering, riding experts, and other business partners, we believe that KFI Products provides you with the highest-quality ATV accessories at the best possible prices.

Come to our website and see our other exciting products, including bumpers, winching accessories, and upgrades.

