

FIGHT THE GRIND™

LubriMatic®

LUBRICATION PRODUCTS & SOLUTIONS



90128

SUPERCEDES CATALOGS
90127 & 90600

**MOVE
PRODUCTS
FOR ANY
ENVIRONMENT**

CONTENTS

GREASE GUNS

4-14

GREASE GUN ACCESSORIES

15-21

GREASE FITTINGS

22-25

PUMPS/SIPHONS

26-31

OILERS / ADHESIVE GUNS

32-33

FILTER WRENCHES

34-37

FUNNELS

38-41

MEASURES / FILLERS

42-45

LIFT DRAINS & ACCESSORIES

46-47

GREASE / OIL

48-57

PARTS INDEX

58-59



LEVER GREASE GUNS

30-200
30-449



STANDARD LEVER GREASE GUNS

Ideal for household and do-it-yourself automotive use. 2-way loading: 14 oz. cartridge or suction load. Includes 5-3/8" angled pipe and coupler. Develops up to 6,000 PSI. Delivers 1 oz./40 strokes.

30-200 Boxed. 5/master

30-449 Polybagged. 10/master

30-203



An improvement of the 30-200, this gun has a textured barrel and rubber handle grip for added ease of use. 2-way loading: 14 oz. cartridge or suction load. Includes 5-3/8" angled pipe and coupler. Added bleeder valve and locking plunger provide for easier priming. Develops up to 6,000 PSI. Delivers 1 oz./40 strokes.

30-203 Boxed. 5/master

30-802



PROFESSIONAL LEVER GREASE GUNS

A step up from standard lever grease guns. Lightweight aluminum barrel and rubber handle make for easier use. 3-way loading: 14 oz. cartridge, bulk or suction. Includes 5-3/8" angled pipe, coupler and 12" flex hose. Added bleeder valve and locking plunger for easier priming. Develops up to 7,000 PSI. Delivers 1 oz./40 strokes.

30-802 Boxed. 10/master

INDUSTRIAL LEVER GREASE GUNS

Made for the punishing day-in and day-out service required by industrial customers. Variable/short stroke for easy use in confined areas. Dual port head cap with bulk loader fitting for 3-way loading: 14 oz. cartridge, bulk or suction. 5-3/8" pipe and coupler. Plated lever with comfortable oversized grip. Develops up to 10,000 PSI. Delivers 1 oz./22 strokes.

30-465 Zinc plated barrel. Boxed. 5/master

30-475 Painted barrel. Boxed. 5/master



30-465



30-475

EXTREME DUTY LEVER GREASE GUNS

Ultimate® Grease Gun equipped with 10" grease pipe, HD coupler, longer lever, barrel and lever-comfort grips, air bleeder valve, bulk loader fitting, variable/ short stroke and 3-way loading: 14 oz. cartridge, bulk or suction. Develops up to 10,000 PSI. Delivers 1 oz./12 strokes. Built to take extreme punishment.

30-480 Boxed 5/master



30-480

The Dual Piston Grease Gun provides the best of both worlds. High pressure output needed for dirty, blocked fittings easily switches to high volume to get the job done faster. 3-way loading: 14 oz. cartridge, bulk or suction. Includes 5-3/8" angled pipe with HD coupler, and 18" flex hose with HD coupler. Dual purpose bulk loader/bleeder fitting makes priming easier. The lightweight aluminum barrel and rubber handle grip make for more comfortable use. Develops up to 10,000 PSI. Delivers 1 oz./12 strokes.

30-804 Boxed. 5/master



30-804

PISTOL GREASE GUNS



30-300

STANDARD PISTOL GREASE GUNS

Easy one handed operation. 2 way loading: 14 oz. cartridge or suction load. Head cap port for adding air bleeder or bulk loader fitting. Equipped with 5-1/2" grease pipe and coupler. Develops up to 6,000 PSI. Delivers 1 oz./40 strokes.

30-300 Boxed. 5/master

30-310 Includes 12" Flex Hose. Boxed. 3/master



30-310

A cut above the 30-300, this gun adds a textured barrel and rubberized grip for ease of use and comfort. 2-way loading: 14 oz. cartridge or suction load. The added bleeder valve and locking plunger provide for easier priming. Equipped with 5-1/2" grease pipe and coupler. Develops up to 6,000 PSI. Delivers 1 oz./40 strokes.

30-303 Boxed. 5/master



30-303

PROFESSIONAL PISTOL GREASE GUNS

Features variable stroke for use in tight places. 3-way loading: 14 oz. cartridge, bulk or suction. Includes 18" flex hose with coupler, vinyl handle grip, air bleeder, and bulk loader fitting. Develops up to 7,000 PSI. Delivers 1 oz./40 strokes.

30-416 Boxed. 5/master



30-416

CONTINUOUS FLOW AIR OPERATED PISTOL GREASE GUN

Continuously pumps grease while trigger is depressed. 2-way loading: 14 oz. cartridge or suction load. Includes 5-3/8" pipe and coupler. Develops up to 3,600 PSI. Delivers 5 oz. per minute.

30-114 Boxed. 10/master



BATTERY OPERATED GREASE GUN

12 VOLT BATTERY GREASE GUN KIT

12-Volt NiCad Battery Operated Grease Gun Kit. Includes storage case, 1 hour quick charger, 30" flex hose, heavy duty coupler, and bleeder valve. 2-way loading: 14 oz. cartridge or suction load. Develops up to 7,700 PSI, delivers 2 oz. of grease per minute (4-6 tubes of grease per charge).

30-601 Storage Case. 1/master

12V BATTERY REPLACEMENT

30-602 12V Battery replacement for 30-601. Boxed. 2/master

12V CHARGER REPLACEMENT

30-603 Charger replacement (not shown). Boxed. 1/master

BARREL/PLUNGER REPLACEMENT

30-613 Replacement Barrel/Plunger (not shown). Boxed. 1/master



MINI GREASE GUNS

ECONOMY MINI GREASE GUNS

A compact "tool box" size grease gun perfect for hard to reach jobs. Barrel takes 3 oz. grease cartridge. Includes 4" straight pipe and coupler. Develops up to 3,500 PSI. Delivers 0.5 oz./40 strokes.

30-132 With LubriMatic® Multi-Purpose Lithium Grease. Display Pack. Clamshell. 10/master

30-132-07 Gun Only.
Bulk. 20/box



30-132

GENERAL PURPOSE MINI GREASE GUNS

Small, versatile grease gun. Allows for front and top pipe placement. Pistol grip for easy one-handed use, and locking plunger for easy priming. Includes 4-1/2" straight pipe and coupler.

30-100 2-way loading: 3 oz. cartridge or suction load. Develops up to 3,500 PSI. Delivers 0.5 oz./40 strokes. Clamshell. Display pack. 4/master

30-193 2-way loading: 3 oz. cartridge or suction load. Develops up to 4,400 PSI. Delivers 0.5 oz./40 strokes. Bulk. 25/box

30-192 2-way loading: 3 oz. cartridge or suction load. Includes LubriMatic® Corrosion Control Trailer Wheel Bearing Grease. Develops up to 4,400 PSI. Delivers 0.5 oz./40 strokes. Clamshell. 10/master

30-190 2-way loading: 3 oz. cartridge or suction load. Includes LubriMatic® Multi-Purpose Lithium Grease. Develops up to 4,400 PSI. Delivers 0.5 oz./40 strokes. Clamshell. 10/master



30-100

30-193

30-192

30-190

HEAVY DUTY MINI GREASE GUN

This heavy duty mini grease gun offers more versatility than ever before by providing both a 4" grease pipe and a 12" flex hose with coupler. A coated handle and textured barrel provides a no-slip grip, and a locking plunger allows for easy priming. Develops up to 4,500 PSI. Delivers 0.5 oz./40 strokes.



30-800 Display Pack. Clamshell. 10/master



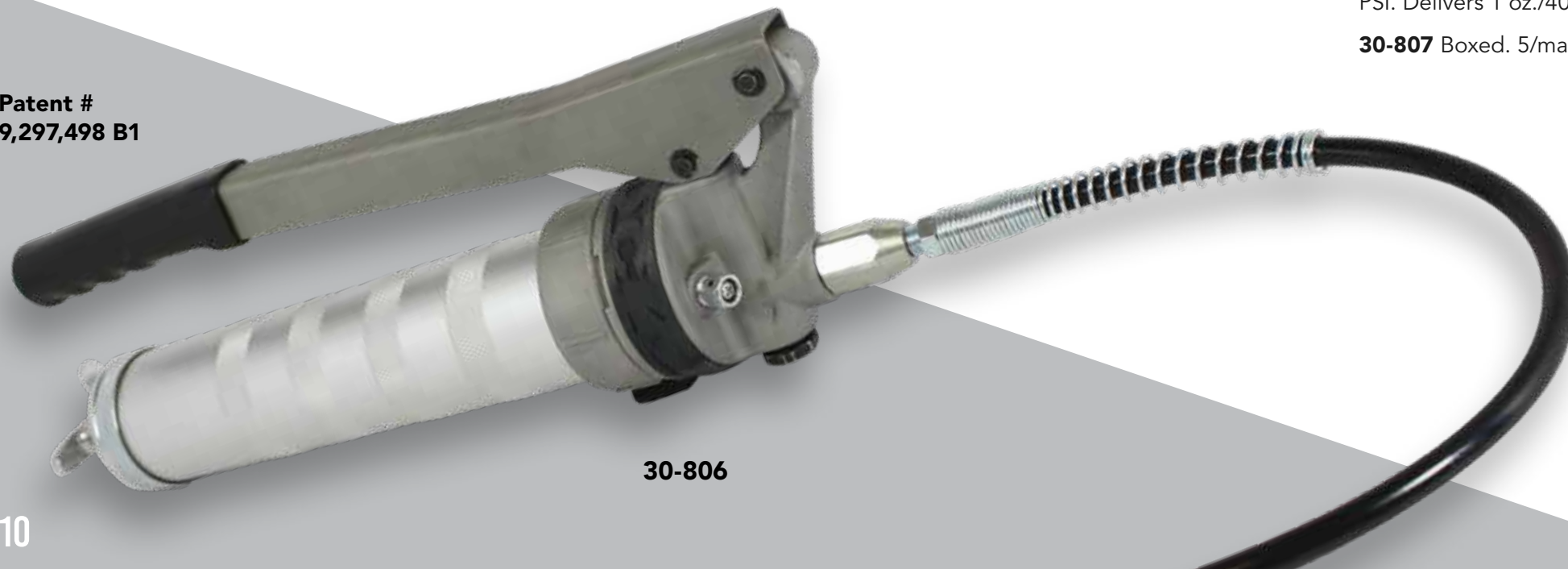
SnapLock®

THREADLESS RELOAD™

QUICK RELEASE GREASE GUNS

The SnapLock® grease guns innovate the grease gun world with a patented "threadless" barrel and locking mechanism to secure the barrel in place. The aluminum barrels are lightweight to reduce fatigue during use. 3-way loading: 14 oz. cartridge, bulk or suction. An auto-bleeder valve and locking plunger make priming simple. Variable stroke for use in tight spaces. Best in class in the grease gun market.

Patent #
9,297,498 B1



30-806

LEVER GREASE GUN

Includes 5-1/2" angled pipe, 18" flex hose and heavy duty coupler. Develops up to 10,000 PSI with pressure release valve. Delivers 1 oz./27 strokes.

30-806 Boxed. 5/master

PISTOL GREASE GUN

Includes 5-1/2" straight pipe, 18" flex hose and heavy duty coupler. Develops up to 8,000 PSI. Delivers 1 oz./40 strokes.

30-807 Boxed. 5/master



30-807

Cross-contamination is the cause of 60–80% of bearing failures.
**TO STOP CROSS-CONTAMINATION,
 THE ANSWER IS
 CLEAR.**



30-730

ULTRAVIEW®

CLEAR TUBE, RIGHT LUBE®

CLEAR GREASE GUNS

BATTERY OPERATED GREASE GUN

2-way loading: 14 oz. cartridge or suction. Equipped with two 18-Volt NiCad batteries, 1 hour quick charger, 42" flex hose, coupler, carrying strap and storage case. Develops up to 7,500 PSI. Delivers 1 oz./40 strokes.

30-730 Storage Case. 1/master

LEVER GREASE GUN

3-way loading: 14 oz. cartridge, bulk or suction. Equipped with 5-1/2" pipe, 12" flex hose and coupler. Develops up to 10,000 PSI. Delivers 1 oz./27 strokes.

30-700 (Red), 30-701 (Green) Boxed. 5/master

PISTOL GREASE GUN

3-way loading: 14 oz. cartridge, bulk or suction. Equipped with 5-1/2" pipe, 12" flex hose and coupler. Develops up to 7,000 PSI. Delivers 1 oz./40 strokes.

30-720 (Red), 30-721 (Green) Boxed. 5/master

SUCTION GUN

Visually see inside to determine amount of dirt or impurities in system. 16 oz. capacity. 12" clear hose. 9-3/4" stroke.

30-740 (Red), 30-741 (Green) Boxed. 5/master

ULTRAVIEW® CLEAR TUBES

Fits 2.280-16 UNS non-standard threads.

- Alemite 500, 590, 525
- Lincoln 1132, 1133, 1134 (new models), 1142, 1145, 1147, 1148
- Zee Line 444, 610, 613, 619, 620, HD4, HD4A

Available in four colors for your grease gun.

30-750 (Red), 30-751 (Green), 30-753 (Black), 30-754 (Blue)
 Boxed. 1/master

LUBE POINT POSITIVE ID SYSTEM (LPPID)

LPPID is a patent-pending color coordinating system that matches the Zerk fitting to the color of the UltraView® clear grease gun tube. 2 sizes available, 4 colors each (part numbers below). 25 per bag.

Fits 1/4" -28 grease fittings	30-760	30-761	30-763	30-764
Fits 1/8" NPT grease fittings	30-770	30-771	30-773	30-774



30-700



30-720



30-740



30-750 30-751 30-753 30-754

MISCELLANEOUS GREASE GUNS



JIFFY LUBER W/PUSH TYPE ADAPTER

Designed for quick grease jobs. Squeeze tubes (not included) fit into the zinc die-cast body for easy dispensing. Includes 2-11/16" pipe.

30-195 Carded. 10/master



HANDI-GRIP PISTOL LUBER®

All-purpose gun attaches to squeeze tubes of grease (not included). Includes spring-returned plated steel lever, zinc die-cast body, riveted plated steel link, 5-1/2" flex hose, and standard duty coupler.

30-197 Carded. 10/master

30-197-07 Bulk. 25/box



SUCTION GUN

Designed for draining and filling non-corrosive liquids. Barrel holds approximately one pint with 9" stroke. Features 12" plastic hose and durable corrosion-resistant finish.

30-118 Boxed. 10/master

GREASE GUN HOSES & PIPES



STANDARD DUTY FLEXIBLE GREASE HOSES

For use on hand operated grease guns only. 1/8" NPT male fittings on each end. Recommended working pressure is 4,000 PSI.

10-200 12" Length. Carded. 10/master

10-201 18" Length. Carded. 10/master



HEAVY DUTY FLEXIBLE GREASE HOSES

For use on hand operated grease guns only. Steel 1/8" NPT male fittings on each end. Recommended working pressure is 5,000 PSI.

10-212 12" Length. Carded. 10/master

10-214 12" Length. Bulk. 10/box

10-218 18" Length. Bulk. 10/box

10-219 18" Length. Carded. 5/master

30-111-07 6" Length. Bulk. 200/box



FLEXIBLE GREASE HOSES FOR AIR OPERATED EQUIPMENT

Heavy duty, nylon braided, high quality thermoplastic grease hose with bend restrictor for air operated systems, 1/8" NPT male fittings on each end. Recommended working pressure is 6,000 PSI.

10-512 12" Length. Carded. 5/master

10-514 18" Length. Carded. 10/master

10-536 36" Length. Carded. 12/master



5-3/8" CURVED GREASE PIPE

Standard length pipe with 1/8" pipe thread on each end. 30° angle. Recommend working pressure is 8,000 PSI.

05-061 Carded. 10/master

COUPLERS

QUICK CONNECT LOCKING COUPLER



The quick connect coupler easily attaches and disconnects from fittings with one simple motion. The coupler conveniently swivels 360° for access to any fitting location. Solid steel construction allows the coupler to build up to 8,000 PSI and still disconnect with ease. 1/8" NPT.

05-026
Carded. 5/master



STANDARD DUTY COUPLER

Standard jaw-type coupler feature spring-loaded ball check valve. Fits 1/8" NPT threads. For hand operated lube equipment only. Recommended working pressure is 4,500 PSI.

- 05-031** Carded. 10/master
- 05-031-2** 2 Pack. Carded 10/master
- 05-031-6** 6 Pack. Carded. 10/master
- 05-028** Bulk. 10/box
- 05-030** Bulk. 100/box



HEAVY DUTY COUPLER

All steel construction for increased pressures. For hand operated grease guns only. Recommended working pressure is 6,000 PSI. Fits 1/8" NPT threads.

- 05-035** Carded. 10/master
- 05-034** Bulk. 10/box



EXTREME DUTY COUPLER

Designed for use with air powered equipment as well as hand guns. Heavy duty construction withstands higher pressures. Recommended working pressure is 8,000 PSI. Fits 1/8" NPT threads.

- 05-036** Carded. 10/master
- 05-038** Bulk. 25/box



90° GREASE COUPLER ADAPTER

For hard-to-reach grease fittings on cars, trucks and other equipment. Ideal for lubrication of front wheel drive vehicles. Complete with both small and large sleeves to fit all standard couplers. For hand operated grease guns only. Recommended working pressure is 4,500 PSI.

05-059 Carded. 10/master



RIGHT ANGLE COUPLER

Designed for hard-to-reach grease fittings, this 90° coupler with hex head greases fittings in confined spaces. 1/8" NPT female inlet. Recommended working pressure is 1,000 PSI.

05-058 Carded. 10/master



180° SWIVEL COUPLER

Designed to lock at any angle up to 180°. Spring-loaded sleeve locks coupler in place for straight applications or slides back for angular application. Has an 8" overall length and corrosion-resistant finish. For hand operated grease guns only. 1/8" NPT male inlet. Recommended working pressure is 3,000 PSI.

05-050 Carded. 10/master



360° SWIVEL COUPLER

Swivels in a full 360° circle and locks in place. 45° angle gives easy access to most grease fittings. Comes with standard grease coupler and 1/8" NPT female inlet for extension pipe. For hand operated grease guns only. Recommended working pressure is 4,500 PSI.

05-057 Carded. 5/master



360° HEAVY DUTY SWIVEL COUPLER

For use with air operated equipment. Swivels in full 360° circle and locks in place. 45° angle gives easy access to most grease fittings. 1/8" NPT female inlet. Recommend working pressure is 6,500 PSI.

05-052 Carded. 5/master



BUTTON HEAD FITTING COUPLER

Specially designed for button head grease fittings. 1/8" NPT female inlet. Zinc-plated steel.

- 05-048** Carded. 5/master
For 5/8" button head fittings
- 05-049** Carded. 5/master
For 7/8" button head fittings

GREASE GUN ACCESSORY KITS

Commonly needed accessories all in one reusable case. Kit includes 6" flexible whip hose, standard grease coupler, bleeder valve, rubber seal-off dispenser, grease injector needle, needle nose dispenser and grease coupler cap.

7 PIECE ACCESSORY KIT

05-060 Reusable box. Display Pack. 6/master

INCLUDES

- 6" Flex Hose
- Seal-Off Dispenser
- Grease Gun Coupler
- Air Bleeder Valve
- Needle Nose Dispenser
- Injector Needle
- Grease Gun Coupler Cap



27 PIECE ACCESSORY KIT

05-065 Includes 20 assorted fittings. Reusable Box. Display Pack. 6/master

INCLUDES

- 6" Flex Hose
- Seal-Off Dispenser
- Grease Gun Coupler
- Air Bleeder Valve
- Needle Nose Dispenser
- Injector Needle
- Grease Gun Coupler Cap
- 20 Assorted Grease Fittings (1/4" x 28, 1/8 NPT and 6 mm)

GREASE GUN ACCESSORIES

GREASE GUN HOLDER

Designed for wall mounting with 2 screws (not included). Center latch locks. Corrosion-resistant finish.

70-901 Carded. 5/master

70-902 Bulk. 25/box



GREASE GUN BRACKET

High tension spring and durable steel plate hold grease guns securely in place. Corrosion resistant finish.

70-904 Bulk. 2/box

GREASE GUN ACCESSORIES



GREASE INJECTOR NEEDLE

Lubricates in very tight places such as universal joints and sealed bearings. Tempered steel 18 gauge x 1-1/2" long needle. Equipped with standard grease fitting and protective plastic cover. For hand operated grease guns only.

05-037 Carded. 10/master



SEAL-OFF DISPENSER

Use for lubricating cars with grease plugs. Oil and grease resistant rubber tip. 1/8" NPT female inlet. For hand operated grease guns only.

05-041 Carded. 10/master



NEEDLE TIP ADAPTER

For chain saws, universal joints, bicycles, etc. For hand operated grease guns only.

05-042 Carded. 10/master



PUSH TYPE ADAPTER

For hard to reach fittings on cars, trucks, and other equipment. Equipped with a slide on locking sleeve, it quickly connects to any standard coupler. Simple push engagement with fittings makes for quick use.

05-021 Carded. 10/master



1/2" NEEDLE NOSE DISPENSER

Dispenses a fine line of grease. .55" needle length. .046" tip diameter and .20" body diameter. For hand operated grease guns only. 1/8" NPT female.

05-045 Carded. 10/master



BEARING PACKERS

For use with either hand operated or power lube equipment. Threaded center post for positive locking of wheel bearing.

70-025 Steel. 1/2" to 5" OD, 2" height bearings. Carded. 5/master

70-026 Plastic. 1/2" to 4-1/4" OD, 2" height bearings. Carded. 3/master

GREASE GUN ACCESSORIES



1.5" NEEDLE NOSE DISPENSER

Hardened steel tip and 1-1/2" length dispenses a fine line of grease. Ideal for hard-to-reach jobs. .046" tip diameter and .16" body diameter. For hand operated grease guns only. 1/8" NPT female.

05-019 Carded. 10/master



4" NEEDLE NOSE ADAPTER

Perfect for use on trucks, vans and RVs. For converting jaw-type lube couplers to steel needle points. Dispenses fine line of grease. Includes both small and large sleeves to fit all standard couplers. Overall length 7-1/8", tip diameter .046", body diameter .250" For hand operated grease guns only.

05-025 Carded. 10/master



AIR BLEEDER VALVE

Quickly vents air pockets in grease guns. Zinc-plated, easy to use. 1/8" NPT male fitting.

05-039 Carded. 10/master



GREASE GUN LOADER FITTINGS

Use in grease gun heads for bulk loading. Zinc-plated. 1/8" NPT male fitting.

05-047 Carded. 10/master

GREASE FITTING TOOLS



LARGE 4-WAY GREASE FITTING TOOL

Designed for 1/8" NPT fittings. Tap repairs 1/8" NPT threads. Wrench removes 7/16" and 3/8" hex fittings and plugs. Wrench installs new fittings. 1/8" NPT "easy-out" removes broken fittings.

11-904 Carded. 5/master

11-902 Bulk. 25/box



SMALL 4-WAY GREASE FITTING TOOL

Designed for 1/4"-28 and 6mm fittings. Tap repairs 1/4"-28 threads. Wrench removes 5/16" and 3/8" hex fittings and plugs. Wrench installs new fittings. 1/4"-28 "easy-out" removes broken fittings.

11-903 Carded. 10/master



STRAIGHT DRIVE GREASE FITTING TOOL

For straight drive-in fittings; 4-1/2" long, 11/16" diameter.

11-912 Carded. 5/master



IMPACT FITTING CLEANER

Simple to use cleaner for dirty, blocked grease fittings. Includes 6" flexible hose for hard to reach fittings.

11-917 Storage Case. 3/master

GREASE FITTINGS



STANDARD GREASE FITTING ASSORTMENT – 8 PIECE

1/4"-28 standard fittings on blister card. Includes 4 straight, 2 at 45° angle and 2 at 90° angle.

11-955 Carded. 10/master



METRIC GREASE FITTING ASSORTMENT – 8 PIECE

6mm x 1 metric fittings on blister card. Includes 4 straight, 2 at 45° angle and 2 at 90° angle

11-957 Carded. 10/master



STANDARD GREASE FITTING ASSORTMENT – 25 PIECE

1/4"-28 grease fittings packed in a transparent box. Includes 10 short, straight, 6 short at 45° angle, 4 long at 45° angle, and 5 short at 90° angle.

11-962 Boxed. 10/master



METRIC GREASE FITTING ASSORTMENT – 25 PIECE

6mm x 1 metric grease fittings packed in a transparent box. Includes 10 short, straight, 8 short at 45° angle, and 7 short at 90° angle.

11-963 Boxed. 10/master

GREASE FITTINGS



STANDARD GREASE FITTING ASSORTMENT – 50 PIECE

1/4"-28 grease fittings packed in transparent box. Includes 25 short straight, 5 long straight. 10 at 45° angle and 10 at 90° angle.

11-951 Boxed. 10/master



PIPE THREAD GREASE FITTING ASSORTMENT – 50 PIECE

1/8" NPT grease fittings, packed in transparent box. Includes 30 straight, 10 at 45° angle and 10 at 90° angle.

11-954 Boxed. 10/master



DELUXE GREASE FITTING ASSORTMENT – 100 PIECE

1/8" NPT and 1/4"-28 grease fittings packed in transparent box. 1/8" NPT fittings include 30 straight, 2 at 30° angle, 5 at 45° angle, 5 at 65° angle and 3 at 90° angle. 1/4"-28 fittings include 40 straight, 10 at 45° angle and 5 at 90° angle.

11-953 Boxed. 1/master

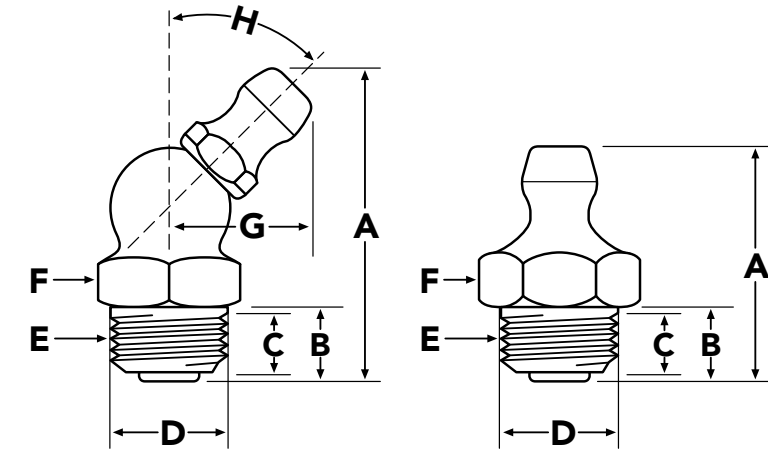


100 PIECE METRIC GREASE FITTING KIT

6mm, 8mm, and 10mm grease fittings packed in transparent box. 6mm fittings include 40 straight, 6 at 45° angle, and 6 at 90° angle. 8mm fittings include 12 straight, 6 at 45° angle, and 6 at 90° angle. 10mm fittings include 12 straight, 6 at 45° angle, and 6 at 90° angle.

11-956 Boxed. 10/master

SIZES & SPECIFICATIONS



5 PACK	10 PACK	BOX 50	BOX 100	BOX 1000	DESCRIPTION	A	B	C	D	E	F	G	H
SAE FITTINGS													
-	11-151	-	11-150	-	1/8" NPT STRAIGHT, SHORT	21/32	9/32	3/16	13/32	1/8 NPT	7/16	-	-
11-159	-	-	11-218	-	1/8" NPT 45° ANGLE	55/64	19/64	7/32	13/32	1/8 NPT	7/16	29/64	45°
11-167	-	11-166	-	-	1/8" NPT 90° ANGLE	27/32	19/64	7/32	13/32	1/8 NPT	7/16	1/2	90°
11-201	-	-	11-226	-	1/4" NPT STRAIGHT	7/8	27/64	5/16	17/32	1/4 NPT	9/16	-	-
-	11-101	-	11-100	11-103	1/4"-28 STRAIGHT, SHORT	35/64	3/16	7/64	1/4	1/4-28 SAE-LT	5/16	-	-
-	11-105	-	11-104	-	1/4"-28 45° ANGLE	13/16	13/64	9/64	1/4	1/4-28 SAE-LT	3/8	13/32	45°
-	11-113	11-112	-	-	1/4"-28 90° ANGLE	3/4	13/64	5/32	1/4	1/4-28 SAE-LT	3/8	1/2	90°
METRIC FITTINGS													
11-301	-	-	-	-	6 MM – 1.0 METRIC STRAIGHT	39/64	15/64	5/32	15/64	6 MM-1P	7 MM	-	-
11-305	-	-	-	-	6 MM – 1.0 METRIC 90° ANGLE	47/64	13/64	5/32	15/64	6 MM-1P	9 MM	1/2	90°
11-311	-	-	-	-	8 MM – 1.0 METRIC STRAIGHT	21/32	15/64	5/32	5/16	8 MM-1P	9 MM	-	-
11-313	-	-	-	-	8 MM – 1.0 METRIC 45° ANGLE	59/64	13/64	5/32	5/16	8 MM-1P	9 MM	13/32	45°
11-315F	-	-	-	-	8 MM – 1.0 METRIC 90° ANGLE	23/32	13/64	5/32	5/16	8 MM-1P	9 MM	1/2	90°
11-321	-	-	-	-	10 MM – 1.0 METRIC STRAIGHT	21/32	15/64	5/32	25/64	10 MM-1P	11 MM	-	-
THREAD FORMING FITTINGS													
-	-	-	-	11-432	1/4"-28 SPECIAL TAPER DRIVE	17/32	13/64	1/8	1/4	1/4-28	5/16	-	-
DRIVE FITTINGS													
-	11-447	-	-	11-448	1/4" STRAIGHT DRIVE	35/64	1/4	-	1/4	-	11/32	-	-
-	11-438	-	-	-	3/16" STRAIGHT DRIVE	17/32	1/4	-	3/16	-	5/16	-	-
-	11-453	-	-	-	5/16" STRAIGHT DRIVE	35/64	1/4	-	5/16	-	3/8	-	-

PUMPS & SIPHONS

BOTTLE PUMPS & ADAPTER FITTING

55-001



4cc pump for adding oil and other fluids to small engines and marine lower units. Flexible hose for hard-to-reach fill plugs. Intended for quart sized bottles.

55-001 Clamshell. 12/master

55-005 3/8"-16 swivel metal marine filler fitting. Clamshell. 6/master

55-007 3/8"-16 plastic marine filler fitting. Clamshell. 12/master

55-012 (not shown) Fitting only. Tohatsu, Nissan and Honda (2-50 hp) lower units. 8 mm x 1.25" thread. Carded. 5/master

55-005



55-007



SIPHON HOSE

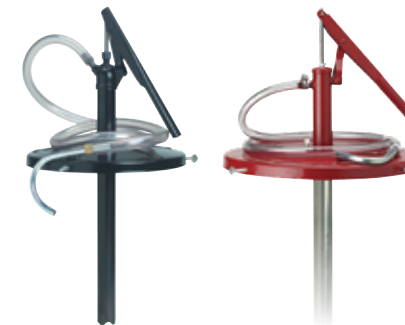
Multi-purpose all rubber siphon hose. 6' length. Rubber bulb makes it easy to start flow of liquid. Ideal for home, garden, boat, shop or garage. Transfers, drains or pumps all types of liquid including gasoline.

75-847 Bagged. 10/master



75-847

FLUID LUBRICANT PUMPS



55-440

55-441

LEVER ACTION DISPENSER

For transfer of transmission, differential and heavier fluids. Self priming. Delivers 3 oz. per stroke. Complete with 4 ft. oil-resistant hose and drum pail cover. Fits open head pails/drums.

55-440 For 5 gallon/35 lb. pail. Boxed. 1/master

55-441 For 16 gallon/120 lb. pail. Boxed. 1/master



MARINE LOWER UNIT PAIL PUMP

For bulk filling of marine lower units and stern drives. Delivers 3 oz. per stroke. Complete with threaded fitting for domestic standard lower units. Fill adapter for other engines available (see 55-012, page 26). Fits 5 gallon/35 lb. pail.

55-011 Boxed. 1/master



BEARING PACKER GREASE PUMP

Hand operated, portable bearing packer. Ideal for packing several bearings in a short amount of time. For all car, boat, trailer and RV bearings having a minimum ID of 1/2" to a maximum OD of 5". Height of 1/4" to 2". Rugged steel construction. Fits 35-50 lb./5 gallon plastic pails. Includes follower plate.

55-107 Boxed. 1/master



GREASE GUN FILLER PUMP

Includes filler adapter for LubriMatic® bulk loader fittings. Equipped with follower plate, pail cover and filler adapter cap to prevent grease contamination. Fits 35-50 lb./5 gallon pails.

55-117 Boxed. 1/master

TRANSFER PUMPS



MULTI-PURPOSE TRANSFER PUMP

The multi-use fluid transfer pump is a versatile pump for liquid transfer and air inflation. Ideal for siphoning gas or changing oil. May also double as an inflator for sports balls, air mattresses, and small tires. Pump includes two 50" liquid transfer hoses, 16" air hose, and the necessary nozzles and accessories.

75-846 Clamshell. 6/master



HAND TRANSFER PUMP

Ideal for transfer from one container to another, also for draining oils and other fluids. Hand operated, self-priming. Great for farm, home, automotive and factory use. Heavy duty steel construction. 8 ft. tubes (.50" ID x .63" OD) for suction and discharge of fluids up to 90 wt. Double check valve. Approximately 1 gallon per 8 strokes.

30-108 Boxed. 6/master

ROTARY BARREL PUMPS



STANDARD ROTARY BARREL PUMP

For transferring non-corrosive petroleum-based fluids of light to medium viscosity. For industrial, commercial, automotive and agricultural applications. Single direction 2-vane pump with rugged cast iron housing and 42" steel suction pipe. Spout OD 1-1/16".

55-303 Boxed. 1/master

PULL-UP BARREL PUMPS

STEEL BARREL PUMP

55-017 Fits 30-55 gallon drums. Boxed. 1/master



NYLON BARREL PUMP

55-019 Fits 30-55 gallon drums. Boxed. 10/master



5-GALLON PAIL PUMP

55-141 Boxed. 3/master



LEVER OPERATED BARREL PUMPS

55-123



**55-124
55-125**



HEAVY DUTY BARREL PUMP

2-piece telescoping suction tube fits 30–55 gallon drums. Dispenses approximately 10 oz. per stroke. Standard bung adapter, all steel foot valve and piston valve. Spout OD 3/4". Standard garden hose thread discharge spout.

55-123 Boxed. 1/master

PROFESSIONAL BARREL PUMP

Lever style barrel pump with non-drip sprout. Equipped with brass rings and floating piston design. Self-adjusting telescopic suction tube. Designed to pump all lubrication-based fluids, antifreeze, agricultural and industrial non-corrosive fluids. Dispenses approximately 12 oz. per stroke. Fits 30–55 gallon drum.

55-124 With standard lever handle. Boxed. 1/master

55-125 With multi-directional handle. Boxed. 1/master

PLASTIC BARREL PUMPS



ROTARY BARREL PUMP

Fits 5–55 gallon drums. Heavy duty chemical resistant construction and seals enable this pump to be used with DEF, fuel, water base and acidic solutions. Delivers 6 gallons per 100 revolutions. Spout OD 1-1/16".

55-155 Boxed. 4/master

LEVER BARREL PUMP

Fits 5–55 gallon drums. Heavy duty chemical resistant construction and seal enable these pumps to be used with DEF, fuel, water base and acidic solutions. Self-adjusting telescopic suction tube. Delivers 9 oz. per stroke. Spout OD 7/8".

55-156 Boxed. 4/master



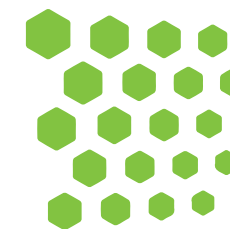
PUMP APPLICATION CHART

ITEM NO.	TYPE	MATERIAL TO BE PUMPED	MATERIAL NOT TO BE PUMPED
30-108	HAND HELD TRANSFER PUMP STYLE STEEL CONSTRUCTION & VINYL HOSE	OIL-BASED FLUIDS	WATER-BASED FLUIDS, SOLVENTS, WEAK ACIDS, ANTIFREEZE, GASOLINE*/ DIESEL FUEL
55-001 55-005 55-007 55-012	BOTTLE, PUSH PUMP STYLE	OIL-BASED FLUIDS	GASOLINE, DIESEL, ACIDS OR BASES
55-017	ROD STYLE STEEL PISTON / VALVES NO RUBBER PACKING OR SLEEVES	OIL-BASED FLUIDS	WATER-BASED FLUIDS, WEAK ACIDS, ANTIFREEZE, GASOLINE*/ DIESEL FUEL
55-019	ROD STYLE STAINLESS STEEL PISTON	ACETATES, AMMONIA, BENZENE, KETONES, LACQUERS, LACQUER SOLVENTS, DEF, METHANOL, TOLUENE AND THINNERS, GASOLINE. DIESEL, AND SOME ACIDS	BLEACH, CITRIC ACID, CHLORINE, SODIUM CHLORIDE, HYDROCHLORIC ACID. SEE CHEMICAL COMPATIBILITY CHART
55-123 55-124 55-125	LEVER STYLE STEEL PISTON/BRASS RINGS	OIL-BASED FLUIDS ANTIFREEZE WINDSHIELD WASHER FLUID	WATER-BASED FLUIDS, SOLVENTS, WEAK ACIDS, GASOLINE*/ DIESEL FUEL
55-155	ROTARY BARREL STYLE CHEMICALLY RESISTANT MATERIALS	ACIDS, ALKALINES, GASOLINE, D.E.F., DIESEL, MACHINE OIL, WATER, ALCOHOL, THINNERS AND PETROLEUM-BASED PRODUCTS	
55-156	LEVER BARREL STYLE CHEMICALLY RESISTANT MATERIALS	WATER, ALCOHOL, GASOLINE, D.E.F, DIESEL, KEROSENE & PETROLEUM-BASED PRODUCTS, WATER, WATER-BASED CHEMICALS, ALCOHOL, KEROSENE, GASOLINE, DIESEL, PETROLEUM-BASED PRODUCTS, MILD ACID AND MILD ALKALI SOLUTIONS	
55-200	DIAPHRAGM STYLE PUSH/PULL LEVER	OIL-BASED FLUIDS, LIKE HEATING OIL AND OTHER PETROLEUM PRODUCTS GASOLINE*/DIESEL FUEL	WATER-BASED FLUIDS, SOLVENTS, WEAK ACIDS
55-303	ROTARY STYLE, CAST IRON	OIL-BASED FLUIDS	WATER-BASED FLUIDS, SOLVENTS, WEAK ACIDS, ANTIFREEZE, GASOLINE, OR DIESEL
75-846	ROD STYLE	WATER-BASED FLUIDS, OIL-BASED FLUIDS, AND GASOLINE	

HELPFUL HINTS



WATER-BASED materials attack **unplated steel** (rust).



SOLVENTS attack **lubricated parts** (break down lubricants), and also attack **rubber parts** (dissolve rubber).



ACIDS attack **nickel plating** and **unplated steel** (corrosion).



POLYPROPYLENE AND NYLON are **resistant** to some chemicals (see chart).

OILERS / ADHESIVE GUNS

PISTOL OILERS

Drawn steel bodies. Rugged epoxy finish resists rust.

- 6 oz. size available with or without base holder.
- Rigid spouts have .15" diameter ledge-cone machined tips to lift oil filler dust caps.



50-509CC Case-cut box. 6 oz. capacity with 6" rigid spout. Labeled. 10/master



50-515 6 oz. capacity with base holder and 6" rigid spout. Labeled. 10/master



50-516 6 oz. capacity with base holder and 6" flex spout. Labeled. 10/master



50-573 1 pint capacity with 6" flex spout. Boxed. 1/master



50-583 1 quart capacity with 6" rigid spout. Boxed. 1/master



50-595 8 oz. capacity with 6" flex spout. Boxed. 6/master

HANDLED OILER



Heavy duty, drawn steel bodies. Durable, epoxy finish bodies resist rust.

- Zinc-plated, detachable flex sprout with 1/2"-20 thread base.
- Detachable tip threaded 10-32 with closure cap.

50-337 1 pint capacity with 9" flex spout. Boxed. 5/master

50-347 1 quart capacity with 9" flex spout (not shown). Boxed. 24/master

PLASTIC OILERS



50-590 6 oz. capacity with 4-1/2" spout. Labeled. 6/master



50-592 6 oz. capacity with 7-1/2" flex spout. Labeled. 6/master

ADHESIVE GUNS

Feature zinc die-cast caps, 4" zinc-plated spouts and heavy duty triggers. Spout tips have 12-32 threads. Spout bases have 3/8"-24 threads. Brush tip available. Durable epoxy finish bodies. Pump most non-corrosive fluids which will seek their own level. Not recommended for water-based adhesives. Tip I.D.055".



30-955 1 pint with 4" spout. Boxed. 1/master

30-956 Replacement spout for 30-955 (not shown). Bulk. 100/master

99-619 Brush tip for adhesive guns (not shown). Bagged. 1/master



30-960 1 pint with long adapter. Boxed. 1/master



30-962 6-3/4" pump and adapter. Boxed. 1/master

FILTER WRENCHES

STANDARD FILTER WRENCHES



ECONOMY STANDARD FILTER WRENCHES

Standard fixed handle with vinyl grip.

70-535 Small. Fits 2-9/16" to 3-1/8" (65–79 mm). Carded. 6/master

70-536 Medium. Fits 3-1/2" to 3-7/8" (89–98 mm). Carded. 6/master



ECONOMY ADJUSTABLE FILTER WRENCH

4-way adjustable band fits a wide range of sizes. Wide band prevents crushed filters.

70-805 2-3/4" to 4" (70–102 mm). Carded. 10/master



PRO-TUFF® STANDARD FILTER WRENCH

70-605 Medium. Fits 3-1/2" to 3-7/8" (89–98 mm). Carded. 10/master

70-607 Large. Fits 4-1/8" to 4-1/2" (105–114 mm). Carded. 5/master

70-609 Truck. Fits 4-3/4" to 5-1/8" (120–130 mm). Carded. 5/master

70-611 Tractor. Fits 5-3/8" to 5-3/4" (136–146 mm). Carded. 5/master

SWIVEL FILTER WRENCHES



ECONOMY SWIVEL FILTER WRENCHES

For hard-to-reach jobs. Feature a swivel handle with vinyl grip to easily clear obstructions.

70-537 Medium. Fits 3-1/2" to 3-7/8" (89–98 mm). Carded. 6/master

70-538 Small. Fits 2-9/16" to 3-1/8" (65–79 mm). Carded. 6/master

70-539 Compact. Fit 2-1/4" to 2-1/2" (57–63 mm). Carded. 6/master



PRO-TUFF® SWIVEL FILTER WRENCHES

Extra heavy duty construction with studded steel band. Feature a lock nut for setting angles and tightening handle and a tough non-slip grip. These wrenches with their swivel handle design make removing hard-to-reach filters easy. 1" band.

70-621 Compact. Fits 2-1/4" - 2-9/16" (57–65 mm). Carded. 10/master

70-623 Small. Fits 2-13/16" to 3-5/32" (71–80 mm). Carded. 10/master

70-625 Medium. Fits 3-1/2" to 3-7/8" (89–98 mm). Carded. 10/master

70-627 Large. Fits 4-1/8" to 4-1/2" (105–114 mm). Carded. 5/master

BAND FILTER WRENCHES



PRO-TUFF® 3/8" RACHET DRIVE

Low profile design for easy access to hard to reach filters. Heavy duty hardened link and 1" studded steel band. Use with 3/8" drive extension.

70-635 Fits 2-13/16" to 3-5/32" (71–80 mm). Carded. 10/master



2" BAND, PRO-TUFF® HEAVY DUTY TRUCK 1/2" RACHET DRIVE

70-761 Fits 4-1/8" to 4-21/32" (105–118 mm). For Ford/Internationals 6.9, 7.1 and most Mack engine filters. Carded. 5/master

70-763 Fits 4-21/32" to 5-1/8" (118–130 mm). Carded. 5/master

70-765 Fits 5-5/32" to 5-21/32" (131–143 mm). Boxed. 1/master

CAP FILTER WRENCHES

70-786 15 flutes. 3-21/32" (93 mm). Carded. 4/master

70-787 15 Flutes. 2-29/32" & 3" (74 & 76 mm). Carded. 4/master

70-790 14 flutes. 2-35/64" & 2-11/16" (65 & 68 mm). Carded. 4/master

70-792 14 flutes. 2-7/8" (73 mm). Carded. 4/master



MISCELLANEOUS FILTER WRENCHES



PLIERS-STYLE FILTER WRENCH

Comfortable vinyl grips and black oxide finish. Special slip-joint handle. 20° jaw angle and slim pliers design gets into areas other wrenches can't.

70-746 Fits 2-1/2" to 4-5/8" (63–117 mm). Carded. 5/master

Special locking handle and non-slip grip ensure maximum hold.

70-748 Fits 2-1/8" to 4-5/8" (54–117 mm). Carded. 3/master



NYLON STRAP FILTER WRENCH

70-719 Sturdy, non-slip nylon belt with 1/2" square drive. Fits filters up to 6". Carded. 5/master



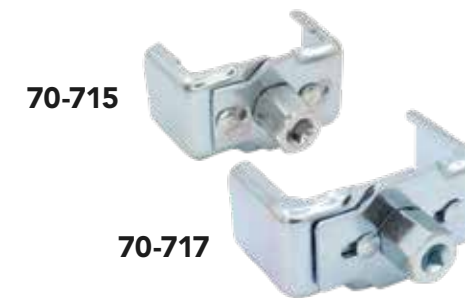
2-PIECE STRAP WRENCH SET

70-720 Multi-purpose strap wrenches with adjustable, durable rubber strap. Fits almost any object.

Regular: 3/8" to 5-1/4" (9.5–133 mm)

Large: 1" to 6-1/2" (25.4–165 mm)

Carded. 3/master



BI-DIRECTIONAL FILTER WRENCHES

2-way filter wrench removes and installs oil filters. Fits most domestic and imported cars and trucks. Designed to fit where standard wrenches can't. Use with 3/8" square drive or 7/8" open/combo wrench.

70-715 Small. 2-13/16" to 3-1/16" (71 mm–78 mm) Carded. 5/master

70-717 Large. 3-3/8" to 3-11/16" (86 mm–93 mm) Carded. 3/master

FUNNELS

GALVANIZED STEEL FUNNELS

Heavy duty steel funnels. Capacity indicates what the funnels will hold when the outlet is blocked.



75-001 1 quart capacity, 7" total height, 6" diameter, 3/4" OD tip. Labeled. 12/master

75-002 Offset, 5 quart capacity, 11" total height, 10" diameter, 1-1/4" OD tip with screen. Labeled. 6/master

75-003 2 quart capacity, 8" total height, 8" diameter, 3/4" OD tip. Labeled. 6/master



75-004 Tractor, 8 quart capacity, 12" total height, 9-1/2" diameter, 1" OD tip with screen. Labeled. 6/master



75-008 Lock-on tractor, 8 quart capacity, 11-1/2" total height, 10" diameter, 1-1/4" OD tip with screen and tabs. Labeled. 6/master



75-017 7 pint capacity, 8-3/4" total height, 9-3/4" diameter, 7/8" OD tip. Labeled. 12/master

GALVANIZED STEEL UTILITY FUNNELS

Lightweight, general purpose steel funnels. Capacity indicates what the funnel will hold when the outlet is blocked.



75-009 10 oz. capacity, 5-1/2" total height, 4-1/2" diameter, 1/2" OD tip. Labeled. 12/master

75-010 24 oz. capacity, 6-1/2" total height, 5-3/4" diameter, 1/2" OD tip. Labeled. 12/master

75-011 32 oz. capacity, 7-1/2" total height, 6-1/2" diameter, 5/8" OD tip. Labeled. 12/master

75-012 56 oz. capacity, 9" total height, 8" diameter, 5/8" OD tip. Labeled. 12/master

FUNNEL FILLERS

TRANSMISSION FUNNELS

Rugged epoxy finish. Offset design, 2 quart capacity. 7" diameter. Includes fine mesh strainer screen.



75-005 With 2" length (1" OD) rigid tip. Labeled. 5/master



75-006 With 17" flexible metal extension and 5/8" OD tapered tip to fit transmission tubes, etc. 28" overall length. Labeled. 5/master



UTILITY FUNNEL

Ideal for transmission fluid. Galvanized steel. Includes screen and 12" flexible extension with taper tip. Tip 5/8" OD.

75-007 1 quart capacity, 5-3/4" diameter, 17-1/2" overall length. Labeled. 10/master



UTILITY FUNNEL

Complete with a 13" flexible neoprene hose. 1/2" OD tip.

75-101 1/2 pint capacity, 4-1/2" diameter, 17" overall length. Labeled. 10/master

PLASTIC FUNNELS

ECONOMY PLASTIC FUNNELS

Durable, oil and gasoline resistant plastic. Safe for all petroleum products, complete with handy storage hanging tabs. Capacity indicates what the funnel will hold when the outlet is blocked.



75-060 8 oz. capacity, 5" total height, 4-1/2" diameter, 1/2" OD tip. Labeled. 20/master



75-062 16 oz capacity, 5-1/2" total height, 6" diameter, 7/8" OD tip. Labeled. 24/master



75-064 48 oz. capacity, 7" total height, 8" diameter, 3/4" OD tip. Labeled. 24/master



LONG NECK PLASTIC FUNNEL

All-purpose utility funnel. Extra long neck to reach out-of-the-way spots.

75-068 2 quart capacity, 18" overall length, 5" diameter, 5/8" OD tip. Labeled. 12/master

PLASTIC FUNNELS

POLYETHYLENE PLASTIC FUNNELS

Rugged, corrosion-resistant, all-purpose funnels. Complete with fine mesh straining screen and handy hanging tab. Capacity indicates what the funnel will hold when the outlet is blocked.



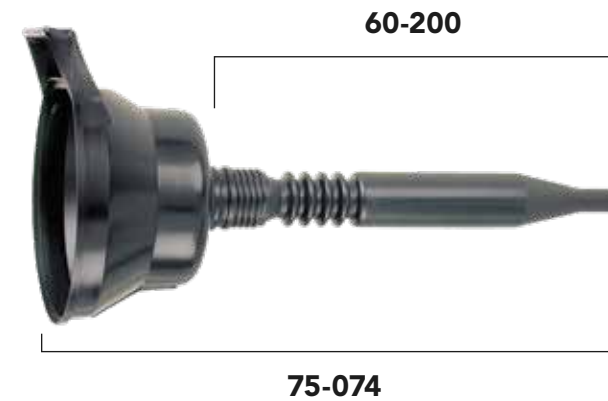
75-069 1 pint capacity, 5.1" total height, 5.5" diameter, 1" OD tip. Labeled. 10/master



75-070 2 quart capacity, 9" total height, 7" diameter, 1" OD tip. Labeled. 10/master



75-072 6 quart capacity, 11" total height, 9" diameter, 1-1/2" OD tip. Labeled. 5/master



2-PIECE FUNNEL WITH FLEXIBLE SPOUT

A multi-purpose 2-piece funnel with 12" detachable flexible spout. The funnel includes an easy-grip handle.

75-074 15" overall length, 6" diameter with 3/4" OD tip. Labeled. 12/master

60-200 Spout only. 2 thread sizes to fit most containers. Labeled. Bulk. 10/box



3-PIECE FUNNEL SET

75-075 Includes 1/2 pint, 1 pint, 2 pint plastic funnels. Labeled. 12/master

MEASURERS / FILLERS

GALVANIZED MEASURERS

Deluxe measurers with spill-resistant tops. Flexible spouts for ease of pouring. Rolled edge, easy-grip handles. Calibrated fill line. 1/2" OD tip.



75-441 1 quart capacity, 6-1/2" overall height. Labeled. 6/master



75-442 2 quart capacity, 9-1/2" overall height. Labeled. 6/master



75-444 4 quart capacity, 11" overall height. Labeled. 6/master

PLASTIC MEASURES

Marked in quarts and liters. Easy-grip handle. Rigid spout is angled for ease of pouring.



75-452 2 quart capacity, 1" OD spout. Labeled. 10/master



75-454 4 quart capacity, 1" OD spout. Labeled. 10/master



75-456 6 quart capacity, 1-1/4" OD spout. Labeled. 10/master

PAINTED MEASURES

With flexible spouts. Designed for one-hand operation. Thumb operated valve controls flow; flip action locks valve open. 14" flexible metal spout with tapered 1/2" OD tip swings into the necessary angle for hard-to-reach jobs. Recessed bottoms drain fully and guard against puncture. Rolled edge top helps prevent oil spillage.



75-662 2 quart capacity. 8" overall height. Labeled. Boxed. 1/master



75-664 4 quart capacity. 9-1/2" overall height. Labeled. Boxed. 1/master



75-665 5 quart capacity. 9-1/2" overall height. Labeled. Boxed. 1/master



75-668 8 quart capacity. 11-1/2" overall height. Labeled. Boxed. 1/master

RADIATOR / BATTERY FILLERS



RADIATOR FILLER

75-025 3 gallon capacity. Impervious to oil, gasoline and antifreeze. Labeled. 4/master



AUTOMATIC BATTERY FILLER

75-030 2 quart capacity. Shuts off automatically when battery cell is at proper level. Labeled. 10/master



BATTERY FILLER

75-033 6 ounce capacity. Ideal for all fluids including battery acid. Bagged. 10/master

99-038 Spout tip replacement. Bulk. 25/box

GALVANIZED CONTAINERS



RADIATOR DRAIN PAN

Heavy duty galvanized steel. Pouring with anti-splash baffle prevents spilling. Rolled smooth edge and ribbed bottom for heavy duty strength. Includes handles.

75-750 8 gallon capacity, 19" diameter x 7.25" high. Labeled. 2/master



UTILITY DRAIN PAN

Seamless, full drawn galvanized steel. Rolled rim and ribbed bottom for extra strength.

75-751 3-1/2 gallon capacity, 16" diameter x 4" high. Labeled. 12/master



DRIP PAN

Rugged galvanized sheet metal construction. Rust-resistant. Protects driveways, garage or automotive show room floors from fluid drippings. Rolled edges for extra strength.

75-755 17-1/2" x 25-3/4" x 1" high. Labeled. 10/master



WATER PAIL

Made of rust-resistant galvanized sheet metal.

75-825 12 quart capacity, 11" diameter x 9-1/2" high. Labeled. 6/master

PLASTIC CONTAINERS



20 GALLON TIRE AND TUBE TEST TANK

Rugged high density polyethylene plastic construction. Large enough to handle passenger car and light duty truck tires. Lip doubles as a splash guard and easy carrying handle. Tire punctures are easy to spot against black plastic tank.

75-754 31" x 12" x 12" size. Labeled. 1/master



SMALL PLASTIC DRAIN PAN

With pouring lip. Will not rust, dent or scratch, easy cleaning.

75-760 6 quart capacity, 12" diameter x 4" high. Labeled. 10/master



LARGE PLASTIC DRAIN PAN

Tough polyethylene construction that won't rust, dent or scratch. Pouring spout and handle allow for easy, spill-free pouring. Rolled edge cuts down on splash, makes for ease of carrying while full. Easy to clean.

75-762 4 gallon capacity, 18" diameter x 5-1/2" high. Labeled. 4/master



15 QUART DRAIN PAN WITH LID

This enclosed drain pan helps make oil changes mess free. The ample 8" opening and screen catch anything aimed in its direction. Seal-able top and wheels make clean up and removal a breeze.

75-764 15 quart capacity. 18" x 16" x 6" size. Labeled. 4/master

LIFT DRAINS & ACCESSORIES



16 GALLON LIFT DRAIN

For use with 16 gallon/120 lb. open head drums (drum not included). Includes telescopic funnel and tube (adjusts from 40-1/2" to 60"), float assembly, drum cover assembly and heavy duty castor base.

75-835 16 gallon capacity. Boxed. 1/master



8 GALLON LIFT DRAIN

Sturdy plastic lift drain equipped with wheels, metal drain tube and drain pan with screen. Tube height adjusts to 48" or 63".

75-850 8 gallon capacity. Boxed. 1/master

75-853 Replacement tube and funnel assembly. Boxed. 1/master

75-853



75-836

TRANSMISSION PAN ADAPTER

75-836 For lift drains. Heavy duty, high density polyethylene. Small diameter drain holes in bottom of pan prevent loss of pan bolts. Fits all LubriMatic® and other popular lift drains. Labeled. 6/master

5 GALLON LIFT DRAIN

Telescopic tube adjusts to desired height from 40-1/2" to 60" with 13-1/2" diameter funnel. Comes complete with heavy duty 5 gallon steel container, telescopic tube and sturdy funnel.

75-837 5 gallon capacity. Boxed. 1/master

Replacement Parts:

75-837-02 Replacement tube and funnel assembly. Boxed. 1/master

75-837-02

75-837

LIFT DRAIN DOLLY

Heavy steel construction with baked enamel finish, ball bearing type swivel casters. All hardware included.

75-838 Cross frame style lift drain dolly which fits the LubriMatic® 75-837 lift drain. Boxed. 1/master

75-838

LUBRIMATIC® GREASES & OILS

For more than 40 years, LubriMatic® has been developing and distributing superior lubrication products. LubriMatic® serves the industrial, hardware, marine, automotive and agricultural markets, as well as many industries requiring professional grade lubricants and penetrants.

GREASE

MULTI-PURPOSE LITHIUM GREASE (LB)



Long lasting, hard working formula delivers high performance in a wide range of heavy-duty applications. Recommended for chassis, universal joints and other general purpose applications around the home, farm or shop. Works best for lubricating rolling parts. NLGI #2, drop point 350°F.

- 11312** 3-pack of 3 oz. cartridges. 12/master
- 11315** 14 oz. cartridge. 10/master
- 11316** 16 oz. (1 lb.) can. 12/master
- 11328** (not shown) 35 lb. drum

DISC/DRUM BRAKE WHEEL BEARING GREASE (GC-LB)



Meets high temperature requirements of all disc and drum brakes and similar applications. Polyurea base. NLGI #2, drop point 520°F.

- 11380** 16 oz. (1 lb.) can. 12/master
- 11382** 4 lb. tub w/easy-to-carry handle. 6/master
- 11465** 14 oz. cartridge. 10/master

SYNTHETIC BRAKE CALIPER GREASE (GC-LB)



Our Synthetic Brake Caliper Grease is a 100% synthetic lithium complex lubricant. It delivers excellent performance in both high and low temperature applications. NLGI #2, drop point 500°F.

- 11752** 16 oz. (1 lb.) can. 12/master

LMX® THE "RED" GREASE (GC-LB)



Industrial and agricultural lithium complex formula. Ideal under temperature and pressure extremes, shock loads and high wear situations. Superior adhesion to bearing and moving parts. Highly water insoluble. NLGI #2, drop point 500°F.

- 11390** 14 oz. cartridge. 10/master
- 11391** (not shown) 35 lb. drum

WHITE LITHIUM GREASE



Includes zinc additive for a clean, white color. Ideal for general home, shop, automotive, agricultural and industrial applications. Contains no silicons and can be used on plastic components NLGI #2, drop point 350°.

- 11350** 16 oz. (1 lb.) can 12/master
- 11354** 14 oz. cartridge. 10/master
- 11355** (not shown) 35 lb. drum
- 11356** (not shown) 120 lb. drum
- 11357** 4-pack of 3 oz. cartridges. 12/master
- 11363** 12 oz. aerosol. 12/master

CORROSION CONTROL[®] MARINE GREASE (GC-LB)

Special calcium sulfonate complex. water insoluble formula ideal for marine applications. Provides excellent corrosion protection under severe conditions caused by salt water and air. Use on wheel bearings (includes disc brake wheel bearings), swivel hinges, pins, winches and anchor chain reels. NGLI #2, drop point 550°F.



11399 3 oz. cartridge 2-pack. 10/master

11400 3 oz. cartridge 4-pack. 10/master (not shown)

11402 14 oz. cartridge. 10/master

11404 16 oz. (1 lb.) can. 12/master

11406 8 oz. tube. 12/master

11407 35 lb. drum (not shown)

11408 120 lb. drum (not shown)

11409 400 lb. drum. (not shown)

MOLY EP GREASE (GC-LB)



Addition of molybdenum disulfide to lithium-based grease makes this lubricant especially effective for sliding motions, such as sleeve journal rotating shafts and ball joints. Contains extreme pressure (EP) additives to reduce scuffing, scoring and seizure with high loads. NLGI #2, drop point 500°F. Contains 3% molybdenum.

11335 14 oz. cartridge. 10/master

SPECIALTY GREASES



DIELECTRIC GREASE

Protects electrical connections from corrosion. Water-resistant, synthetic formulation sheds moisture and doesn't wash away. NLGI #2.

NOTE: Does not conduct electricity

11755 2 oz. tube. 12/master



OPEN GEAR & WIRE ROPE SPRAY LUBE

Reduces wear, withstands extreme pressure.

Will not wash or weather away.

11473 11.25 oz. aerosol can. 12/master



CHAIN & CABLE LUBRICANT

Graphite molybdenum formula reduces wear and increases chain life.

11474 12 oz. aerosol can. 12/master



PLEWS[®] MULTI-PURPOSE LITHIUM GREASE

Special economy blend for general purpose use. NLGI #1-1/2, drop point 325°F.

11309 16 oz. (1 lb.) can. 12/master

11310 14 oz. cartridge. 10/master



MOTOR ASSEMBLY GREASE

A quality white lithium grease with exceptional consistency. Perfect for all engine rebuilding, metal-to-metal and electrical connection applications. NLGI #1, drop point 350°F.

11395 8 oz. tube. 12/master

OIL

TC-W3[®] 2-CYCLE OIL



TC-W3 meets the specified requirements of all foreign and domestic 2-cycle outboard manufacturers. Our ashless TC-W3 is formulated from ultra-clean base stock oil to provide superior protection against piston scuffing, bearing wear, spark plug fouling, pre-ignition and rust. This formulation has outstanding lubricity and miscibility for better mixing of fuel and oil, resulting in a cleaner running engine. Contains no phosphorus. Will not void manufactures' warranties!

TC-W3[®] OUTBOARD MOTOR OIL

11590 16 oz. bottle. 12/master

11591 14 oz. bottle. 10/master

11592 1 gallon container. 6/master



POWER PRO[™] SYNTHETIC BLEND 80W/90 GEAR LUBE

A synthetic blend gear lube that protects high performance lower units in extreme operating conditions. Highly recommended for all engines over 100 hp. Meets or exceeds API MT-1 and GL-5 ratings. Will not void manufactures' warranties.

11564 quart bottle. 12/master

11565 (not shown) 5 gallon drum



HIGH VISCOSITY 80W/90 GEAR LUBE

Ideal for modern outboard and stern drive lower units. Meets or exceeds API MT-1 and GL-5 ratings. Will not void manufactures' warranties.

11540 10 oz. tube. 12/master

11546 (not shown) 5 gallon drum

11552 Quart bottle. 12/master



HYPOID 90 GEAR LUBE

For mechanical shift outboards and stern drives. Meets U.S. Military Spec MIL-PRF-2105E and API MT-1 and GL-5 ratings. Will not void manufactures' warranties.

11556 Quart bottle. 12/master



POWER TRIM AND TILT FLUID

Formulated to provide viscosity and lubricity necessary to ensure proper pump performance and seal life. Combats high operating pressures and resists rust. Anti-foam and extreme pressure additives ensure excellent stability and shear resistance.

11578 10 oz. tube. 12/master

MARINE LOWER UNIT KITS



MARINE LOWER UNIT LUBE KIT

Includes one quart of High Viscosity Lower Unit Gear Lube (11552), and one Lower Unit Quart Pump (55-005), with 3/8"-16 Filler Fitting for Mercury, Mercruiser, OMC, Evinrude, Johnson, Volvo, Force, Gamefisher and Honda (70 hp and up) outboard engines.

11246 Clamshell. 6/master



MARINE LOWER UNIT FILL KIT

Kits includes two 10 oz. tubes of High Viscosity Lower Unit Gear Lube (11540) and one filler tube for Mercruiser, OMC, Evinrude, Johnson, Volvo, Force and Gamefisher models.

11101 Clamshell. 6/master

LAWN & GARDEN OIL



POWER LAWN MOWER 4-CYCLE OIL

Perfect for any 4-cycle air cooled engine such as those in lawn mowers, tillers, garden tractors and snow throwers. SAE30.

11531 20 oz. bottle. 12/master



CHAIN SAW BAR AND CHAIN OIL

Formulated to extend chain, bar and sprocket life. Protects against rust and corrosion with minimum "throw off" at high chain speeds. Resists thinning and freezing caused by temperate extremes.

11532 Quart bottle. 12/master

2-CYCLE OIL



EZ 2-CYCLE OIL

No guessing with this handy oil. One bottle treats one gallon of gas, works in any ratio from 16:1 to 50:1.

11524 3.2 oz bottle. 48/master



2-CYCLE ENGINE OIL

Formulated to improve performance, extend engine life and reduce plug fouling. Provides excellent wear protection and high temperature performance. Recommended for chain saws, trimmers, motorcycles, snow blowers, mowers and other air cooled 2-cycle engines.

11525 8 oz. bottle. 24/master

11527 Quart bottle. 12/master



TC-W3® 2-CYCLE SNOWMOBILE OIL

Formulated for use in snowmobiles and other 2 cycle oil injection cold weather equipment requiring ashless TC-W3 oil. Excellent performance down to -40°.

11462 Quart bottle. 12/master

GEAR LUBE



SAE 80W/90EP

Premium blend contains extreme pressure additives to provide heavy-duty protection. Recommended for automotive, tractor, truck and industrial applications such as manual transmissions, differentials or other gear boxes which require heavy-duty multi-purpose lubricant. Meets API MT-1, GL-5, MIL-PRF-2105E, SAEJ2360 and Mack GO-G/H/J specifications.

11500 Quart bottle. 12/master

11507 Gallon container. 6/master



SAE 85W/140 EP

Formulated with EP additives to exceed most extreme performance requirements. Withstands severe shock, high torque loads and wide temperature variations. Meets API MT-1, GL-5, MIL-PRF-2105E, SAEJ2360 and Mack GO-G/H/J specifications.

11505 Quart bottle. 12/master

SPECIALTY OILS



FOGGING OIL

Protects internal components of 2 and 4-cycle engines from rust, corrosion or seizing during seasonal storage.

11412 9.75 aerosol can. 12/master

REFERENCE GUIDES

QUICK REFERENCE GREASE CHART

This chart indicates general specifications and application of petroleum-based greases available from LubriMatic®. Please contact our customer service department or representative for further details.

LUBRIMATIC® GREASE	GRADE	DROP POINT	WATER WASHOUT	4 BALL WELD (KGF)	4 BALL SCAR (MM)	TIMKEN OK LOAD	BASE (SOAP/THICKENER)	TEXTURE	COLOR
DISC/DRUM WHEEL BEARING GREASE	2	520°F	EXCELLENT	500	<0.6	50	POLYUREA	SMOOTH	BLUE
DIELECTRIC GREASE	2	NONE	OUTSTANDING	N/A	N/A	N/A	SYNTHETIC	BUTTERY	AMBER
LMX® THE "RED" GREASE	2	500°F	EXCELLENT	315	0.6	45	LITHIUM COMPLEX	TACKY	RED
CORROSION CONTROL MARINE GREASE	2	550°F	OUTSTANDING	620	0.45	65	CALCIUM SULFONATE	SMOOTH	GREEN
MOLY EP GREASE	2	500°F	EXCELLENT	350	0.4	45	LITHIUM COMPLEX	SMOOTH	GRAY
MOTOR ASSEMBLY WHITE GREASE	1	350°F	GOOD	250	0.6	N/A	LITHIUM 12-HYD. STEARATE	SMOOTH	OFF WHITE
MULTI-PURPOSE LITHIUM GREASE	2	350°F	VERY GOOD	N/A	<0.6	30	LITHIUM 12-HYD. STEARATE	SMOOTH	GRAY-BLACK
SYNTHETIC BRAKE CALIPER GREASE	2	500°F	EXCELLENT	315	0.55	40	LITHIUM COMPLEX	SMOOTH	BLUE
WHITE LITHIUM GREASE	2	350°F	VERY GOOD	250	0.6	35	LITHIUM 12-HYD. STEARATE	SMOOTH	OFF WHITE

GREASE COMPATIBILITY CHART

RELATIVE COMPATIBILITY RATING

- C** = COMPATIBLE
- N** = NOT RECOMMENDED
- I** = INCOMPATIBLE

It is important to determine compatibility prior to mixing greases of different base types. Incompatible greases can cause adverse chemical reactions, resulting in rust, pitting, scoring of metal, and breakdown of the grease's ability to lubricate.

THICKENER OR SOAP TYPE	ALUMINUM COMPLEX	BARIUM COMPLEX	CALCIUM STEARATE	CALCIUM 12-HYDROXY	CALCIUM COMPLEX	CALCIUM SULFONATE COMPLEX	CLAY (NON-SOAP)	LITHIUM STEARATE	LITHIUM 12-HYDROXY	LITHIUM COMPLEX	POLYUREA (CONVEN. 1ST GEN.)	LUBRIMATIC® TYPE.)
ALUMINUM COMPLEX	N	I	I	C	I	N	I	I	I	C	I	I
BARIUM COMPLEX	I	-	I	C	I	C	I	I	I	I	I	N
CALCIUM STEARATE	I	I	-	C	I	C	C	C	N	C	I	C
CALCIUM 12-HYDROXY	C	C	C	-	N	N	C	C	C	C	I	C
CALCIUM COMPLEX	I	I	I	N	-	I	I	I	I	C	C	C
CALCIUM SULFONATE COMPLEX	N	C	C	N	I	-	I	N	N	C	I	C
CLAY (NON-SOAP)	I	I	C	C	I	I	-	I	I	I	I	N
LITHIUM STEARATE	I	I	C	C	I	N	I	-	C	C	I	C
LITHIUM 12-HYDROXY	I	I	N	C	I	N	I	C	-	C	I	C
LITHIUM COMPLEX	C	I	C	C	C	C	I	C	C	-	I	C
POLYUREA (CONVEN. 1ST GEN.)	I	I	I	I	C	I	I	I	I	I	-	C
POLYUREA (LUBRIMATIC® TYPE)	C	N	C	C	C	C	N	C	C	C	C	-

