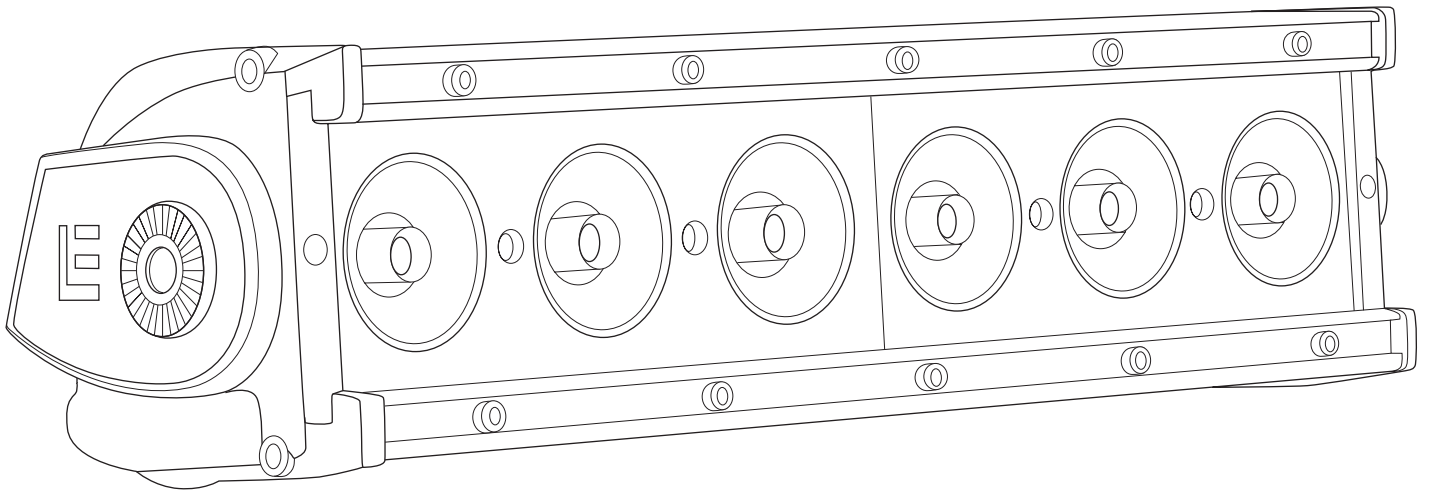


LUMEN

LED Light Bar Bracket

INSTALLATION INSTRUCTIONS

For LED Light Bar with Illuminated End Caps



LID-N130X-1-SP, LID-N130X-1-CM, LID-N130X-1-FL, LID-N160X-1-SP, LID-N160X-1-CM, LID-N160X-1-FL, LID-N1120-1-SP, LID-N1120-1-CM, LID-N1120-1-FL, LID-N1180-1-SP, LID-N1180-1-CM, LID-N1180-1-FL, LID-N1240-1-SP, LID-N1240-1-CM, LID-N1240-1-FL, LID-N1300-1-SP, LID-N1300-1-CM, LID-N1300-1-FL, LID-N218X-2-SP, LID-N218X-2-CM, LID-N218X-2-FL, LID-N236X-2-SP, LID-N236X-2-CM, LID-N236X-2-FL, LID-N254X-2-SP, LID-N254X-2-CM, LID-N254X-2-FL, LID-N2108-2-SP, LID-N2108-2-CM, LID-N2108-2-FL, LID-N2198-2-SP, LID-N2198-2-CM, LID-N2198-2-FL, LID-N2270-2-SP, LID-N2270-2-CM, LID-N2270-2-FL, LID-N2324-2-SP, LID-N2324-2-CM, LID-N2324-2-FL



 **Caution**

These instructions are not intended to take the place of good workshop practices and common sense. Improper repairs can lead to property damage or personal injury!

 **Tools and supplies needed:**

- Adjustable wrench or the following
 - 10mm wrench
 - 13mm wrench
 - 14mm wrench
- 5mm hex wrench

BRACKET POSITION: Bottom

Verify that you have the following, hardware as shown below:



Insert the 10mm screw into the u-bracket with the screw head in the bracket channel as shown.



Find the cutout in the bottom channel of the light bar and insert the u-bracket and bolt as shown (repeat as needed with additional brackets for your specific application).



Now add the bottom bracket to the assembly as shown and secure the bracket with washers and nuts.

NOTE: Loosening and tightening the nut(s) allows the bracket position to be adjusted from left to right and also will allow for adjustment of the beam angle of the light bar up and down.



Use the remaining hardware to mount the light bar on your vehicle.



BRACKET POSITION: Side

Verify that you have the following, hardware as shown below:



If no spacers are necessary, attach the brackets to each side of the light bar using the 5mm hex wrench, small bolts and washers. Bracket orientation can be changed based on preference.



If spacers are needed, use the longer screws that are included and make any necessary adjustments.



Use the remaining hardware to mount the light bar on your vehicle.

