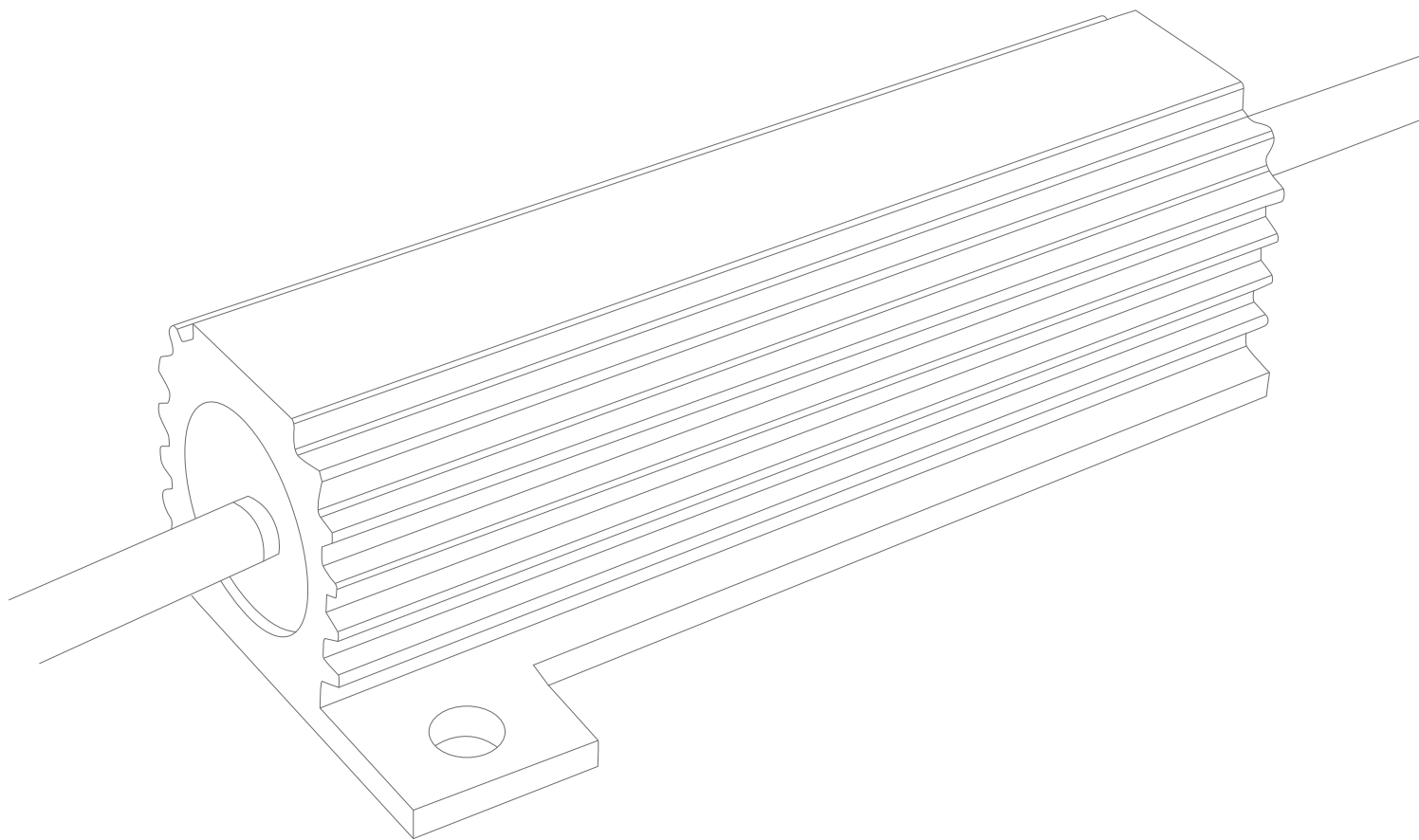


LUMEN

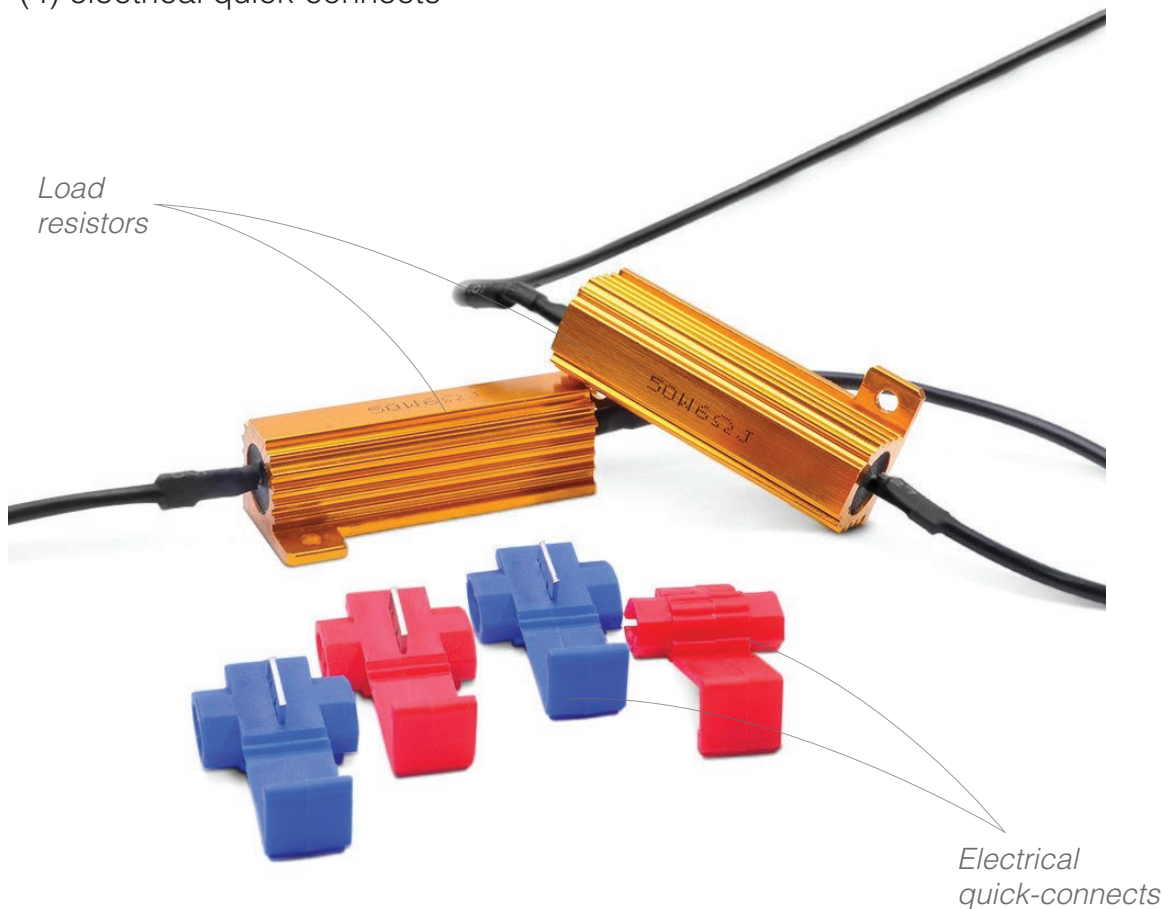
**LED Load Resistors**

# INSTALLATION INSTRUCTIONS



## Included in the kit:

- (2) load resistors
- (4) electrical quick-connects



## **Caution**

These instructions presume some automotive technical knowledge/repair experience. If you are unfamiliar with basic automotive repair, please seek professional installation assistance for this upgrade.

These instructions are not intended to take the place of good workshop practices and common sense. Improper repairs can lead to property damage or personal injury!

## **Tools and supplies needed:**

- Voltmeter or digital multimeter (DMM);
- Pliers;
- Electrical tape;
- Self-tapping screws and/or cable ties as needed.

You will need ONE load resistor for EACH light that is hyperflashing. Each kit contains two resistors. The resistor is installed in parallel (across the circuit), and not in series (end to end) in the light circuit.

The resistors can be used on an LED bulb, or an LED lamp assembly. In either case, make sure you are connecting to the specific wires for the bulb which is hyperflashing! If in doubt, use a voltmeter or DMM to check wires.

***Note! If the lights are turned on when checking, be sure to turn them off before installation.***

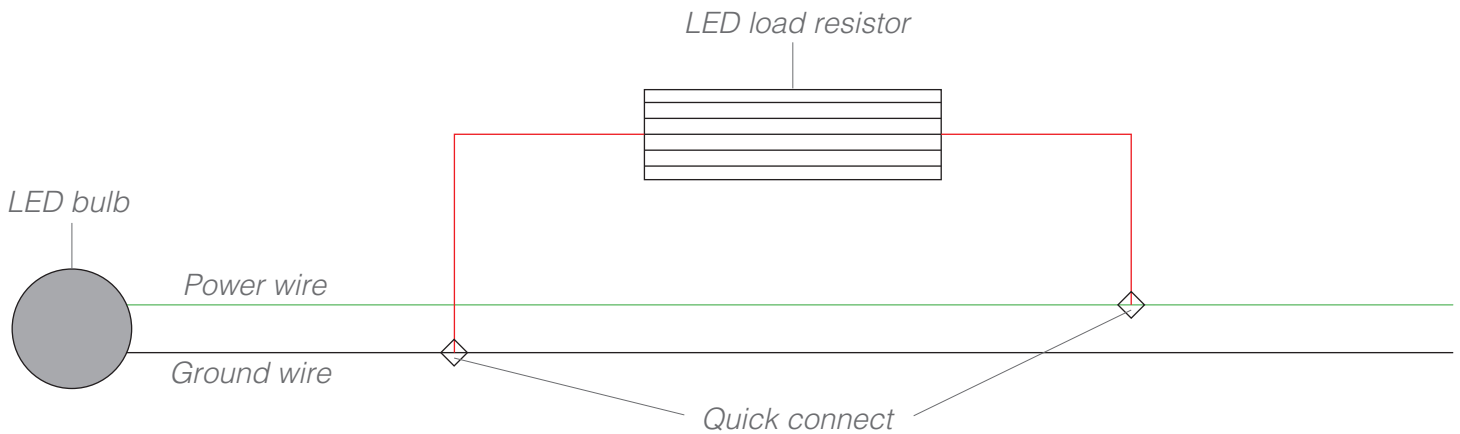
**STEP 1: With power off, locate the power and ground wires for the light to which the resistor will be connected**

- Do not cut the wires.
- Ensure that there is enough space for installation of the quick connects.

**STEP 2: Using the enclosed quick connects, connect one end of the resistor to the power wire, and the other end of the resistor to the ground wire. See diagram**

- The resistor can be installed in either direction. There is no concern about which end of the resistor is connected to power, and which to ground.
- Slip the quick connect onto the vehicle's wire first.
- Next, insert the end of the resistor wire into the quick connect.
- ***NOTE! There is no need to strip insulation from the wires.***
- Using pliers, push the quick connect blade down until it is flush with the surface.
- Close the cover on the quick connect.
- Use electrical tape to seal the connection.

When finished, the installation should look like this:



### STEP 3: Repeat installation on other side of vehicle

### STEP 4: Secure resistors in place

- **NOTE! The resistors get hot in use. Avoid locating them near wiring or near plastic, such as plastic light lenses or housings.**
- Each resistor has tabs to allow use of self-tapping screws (not included), which will provide the most secure installation.
- Alternately, you can use cable ties to secure the resistors.
- AVOID USING ELECTRIC TAPE, as the tape will soften from the heat of the resistor.