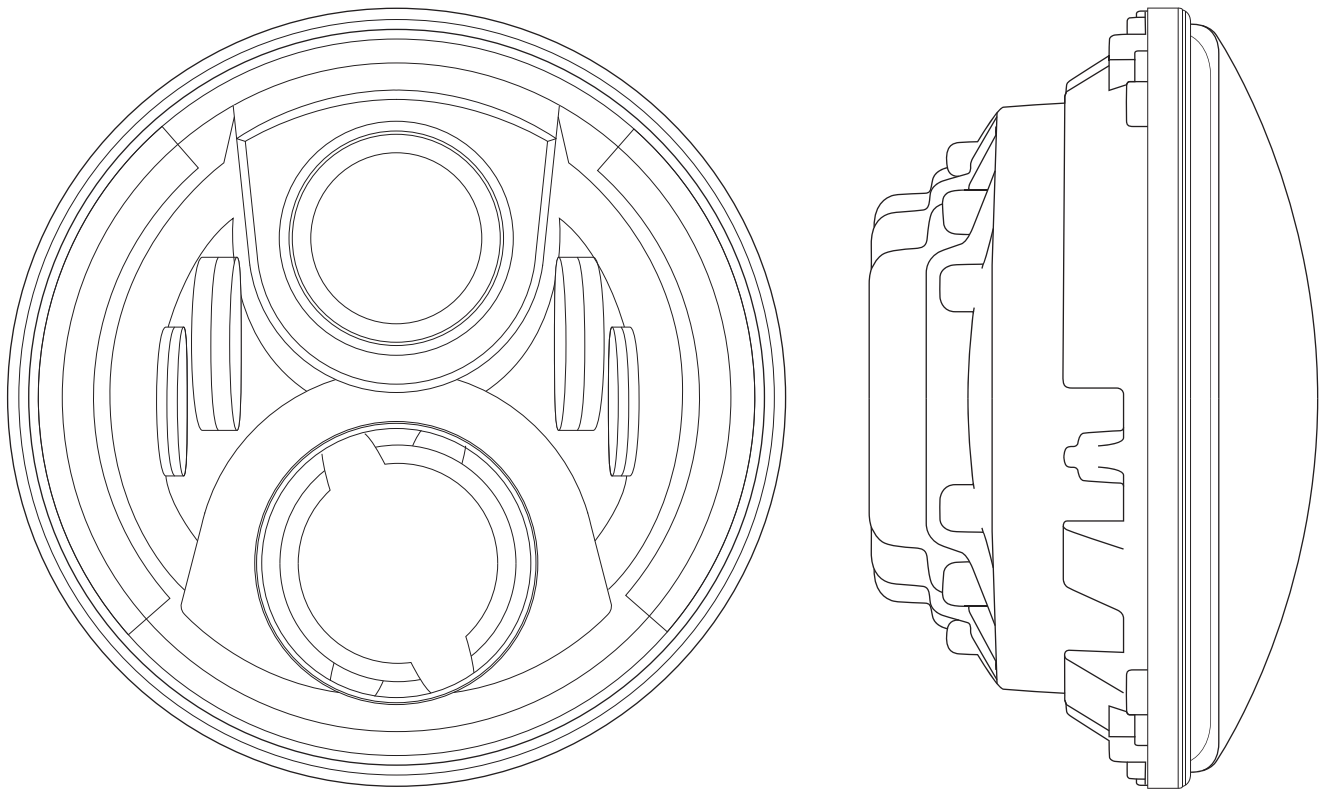


# LUMEN

**7" LED sealed beam headlamp**

# INSTALLATION INSTRUCTIONS

For 2007 and newer Jeep Wrangler JK





**These instructions may vary slightly among different model year Wranglers. They can also be used as general guidelines for any year and model vehicle.**

**⚠ Caution**

These instructions presume some automotive technical knowledge/repair experience. If you are unfamiliar with basic automotive repair, please seek professional installation assistance.

These instructions are not intended to take the place of good workshop practices and common sense. Improper repairs can lead to property damage or personal injury!

**🔧 Tools and supplies needed:**

- Assortment of flat, Philips, and Torx screwdrivers;
- Electric tape;
- Plastic cable ties.

**📦 In the box:**

**Verify that you have 2 of each of the following, as shown in photo on the following page:**

- 7" sealed beam headlamp;
- "LED Canbus" wire connector, with male 3-prong plug on one end and female 3-prong plug on other;
- Headlamp "Plug-n-play" wire connector, with female 3-prong plug on one end, and plug to match vehicle headlight connector on other end.

Headlamp assembly  
with integral plug



"LED Canbus"  
wire connector



Headlamp plug-n-play  
connector

## STEP 1: Removal of factory (existing) headlamps.

The Jeep headlamp removal requires that the grille be removed first.

- Ⓐ To remove the grille: open the hood; along the top of the grille where it meets the shroud, remove all the plastic clips.



*Circled are 3 of the clips to be taken out when removing the Jeep grille*



*Use philips and/or flat blade screwdrivers to remove clips (clip design may be differ on your vehicle)*

- Ⓑ Gently pull the top of the grille outward, away from the car. Reach down and release the parking lamp bulbs and holders, by turning them a quarter-turn. Keep them attached to the wire harness, and place them where they will not be damaged. (They can be left to hang in the opening between the bumper and the body of the Jeep).



*The parking light assembly has already been removed from its location in the grille*

- © The bottom of the grille is held in place by clips. Gently pull on the bottom of the grille until the clips disengage; remove the grille from the car and put aside in a safe place.



- © To remove the headlamps:

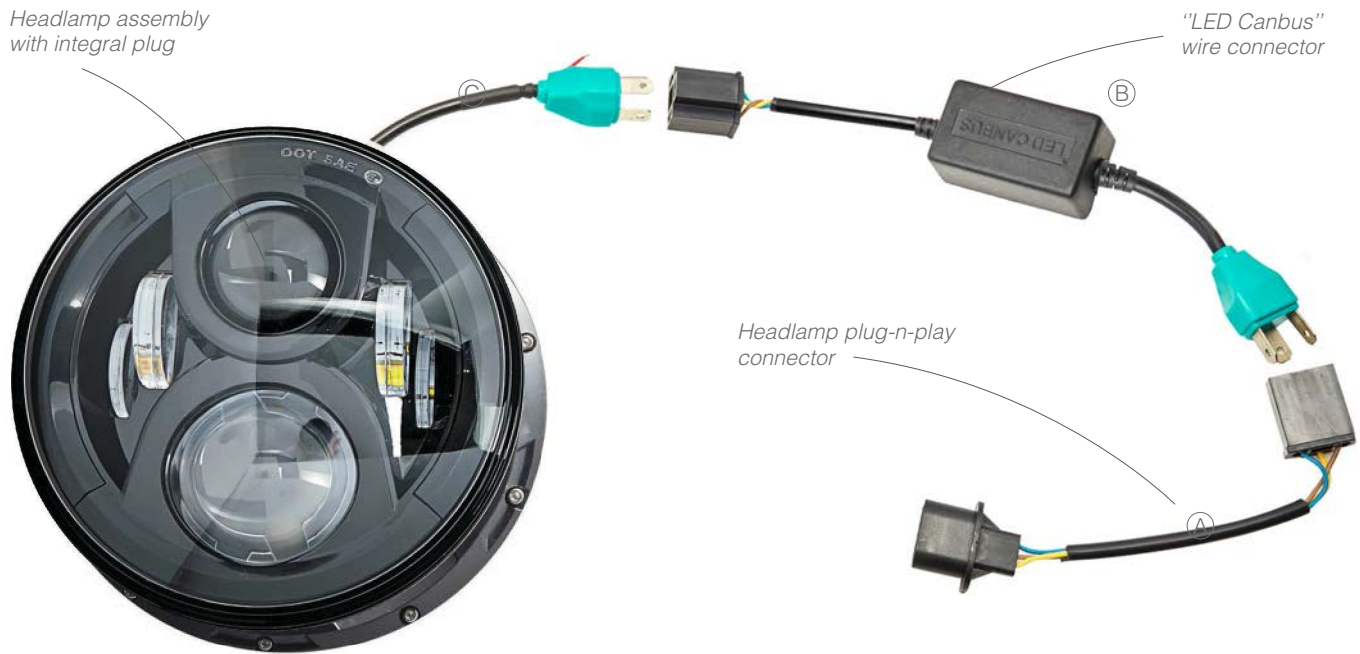
- a. Remove the metal bezel ring, which is held in place with 4 screws. Use a T-15 Torx bit/screwdriver.



*The headlamp bezel is held in place with 4 Torx screws. Note the parking lamp still attached (circled)*

- b. As the last screw is removed, hold onto the headlamp, as it could fall.  
c. Remove the bulb from the assembly with a ¼ turn, remove the headlamp assembly from the car and put it in a safe place. Unplug the factory harness from the bulb.

## STEP 2: Making the low beam/high beam headlamp electrical connections



- Ⓐ Working at one side of the car at a time, begin at the vehicle's factory headlamp harness. Take the headlamp plug-n-play connector from the LED headlight kit, and plug it into the factory connector.
- Ⓑ Take the kit's LED-Canbus wiring connector and plug its male end into the female end of the headlamp plug-n-play connector.
- Ⓒ Plug the female end of the LED-Canbus wiring connector into the plug on the LED headlamp assembly.
- Ⓓ Carefully route all wiring through the headlamp bezel opening. Take your time and do not force the wiring, there is ample room for all the wires. Use cable ties to neatly secure all wiring. Install the LED headlamp in place by reattaching the bezel ring.
- Ⓔ Repeat Steps A-D above for the other side.
- Ⓕ Test all lights: low beam / high beam
- Ⓖ Reinstall turn signal bulbs into grille.
- Ⓗ Reinstall grille onto vehicle.