

# LUMEN

## 7" Round Chrome LED Projector Headlights with Switchback Halo



CREE CHIP



LIGHT OUTPUT



FULLY WEATHER  
SEALED



CUSTOM DESIGN



WARRANTY



STREET LEGAL

# SPECIFICATION



## Available Colors

**Black, Chrome**

Part Number

**SB7150FA**

Size

**7" Round**

Low Beam

**2400lm, 60W, 2.5Amp@ 12V DC**

High Beam

**4000lm, 60W, 3.1Amp@ 12V DC**

Color temperature

**6500—7000K**

Voltage

**DC 10—30V**

Lifespan

**30 000 hours**

LED Chip

**Cree 10W**

Housing

**Die-cast Alumium**

Lens

**Hard coated polycarbonate**

Wiring Connector Type

**H4, H13**

Compatibility

**H6024, PAR56**

DRL mode

**Yes, Two Side Arcs**

Turn Signals

**Yes** (Switchback with DRLs)

Shock protection

**Yes**

Dust/Water Protection

**IP67**

Anti-Flicker

**Yes** (plug&play adapter included)

CANBUS compatible

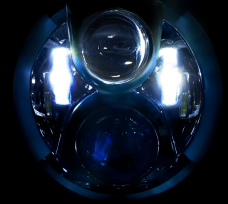
**Yes** (plug&play adapter included)

DOT-Compliance

**Yes** (Street Legal)

Warranty

**5 Years**



Low Beam On



High Beam On

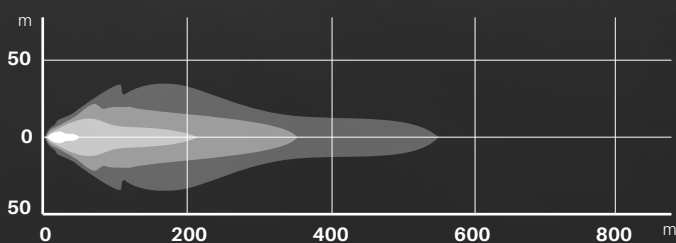


Halo Ring On

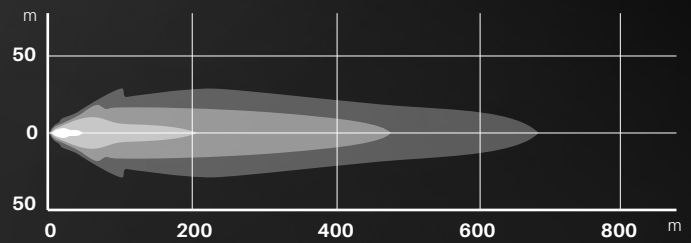


Switchback Halo On

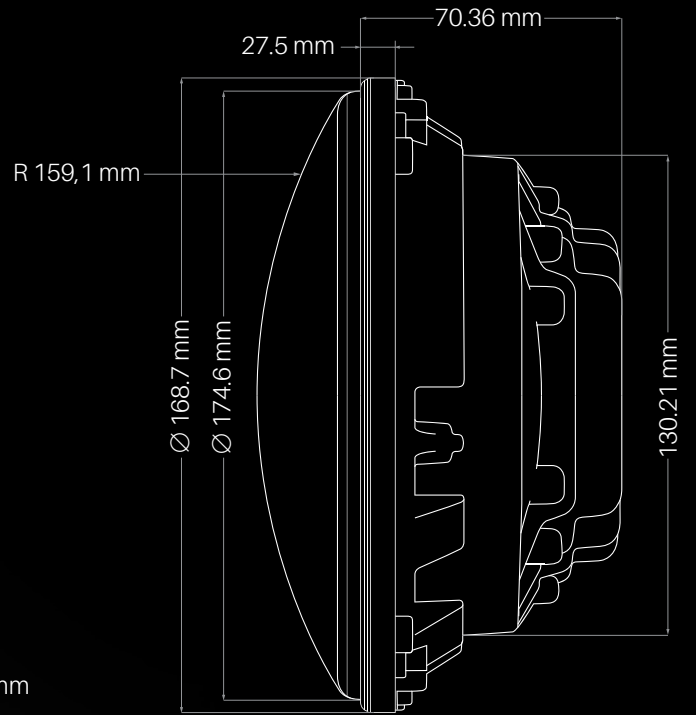
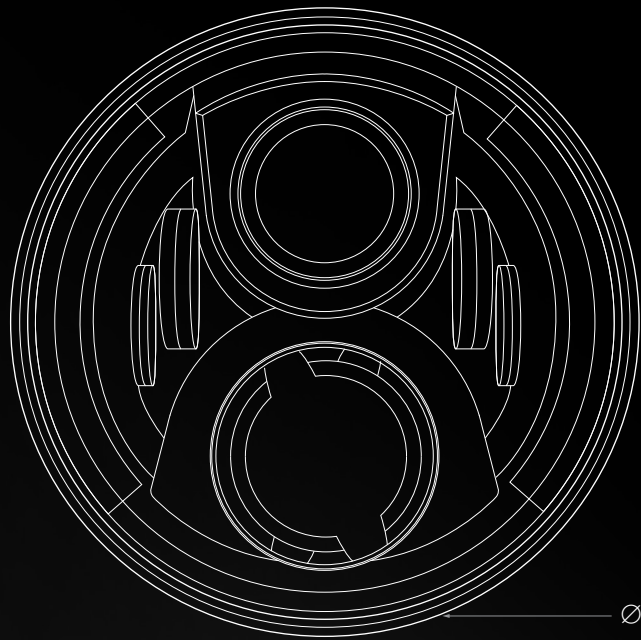
## Low Beam (1 m high at 0°)



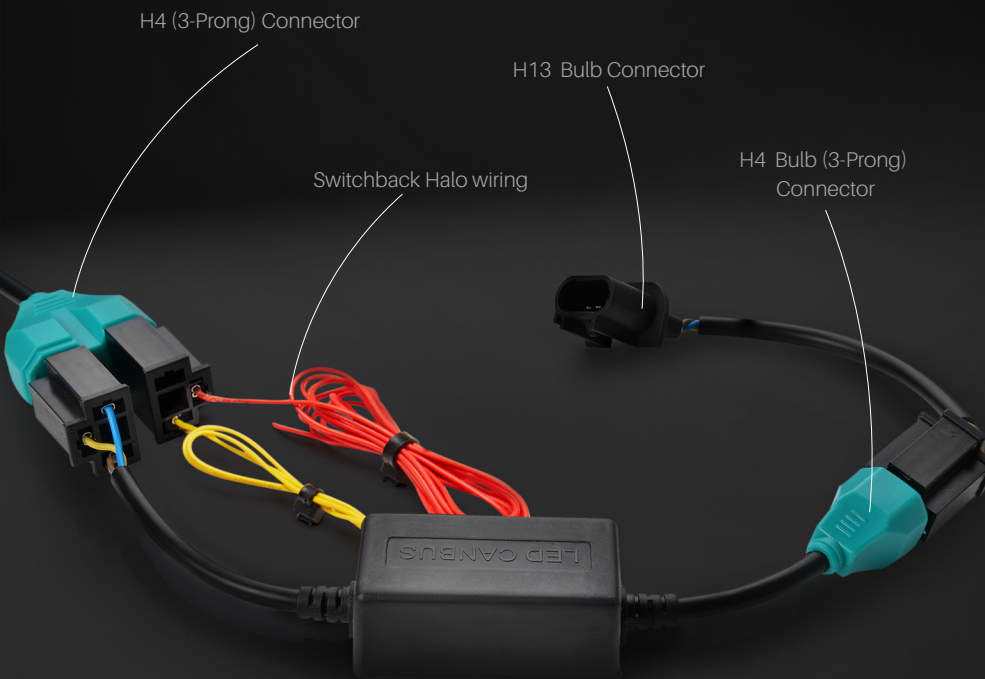
## High Beam (1 m high at 0°)



# PRODUCT DIMENSIONS



# WIRING CONNECTOR



Accept no compromises, choose only quality custom and factory headlights.