

Installation Instructions

I-Sheet Number 10356 Rev. C



Lund EZ Bracket™

For proper installation and best possible fit, please read all instructions BEFORE you begin. For technical

Important Safety Information

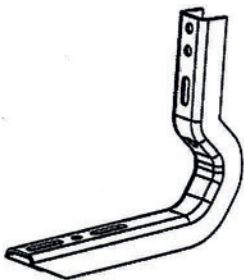
⚠️ WARNING

- To be used with Lund branded products only.
- Do not stand on Lund [running board](#) or bracket while vehicle is in motion.
- Do not exceed 350lbs. weight on the Lund EZ bracket system.
- Do not use the Lund EZ bracket system as a jacking point for vehicle.
- Do not use Lund EZ bracket system or running boards to fasten cargo.
- Periodically check all components for tightness.

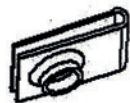
⚠️ CAUTION

- Be sure to wear safety glasses while installing Lund EZ bracket system.
- When using power tools read and understand all operating instructions.

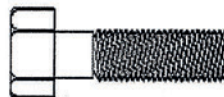
Contents



X4 kit # 300036
X6 kit # 300037
X6 kit # 300038



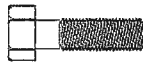
U-Nut
X6 kit # 300037-38
X4 kit # 300036



5/16"-18 x 1
X6 kit # 300037-38
X4 kit # 300036



Flat washer
X6 kit # 300037-38
X4 kit # 300036



1/4"-20 x 1
X6 kit # 300037-38
X4 kit # 300036



flat washer
X12 kit # 300037-38
X8 kit # 300036



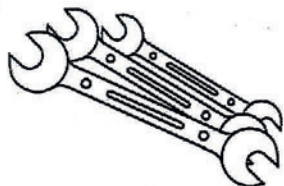
1/4"-20
X6 kit # 300037-38
X4 kit # 300036

Quantities noted are what is needed per kit. Extra fasteners may be provided.
Extra washers are provided for alignment and are only to be used if needed.

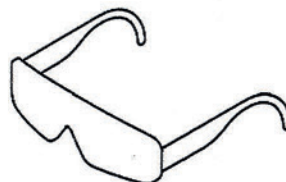
Tools Required



7/16" and 1/2" Socket



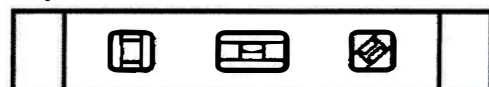
7/16 Wrench



Safety Glasses

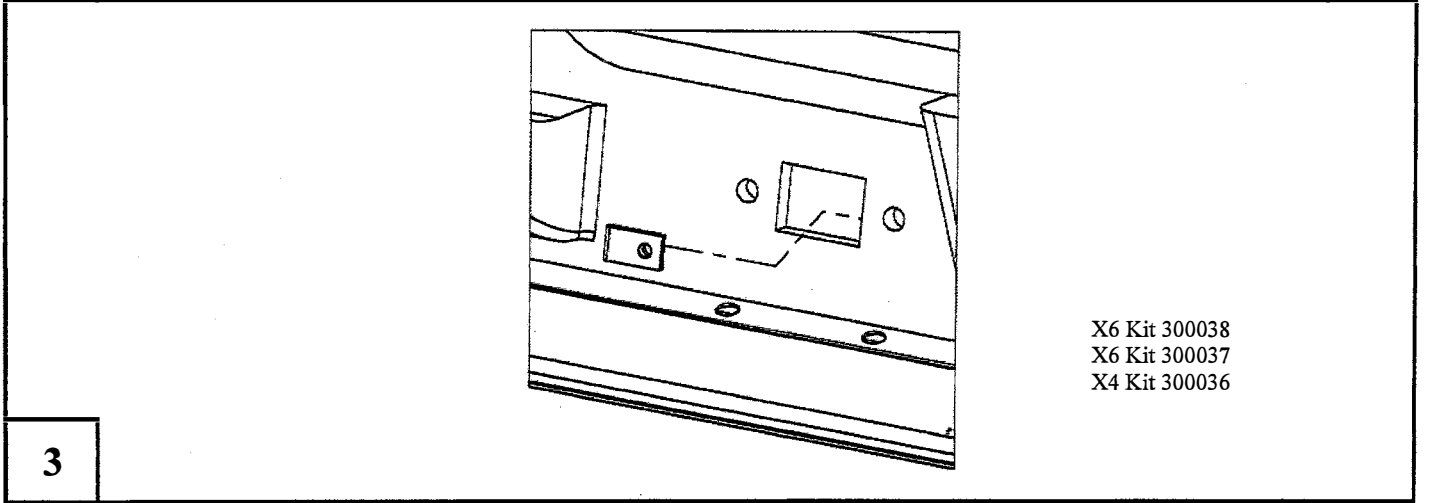
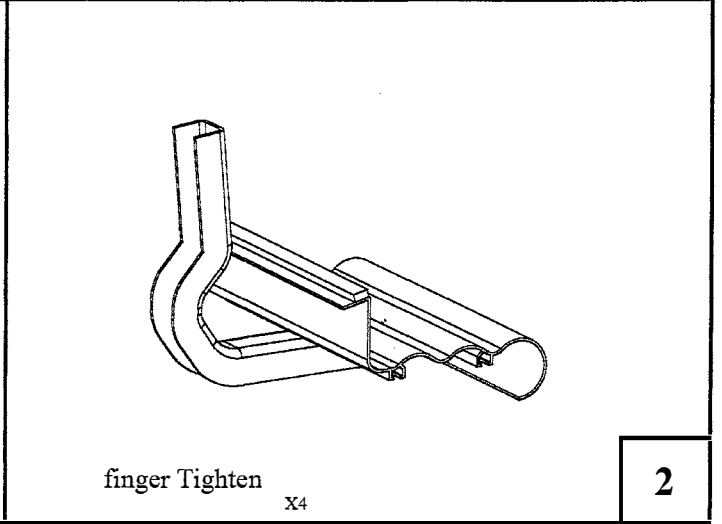
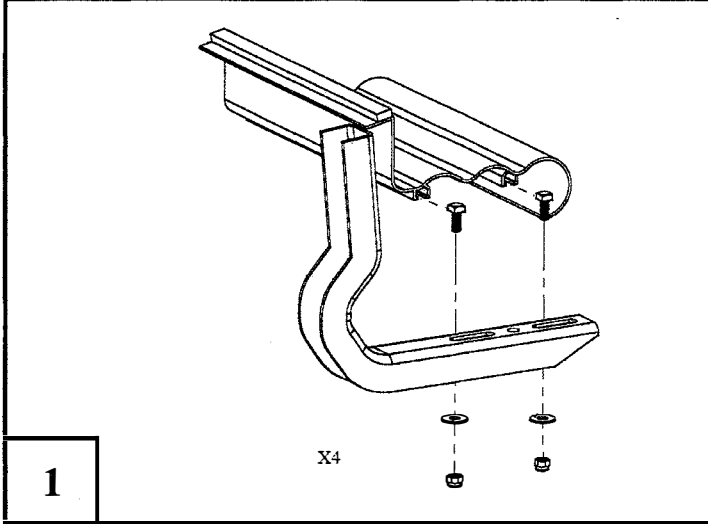


Ratchet

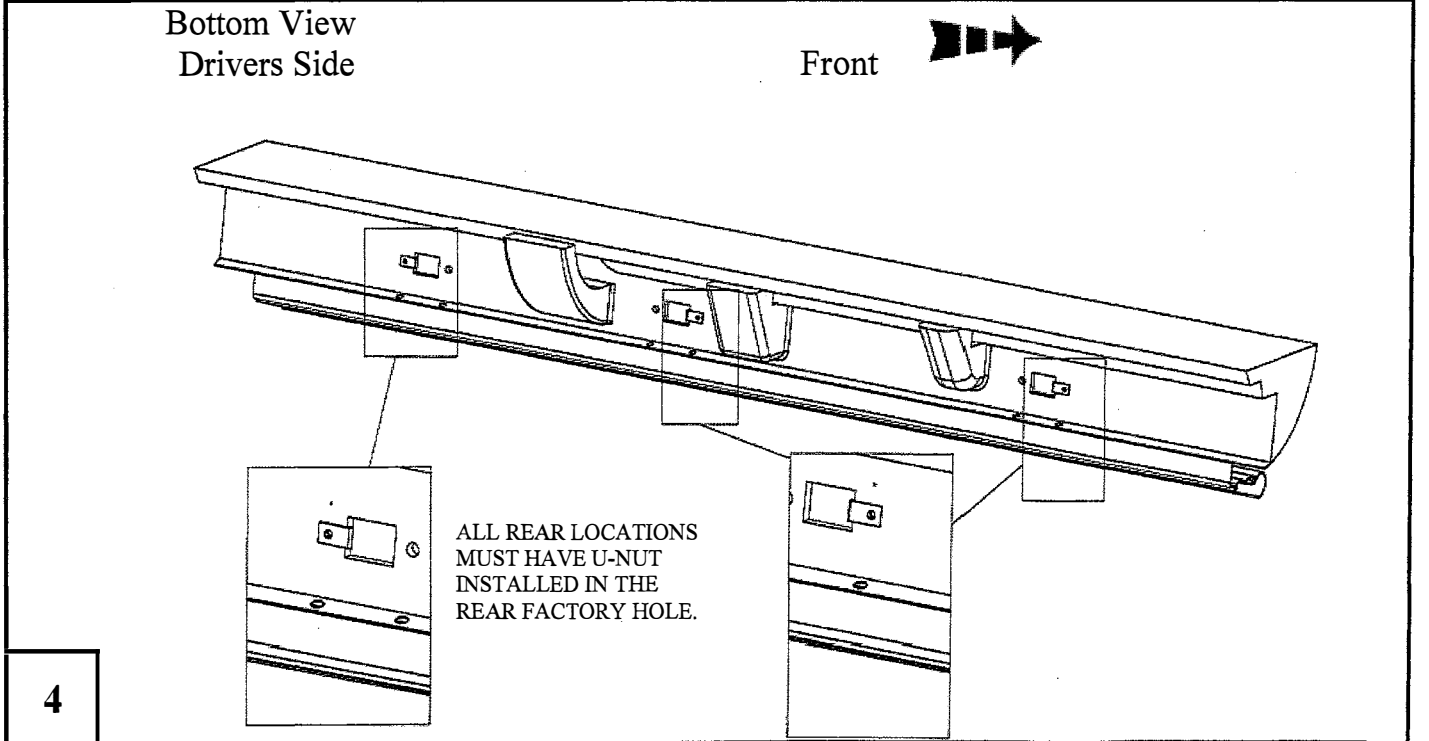


Level

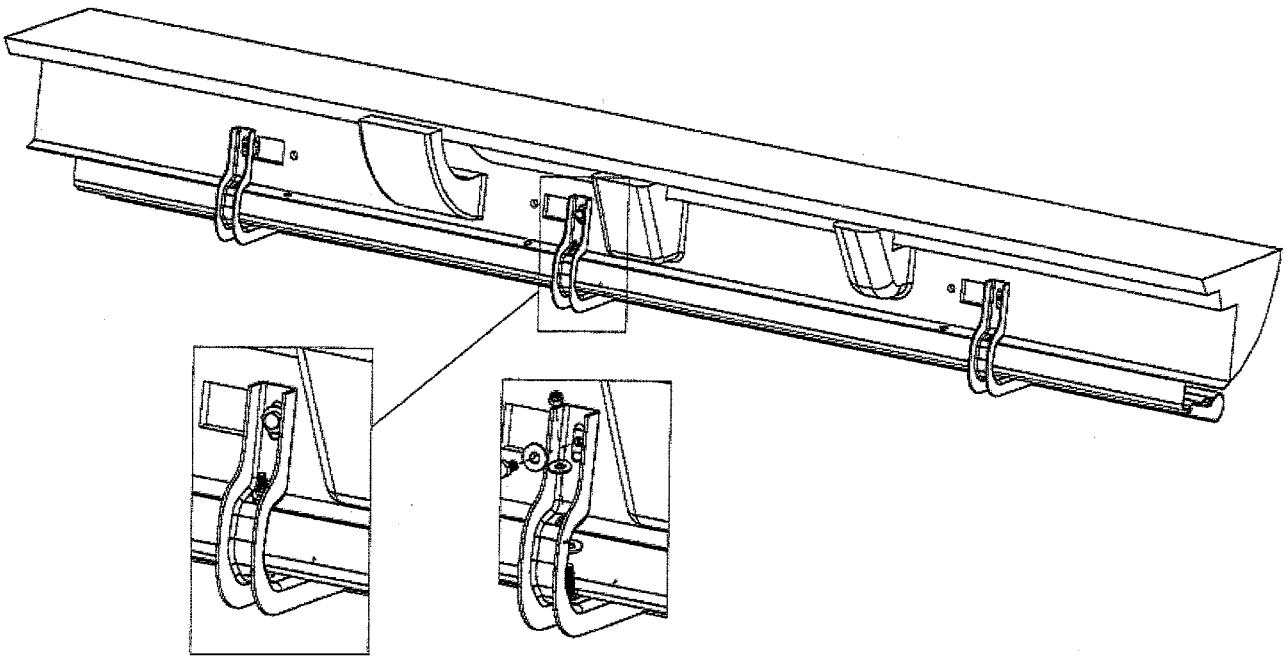
Installation Steps



X6 Kit 300038
X6 Kit 300037
X4 Kit 300036

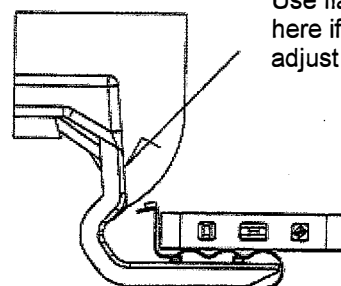
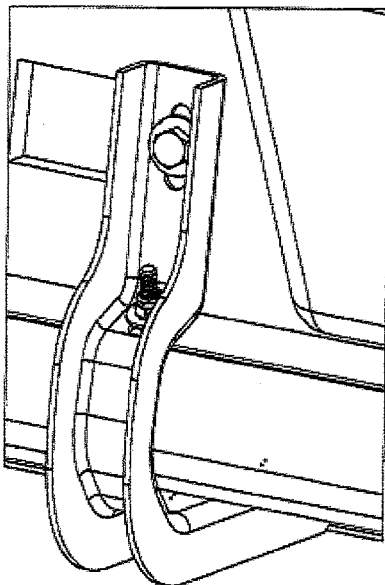
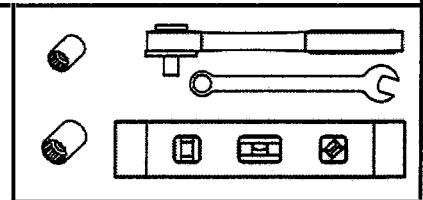


ALL REAR LOCATIONS
MUST HAVE U-NUT
INSTALLED IN THE
REAR FACTORY HOLE.



X3 Kit 300038
X3 Kit 300037
X2 Kit 300036

5



Use flat washers here if needed to adjust bracket.

6