

TOOL BOX ACCESSORY

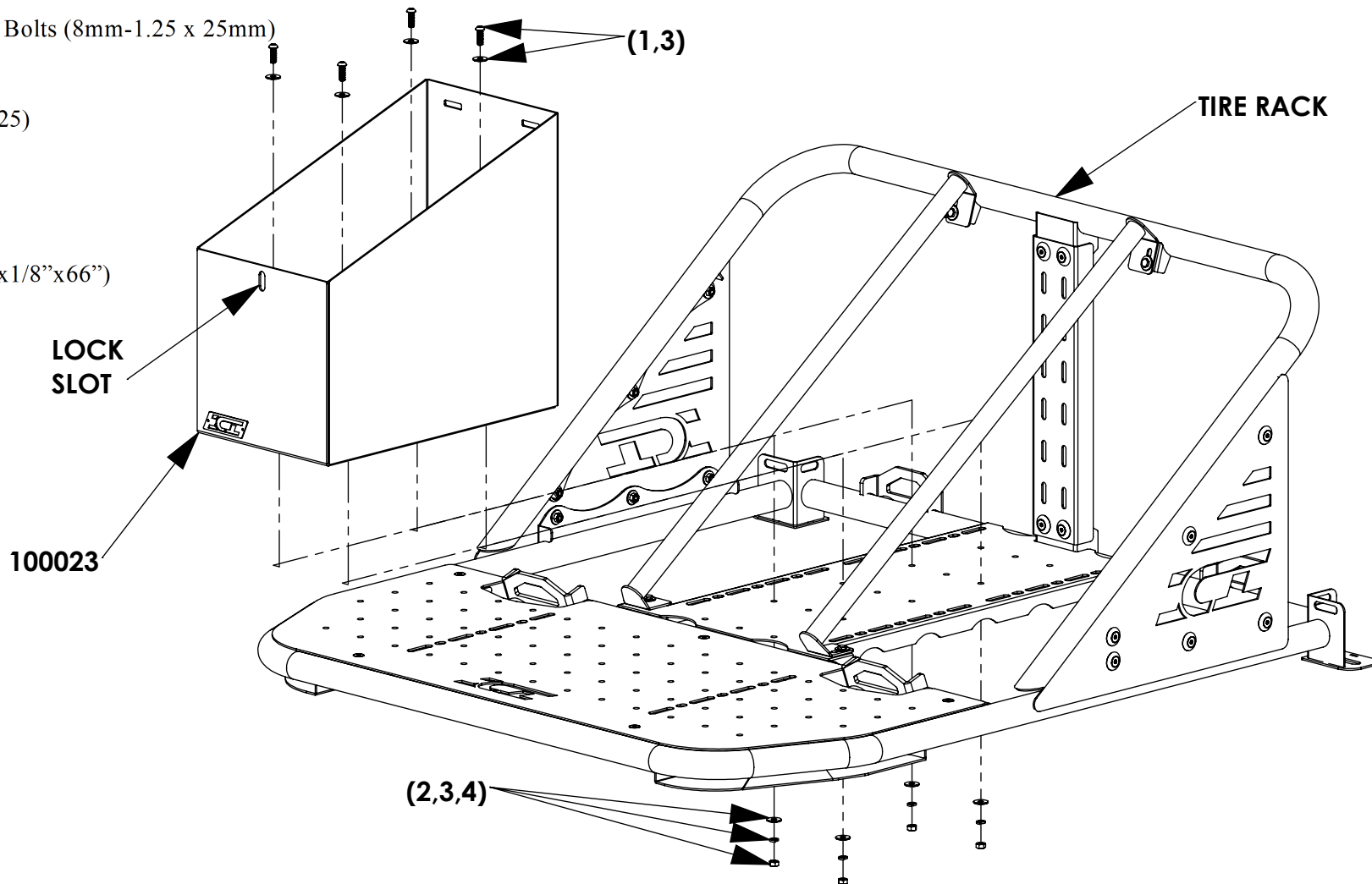
Hardware Kit Includes:

- (1) 4 – Button Head Socket Cap Bolts (8mm-1.25 x 25mm)
- (2) 4 – Lock washers (M8)
- (3) 8 – Flat Washers (M8)
- (4) 4 – Hex Head Nuts (8mm-1.25)

Components List:

- (1) 1 – Tool Box Lid (100022)
- (2) 1 – Tool Box (100023)
- (3) 1 – Roll of Foam Tape (1/2"x1/8"x66")

LOOSE FIT ALL COMPONENTS.
DO NOT TIGHTEN UNTIL ALL
COMPONENTS ARE INSTALLED
AND ADJUSTED.



Step-By-Step Installation Instructions:

- (1) Begin by locating the mounting holes you will be using to mount the Tool Box (100023) in the position of your choosing on the mounting plate or center tray of the tire rack. Make sure that the placement will not interfere with other components on the tire rack.
- (2) If you are mounting the Tool Box to the mounting plate, remove the mounting plate from the tire rack. Attach the Tool Box to the mounting plate using the holes that were located in step one using the provided hardware. Be sure not to cover the holes needed to mount the mounting plate back to the tire rack.
- (3) If you are mounting to the center tray of the tire rack, attach the Tool Box to the tire rack using the provided hardware.
- (4) Adhere the foam tape to the underside of the tool box lid and use any standard padlock style lock to secure the lid to the box, by threading the lock through the slot in the lid and box.