

# JACK MOUNT ACCESSORY

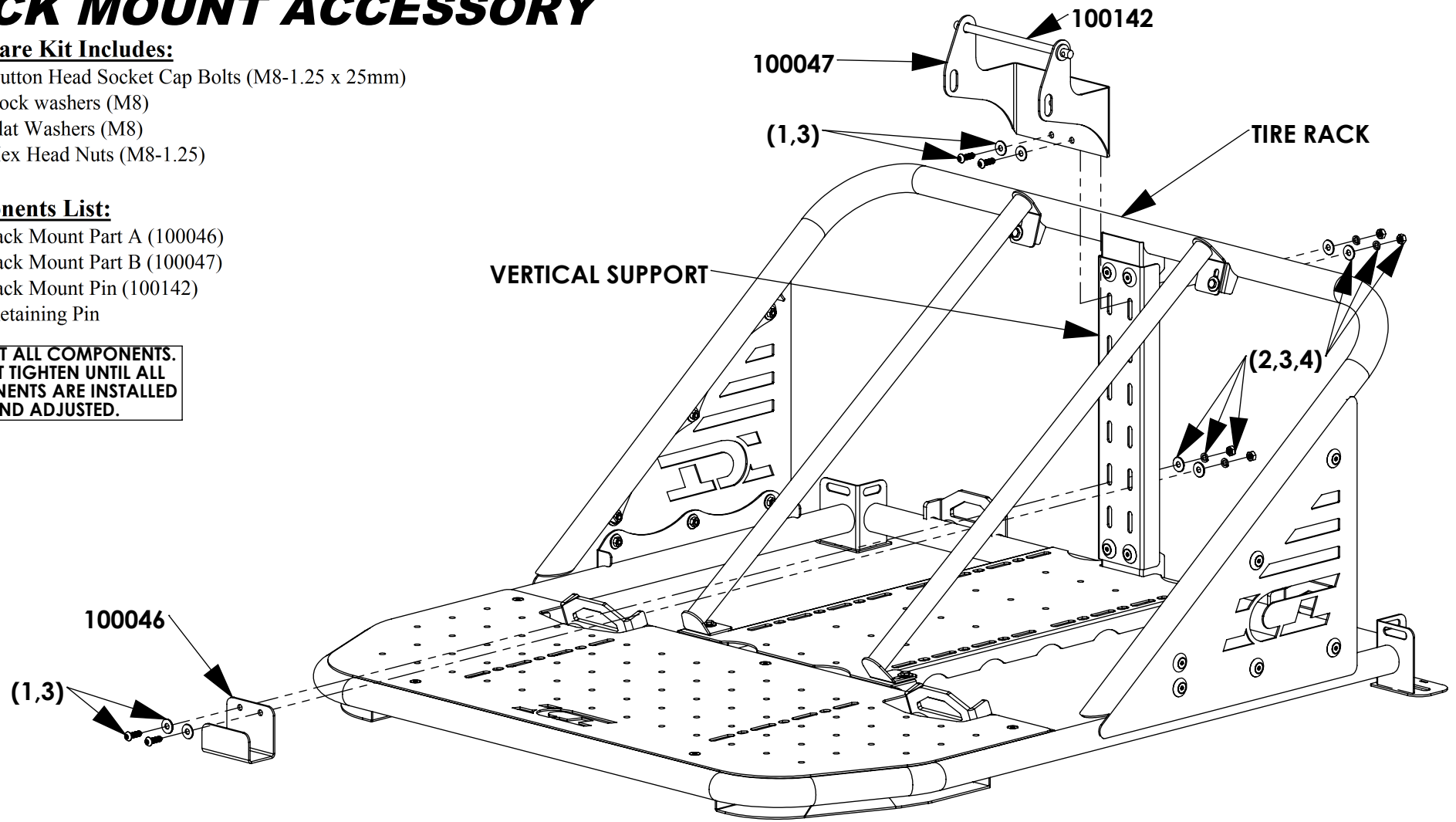
## Hardware Kit Includes:

- (1) 4 – Button Head Socket Cap Bolts (M8-1.25 x 25mm)
- (2) 4 – Lock washers (M8)
- (3) 8 – Flat Washers (M8)
- (4) 4 – Hex Head Nuts (M8-1.25)

## Components List:

- (1) 1 – Jack Mount Part A (100046)
- (2) 1 – Jack Mount Part B (100047)
- (3) 1 – Jack Mount Pin (100142)
- (4) 1 – Retaining Pin

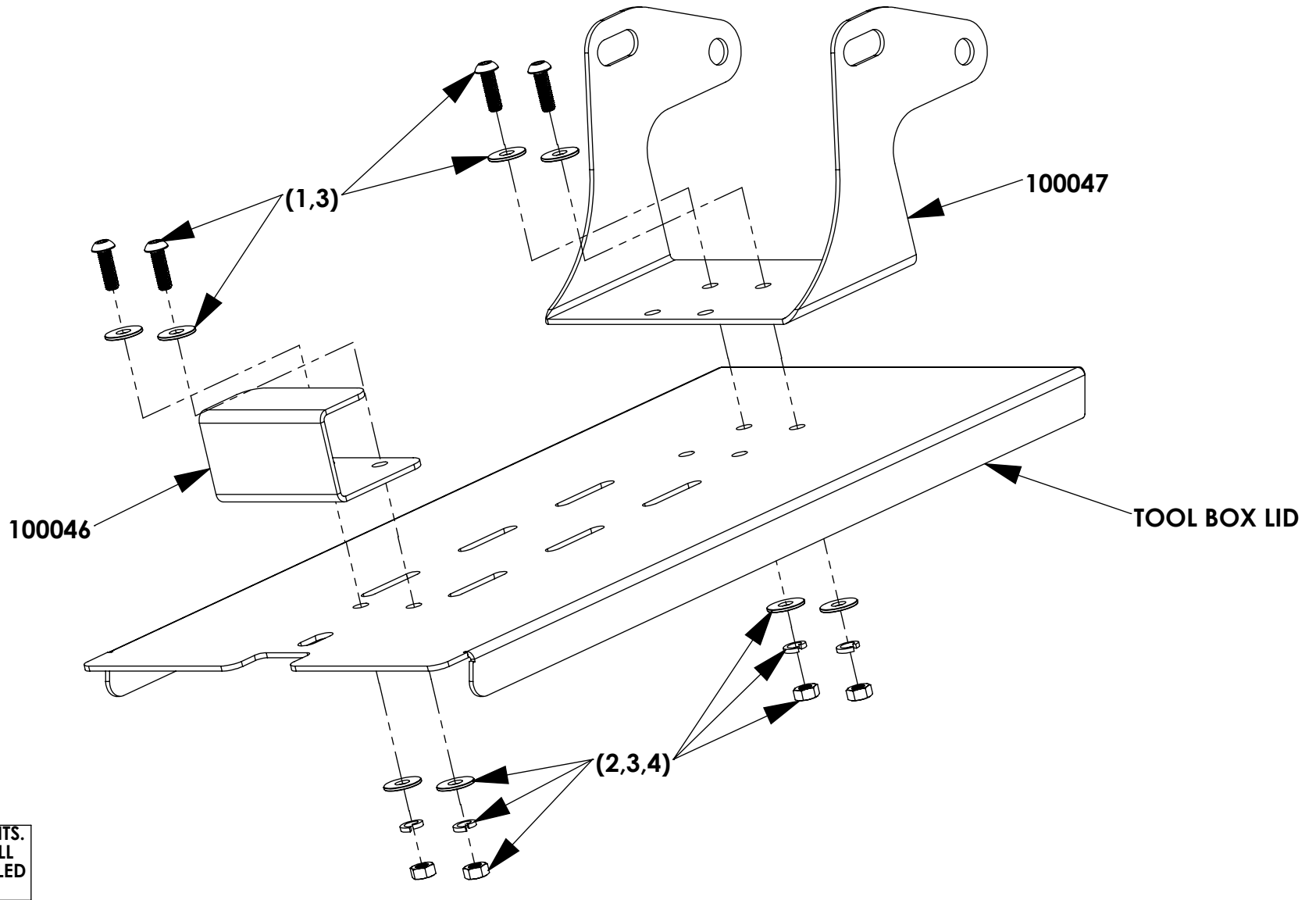
**LOOSE FIT ALL COMPONENTS.  
DO NOT TIGHTEN UNTIL ALL  
COMPONENTS ARE INSTALLED  
AND ADJUSTED.**



## Step-By-Step Installation Instruction For Mounting to Vertical Support:

- (1) If mounting to the vertical support of the tire rack, remove the two flat head socket cap bolts and finish washers at the top of the support. You will reuse this hardware to pass through the top holes in the Jack Mount Part B (100047) and then their original location.
- (2) Use the provided button head socket cap bolts and M8 hardware to pass through the remaining holes in 100047. Tighten all hardware holding 100047 to the vertical support.
- (3) Attach the Jack Mount Part A (100046) to the bottom of the vertical support using the provided M8 hardware. Leave this hardware loose.
- (4) Adjust the height of the Jack Mount Part A to fit your jack and tighten all hardware.

# JACK MOUNT ACCESSORY



## Step-By-Step Installation Instruction for Mounting to Tool Box Lid:

- (1) Begin by mounting Jack Mount Part A (100046) to the two holes in the Tool Box Lid using the provided M8 hardware.
- (2) Attach the Jack Mount Part B (100047) to the Tool Box Lid using the remaining four holes and M8 hardware. For different size jacks, the Jack Mount part B can be moved forward or backward for a better fitment. Only two M8 button head socket cap bolts, flat washers, lock washers, and hex nuts need to be used.