

Model MJS23K - Jetstreme II Fan



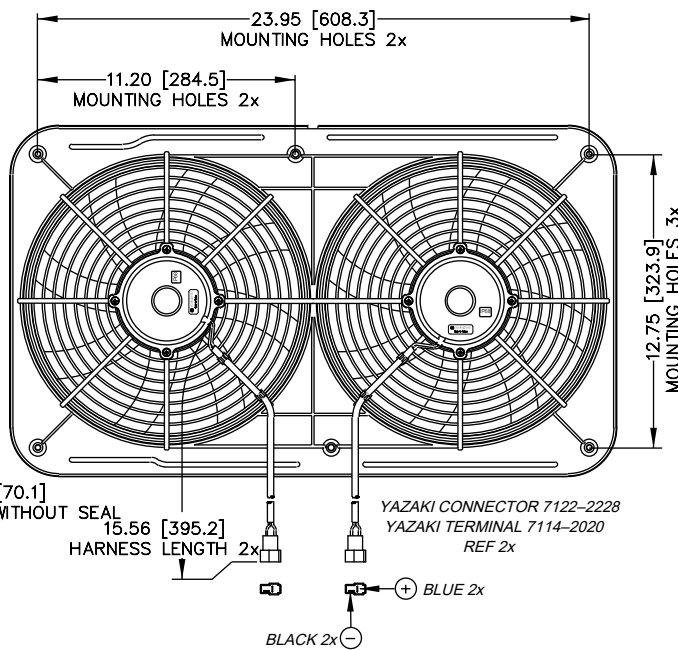
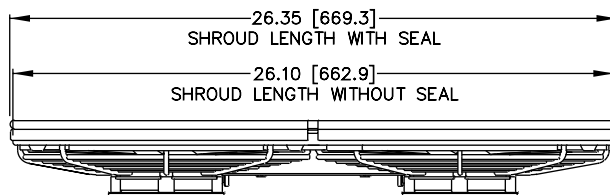
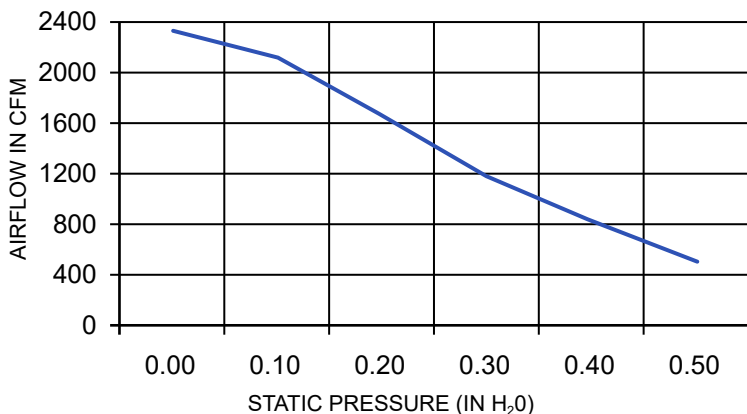
- Low profile allows for turbo
- Dual 130 watt sealed motors tested in accordance with DIN EN 60529, dust and water proof to IP68
- Quiet S-blade design
- All glass-filled nylon construction
- Rubber seal eliminates vibration contact and increases air flow
- Optional wire harnesses* (sold separately)
 - Part No. MFA100 (adjustable thermostat)
 - Part No. MFA111 (dual fan adapter)
 - Part No. MFA102 (185° temperature switch)
 - Part No. MFA103 (195° temperature switch)
- Optional brackets* (sold separately)
 - Part No. MFA107 (Rotates 90° to catch top & bottom or side U-channels) (Slotted mounting holes adjust to many different radiators)



(2) Fan Harness

(2) Pigtail

MFA107



TYPICAL PERFORMANCE DATA		
MJS23K DUAL 12" REVERSIBLE JETSTREME 12V 130W		
Static In H ₂ O	Total Flow CFM	13.5 VDC AMPS
0.00	2300	14.4
0.10	2119	15.0
0.20	1650	15.6
0.30	1186	15.6
0.40	827	15.2
0.50	510	15.0
0.60	STALL @ 0.6"	16.8

