

Model MJS23K - Jetstreme II Fan w/MFA100 & MFA111



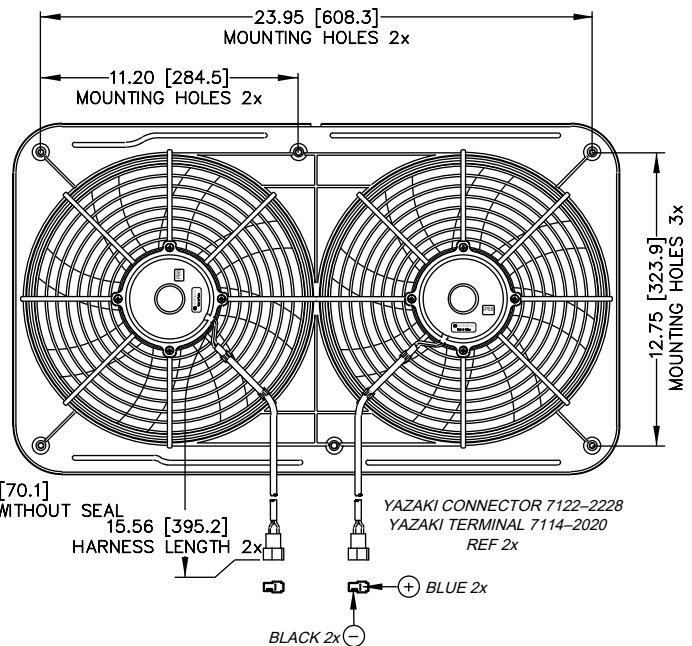
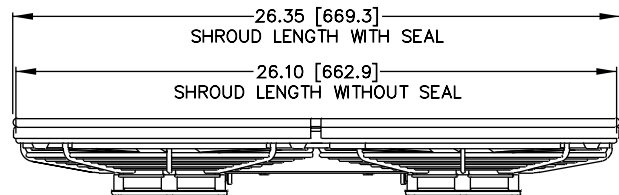
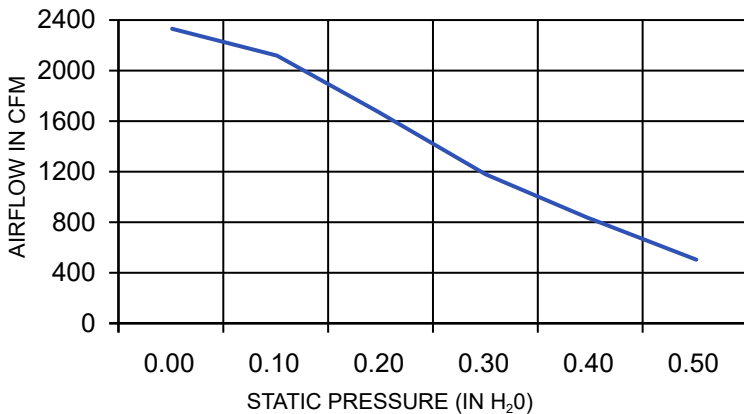
- Low profile allows for turbo
- Dual 130 watt sealed motors tested in accordance with DIN EN 60529, dust and water proof to IP68
- Quiet S-blade design
- All glass-filled nylon construction
- Rubber seal eliminates vibration contact and increases air flow
- Optional wire harnesses
 - Part No. MFA100 (adjustable thermostat) (included)
 - Part No. MFA111 (dual fan adapter) (included)
 - Part No. MFA102 (185° temperature switch)* (sold separately)
 - Part No. MFA103 (195° temperature switch)* (sold separately)
- Optional brackets* (sold separately)
 - Part No. MFA107 (Rotates 90° to catch top & bottom or side U-channels) (Slotted mounting holes adjust to many different radiators)



(2) Fan Harness

(2) Pigtail

MFA107



| TYPICAL PERFORMANCE DATA | | |
|---|----------------|---------------|
| MJS23K DUAL 12" REVERSIBLE JETSTREME 12V 130W | | |
| Static In H ₂ O | Total Flow CFM | 13.5 VDC AMPS |
| 0.00 | 2300 | 14.4 |
| 0.10 | 2119 | 15.0 |
| 0.20 | 1650 | 15.6 |
| 0.30 | 1186 | 15.6 |
| 0.40 | 827 | 15.2 |
| 0.50 | 510 | 15.0 |
| 0.60 | STALL @ 0.6" | 16.8 |

