

Engineered to Work Harder



Rugged Design (RD) chassis components are designed for hard working trucks, SUVs and fleet applications

- Built for the vehicles that tow, carry, pull and demand more
- Specially designed to hold up under the toughest abuse
- Fully serviceable and greasable designs deliver dependable durability under heavy loads; with regular grease maintenance

We optimize every component

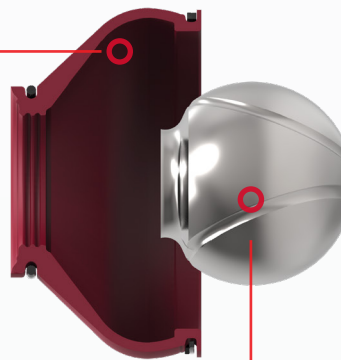
Premium RD Advantages

Performance Rated Boot
Tested to ensure prevention from contaminants



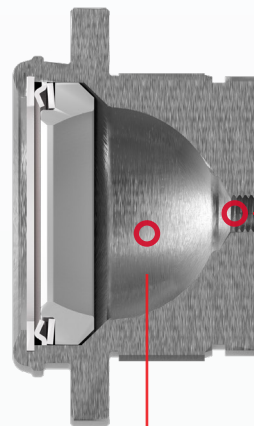
Exclusive Premium ArmourGrade™ Studs

ArmourGrade coating provides corrosion resistance against harsh environments



Exclusive Premium Larger High-Polish Ball

A larger ball surface distributes the load over a wider area, increasing durability and longevity under severe conditions



Exclusive Premium I.C.E.™ Grease

High quality lithium-based grease delivers better lubrication characteristics than conventional aftermarket grease; under a wider range of operating temperatures

Exclusive Premium IntegraFit™ Integrated Bearing Design

An exclusive premium hardening process allows us to eliminate the separate bearing and use a larger premium ball