

1

US Wheel Lock Installation Instructions

1 Place the label with the wheel lock replacement key code onto the inside of your vehicle's glove compartment. Computer register your key code by completing the remaining portion of the form and returning it to McGard in the envelope provided. *This service is FREE.* Registration will assist you if you ever need to order a replacement key.

2 Remove wheel covers (if equipped) and one lug nut/bolt from each wheel. If studs are rusty, clean with a wire brush prior to installing wheel locks. Do not lubricate threads.

Note: Wheel locks should always be the last nut/bolt tightened on each wheel and should be the first one loosened.

3 By hand, install one McGard® Wheel Lock onto each wheel to replace the lug nut/bolt

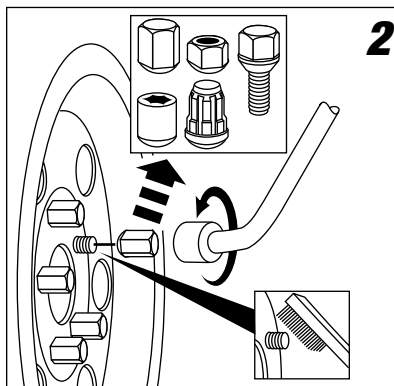
removed in step 2. Use only one lock per wheel. Note: If original lug nuts/bolts use a washer/plastic cap, be sure to install the washer/plastic cap included in package onto the wheel locks.

Notice: Air impact guns should not be used for installation of locks or lug nuts/bolts. Use of an impact gun for installation may cause over tightening resulting in difficulty of removal and permanent damage to the lock and key. Overtightening can also cause damage to brake rotors and wheel seats.

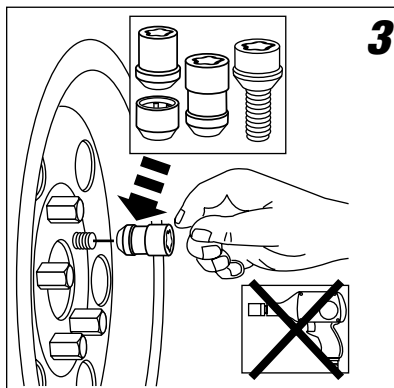
4 Using the McGard key and a lug wrench, tighten each lock to the torque specified in your vehicle owner's manual. Be sure to keep the key pattern squarely engaged into the lock pattern via direct inward pressure. For best results, use a torque

wrench and socket for final tightening. Wheel locks should be re-torqued after 25 miles (40Km) of driving. Newly installed lug nuts/bolts should also be re-torqued.

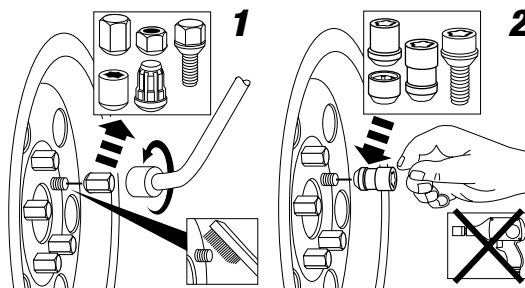
5 Place your key tool and this instruction sheet into the vinyl pouch and close. Store this package in a secure location inside the vehicle. It's also a good idea to have a spare key. You can order a spare key on the order form contained in the package and return it to McGard along with your Wheel Lock Registration Form.



2

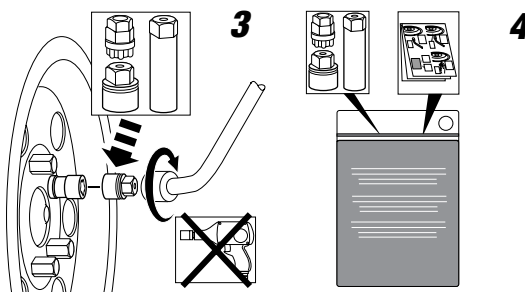


3

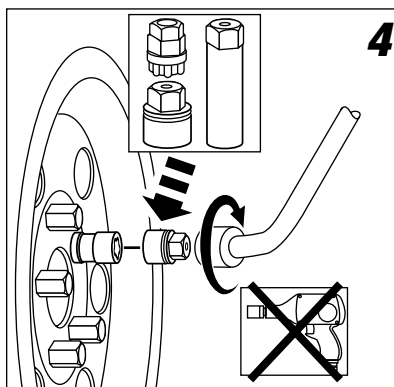


2

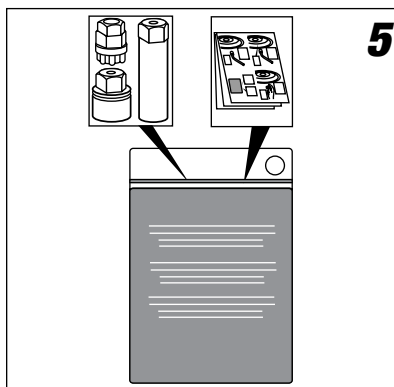
US See complete installation instructions and warranty information enclosed.



4



4

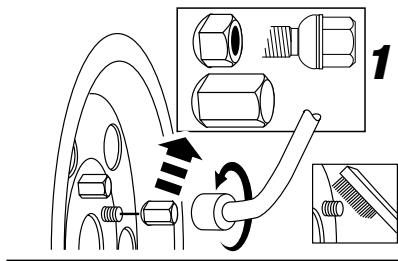


5

This McGard product is to be used only in accordance with the specific instructions contained within McGard assumes no responsibility for misapplication or misuse of the information contained within its literature. The user must verify with the vehicle manufacturer and wheel manufacturer the correct lug nut or lug bolt and shape of seat (cone, radius or flat seat) before installing McGard® wheel locks or lug nuts. Use of the or type of lug nut will damage the receiving thread and may cause failure or loss of the wheel which may result wheel covers and hubcaps can pose a clearance problem depending upon their shape, some McGard products may not be able to be used on some vehicles. McGard is not responsible for clearance problems with hubcaps or wheel covers.

US Thank You For Choosing A McGard® Installation Kit.

Quality Products Are Your Best Value. McGard offers many other reliable security products for your car, truck and boat: spare tire locks; tailgate locks; center cap locks; stern drive locks; propeller locks and outboard motor locks.



US Installation of McGard Lug Nuts & Lug Bolts:

Verification:

1 Verify that lug nuts/bolts are the correct style as recommended by the wheel manufacturer, including the spare tire (i.e. flat seat, cone seat, radius seat, shank, cone-shank).

2 For nut installations install one new fastener onto the front and rear wheel by hand. Tighten fasteners to the recommended torque specification.

3 Remove both fasteners. Look at the seating surface of the fasteners. If the seating surface is not marked by the wheel, the lug nut may have bottomed out on the wheel stud. This means the lug nuts are not the proper ones for your vehicle.

4 If installing bolts, make sure the shank length matches your current lug bolt. Too short a length could cause thread damage. Too long a length can extend beyond the rotor and cause damage to other vehicle parts.

Installation:

1 If studs are rusty, clean with a wire brush prior to installing lug nuts/bolts. Do not lubricate threads.

2 Start fasteners by hand.

3 Minimum thread engagement must be equal to the thread diameter of the wheel stud/bolt.

4 Tighten fasteners in a progressive crisscross pattern to the recommended installation torque found in your vehicle owner's manual. For best results, use a torque wrench and socket for final tightening. Fasteners should be retorqued after 25 miles of driving.

5 It is not recommended to use an impact wrench. Use of an impact wrench can result in uneven or over tightening of fasteners, which could damage wheels or distort brake rotors.

Read instructions thoroughly before starting.

SplineDrive Tips:

1 SplineDrive lug nuts are for use on alloy wheels only, not for use on steel wheels.

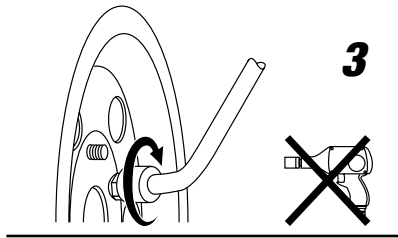
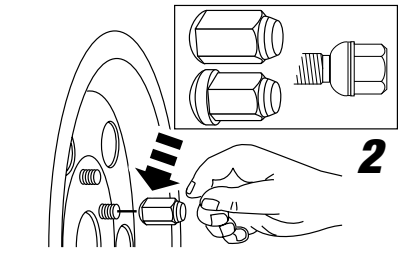
2 Care must be taken not to dent or scratch SplineDrive lugs with colored caps or rings.

3 When removing the lug nut, do not drop. Carefully place down with aluminum cap up.

4 To install SplineDrive® Lug Nuts you will need to use the installation tool that came with the lug nuts. Insert tool carefully and apply inward pressure when tightening and loosening to keep the tool in place. (see figure 3*).

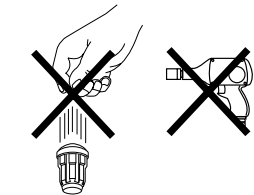
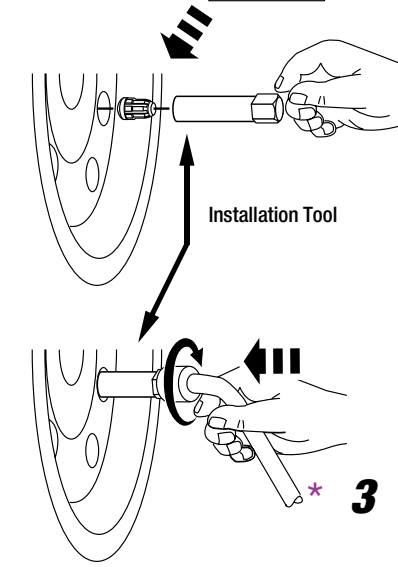
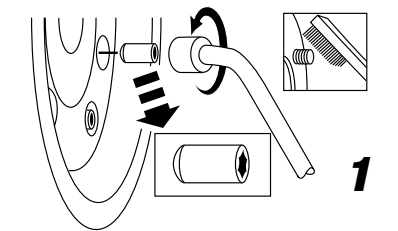
Helpful Hint:

Be sure to save enough Original Equipment Manufacturer fasteners for use with the O.E.M. spare tire/wheel.



WARNING: This McGard® product is to be used only in accordance with the specific instructions on this package. McGard assumes no responsibility for misapplication or misuse of the information contained within its printed literature. The user must verify with the vehicle manufacturer and wheel manufacturer the correct lug nut thread size, length and shape of seat (cone or flat seat) before installing lug nuts. Use of the wrong size or type of lug nut will damage the receiving thread and may cause failure or loss of the wheel which may result in serious injury. McGard is not responsible for clearance problems with hubcaps or wheel covers.

SplineDrive



US Thank You For Choosing McGard® Lug Nuts/Lug Bolts.

Quality products are your best value. McGard offers many reliable security products for your car, truck and boat: wheel locks; spare tire locks; tailgate locks; center cap locks; stern drive locks; propeller locks and outboard motor locks.

US Important Information You Need To Know!

View other lug nuts and wheel locks made by McGard on our website.