

- ▲ Mount underbody, on top of the deck, side by side – the door will open.
- ▲ Constructed of high strength/low weight aluminum.
- ▲ 42 Standard base models
- ▲ Polished stainless steel T- handle latches with locks.
- ▲ Doors available in smooth finish or diamond plate. All smooth doors are polished to a # 8 grade for an exceptional appearance.
- ▲ Bullet style hinge with 1/4" S/S center pin.
- ▲ Protective coating on smooth doors for improved shipping protection (to be removed at time of installation.)
- ▲ Stainless Steel doors are available by special order.
- ▲ Custom sizes and designs are available to meet specific needs.

S-SERIES ALUMINUM BOXES



S-Series Diamond Plate Single Door



S-Series Smooth Double Door

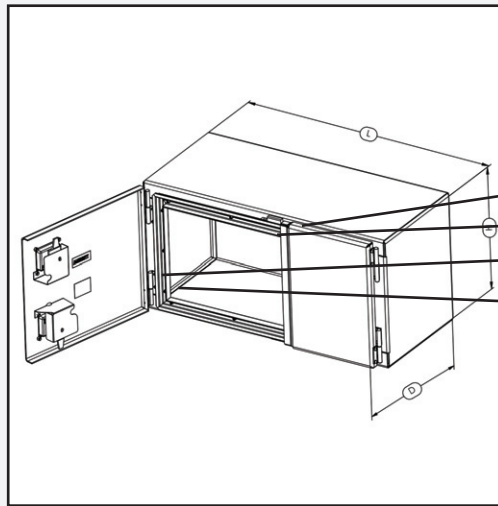


S-Series Smooth Single Door

S-SERIES ALUMINUM BOXES

ORDER INFORMATION

Order #	Description/Dimensions H x W x L	Weight Lbs.	Order #	Description/Dimensions H x W x L	Weight Lbs.
3573	Tool Box, 18 x 17 3/8 x 18 Smooth Single Door S Series	24	3570	Tool Box, 18 x 17 3/8 x 18 Dia. Plate Single Door S Series	28
3575	Tool Box, 18 x 17 3/8 x 24 Smooth Single Door S Series	36	3572	Tool Box, 18 x 17 3/8 x 24 Dia. Plate Single Door S Series	37
3577	Tool Box, 18 x 17 3/8 x 30 Smooth Single Door S Series	42	3574	Tool Box, 18 x 17 3/8 x 30 Dia. Plate Single Door S Series	43
3579	Tool Box, 18 x 17 3/8 x 36 Smooth Single Door S Series	48	3576	Tool Box, 18 x 17 3/8 x 36 Dia. Plate Single Door S Series	49
3581	Tool Box, 18 x 17 3/8 x 36 Smooth Double Door S Series	49	3578	Tool Box, 18 x 17 3/8 x 36 Dia. Plate Double Door S Series	50
3583	Tool Box, 18 x 17 3/8 x 48 Smooth Single Door S Series	60	3582	Tool Box, 18 x 17 3/8 x 48 Dia. Plate Single Door S Series	61
3585	Tool Box, 18 x 17 3/8 x 48 Smooth Double Door S Series	61	3584	Tool Box, 18 x 17 3/8 x 48 Dia. Plate Double Door S Series	62
3587	Tool Box, 18 x 17 3/8 x 60 Smooth Single Door S Series	69	3588	Tool Box, 18 x 17 3/8 x 60 Dia. Plate Single Door S Series	70
3589	Tool Box, 18 x 17 3/8 x 60 Smooth Double Door S Series	70	3586	Tool Box, 18 x 17 3/8 x 60 Dia. Plate Double Door S Series	71
3613	Tool Box, 18 x 23 3/8 x 48 Smooth Double Door S Series	66	3608	Tool Box, 18 x 23 3/8 x 48 Dia. Plate Single Door S Series	67
3609	Tool Box, 18 x 17 3/8 x 48 Smooth Single Door S Series	67	3612	Tool Box, 18 x 17 3/8 x 48 Dia. Plate Double Door S Series	68
3615	Tool Box, 18 x 17 3/8 x 60 Smooth Single Door S Series	87	3614	Tool Box, 18 x 17 3/8 x 60 Dia. Plate Single Door S Series	88
3617	Tool Box, 18 x 17 3/8 x 60 Smooth Double Door S Series	88	3616	Tool Box, 18 x 17 3/8 x 60 Dia. Plate Double Door S Series	89
3593	Tool Box, 24 x 23 3/8 x 24 Smooth Single Door S Series	47	3590	Tool Box, 24 x 23 3/8 x 24 Dia. Plate Single Door S Series	48
3595	Tool Box, 24 x 23 3/8 x 30 Smooth Single Door S Series	56	3592	Tool Box, 24 x 23 3/8 x 30 Dia. Plate Single Door S Series	57
3597	Tool Box, 24 x 23 3/8 x 36 Smooth Single Door S Series	64	3594	Tool Box, 24 x 23 3/8 x 36 Dia. Plate Single Door S Series	65
3599	Tool Box, 24 x 23 3/8 x 36 Smooth Double Door S Series	61	3596	Tool Box, 24 x 23 3/8 x 36 Dia. Plate Double Door S Series	61
3601	Tool Box, 24 x 23 3/8 x 48 Smooth Single Door S Series	77	3600	Tool Box, 24 x 23 3/8 x 48 Dia. Plate Single Door S Series	78
3603	Tool Box, 24 x 23 3/8 x 48 Smooth Double Door S Series	79	3602	Tool Box, 24 x 23 3/8 x 48 Dia. Plate Double Door S Series	80
3607	Tool Box, 24 x 23 3/8 x 60 Smooth Double Door S Series	105	3604	Tool Box, 24 x 23 3/8 x 60 Dia. Plate Single Door S Series	106
3605	Tool Box, 24 x 23 3/8 x 60 Smooth Single Door S Series	107	3606	Tool Box, 24 x 23 3/8 x 60 Dia. Plate Double Door S Series	108

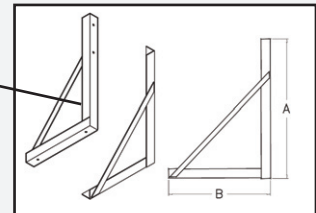


OPTION

Order #	Description/Dimensions	Weight
3546	KIT, GAS SHOCK AND MOUNT FOR S-SERIES AND STD TOOL BOXES	6 Lbs.

- ▲ Automotive grade door seals, secures the entire perimeter, for a more water resistant seal
- ▲ UHMW Plastic used on striker plate for longer latch assembly life and easier operation
- ▲ Merritt's extruded door frame provides a weather resistant seal.
- ▲ Lap joint weld provides material overlap in the corner where it is needed for superior strength and longer life (compared to most boxes that are constructed with butt welds).

▲ Vertical angle is high strength alloy and 1/4" thick



ZINC PLATED STEEL MOUNTING BRACKETS

Order #		A	B	Weight
117	For 18" Deep Tool Box	23-13/16"	16"	18
118	For 24" Deep Tool Box	29-13/16"	22"	25
620	E-Z Mounting Kit for 18" tool boxes			24
621	E-Z Mounting Kit for 24" tool boxes			31

- ▲ Steel for strength and low cost, Zinc Plated for lasting good looks!
- ▲ Available for 18" or 24" deep Tool Boxes
- ▲ Lightweight design - 117 only 18 lbs, 118 only 25 lbs.

Models and/or Specifications Subject to Change Without Notice.

