

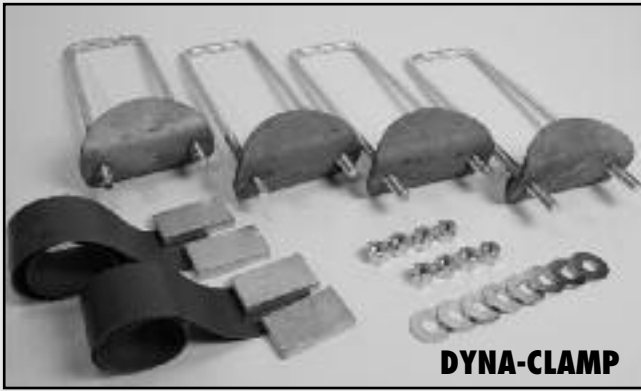
- ▲ 7 models to choose from, to allow you flexibility for your needs.
- ▲ Metal surfaces are Zinc plated for durability and appearance.
- ▲ Dyna-Clamps can be mounted with u-bolt up or down position.
- ▲ Deluxe kit and Problem Solver kits for the times when items block the frame rail and a clamp will not work. (drilling required & nuts/bolts/washers not included for the side brackets)
- ▲ Stress blocks are included to fit between the u-bolt and the LSR leg. This spreads the clamping force over a larger area.

LSR MOUNTING KITS



DYNA-CLAMP

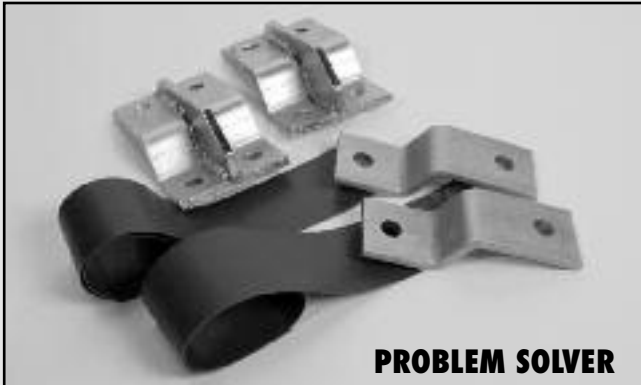
LSR MOUNTING KITS



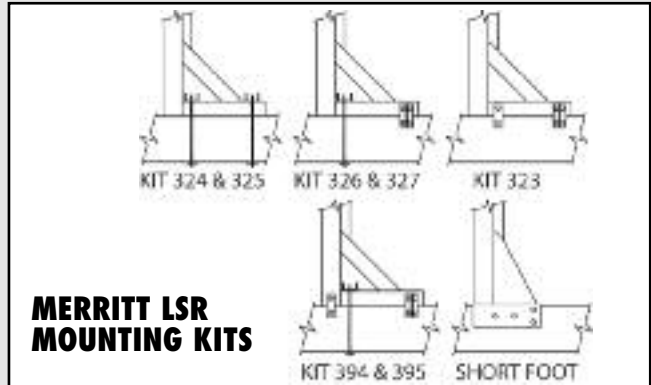
DYNA-CLAMP



DELUXE KIT



PROBLEM SOLVER



MERRITT LSR MOUNTING KITS

DYNA-CLAMP*

Order #	Description/Dimensions	Weight
324	Dyna-Clamp Kit (17" U-bolts) For Frame Rails 11" Deep or Less	31
325	Dyna-Clamp Kit (21" U-bolts) For Frame Rails Over 11"	33

Designed for most installation needs

**All parts zinc coated for corrosion resistance.*

PROBLEM SOLVER*

Order #	Description/Dimensions	Weight
323	Problem Solver Kit (nuts and bolts not included)	15

Designed for difficult installations in and around air tanks, hanger brackets, crossmembers, fuel tanks, etc

DELUXE KIT*

Order #	Description/Dimensions	Weight
326	Deluxe Mounting Kit (17" U-bolts) For Frame Rails 11" Deep or Less	25
327	Deluxe Mounting Kit (21" U-bolts) For Frame Rails Over 11"	26

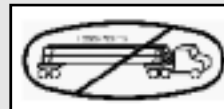
*Designed to give an extra option for problem installations.
Two Brackets and Two U-Bolts.*

3-POINT MOUNTING KIT*

Order #	Description/Dimensions	Weight
394	3-Point Mounting Kit (17" U-bolts) For Frame Rails 11" Deep or Less	35
395	3-Point Mounting Kit (21" U-bolts) For Frame Rails Over 11"	36

Four Brackets and Two U Bolts.

MOUNTING KIT SELECTION: Merritt offers several mounting kits as indicated in the diagram above. The operator is directed to select the best system for the application. If your installation application requires maximum attachment, we refer you to the 394 and 395 kits. If your installation application could be forced to move or slip on the frame, we refer you to any one of the systems 323, 326, 327, 394, 395 and the short foot which all bolt through the frame as part of the mounting.



▲ Merritt LSR's are not to be used in conjunction with log trailers or pole trailers.

Models and/or Specifications Subject to Change Without Notice.

F.O.B. - Atlanta GA, Birmingham AL, Dallas TX, Henderson CO, Houston TX, Minneapolis MN, Nashville TN, Pittsburgh PA, Sacramento CA, Kansas City KS, Calgary, AB (Canada), Toronto, ON (Canada)

