

- ▲ The All New Northern – Light LSR unit comes standard with a 3 door enclosure and LED lights (as shown).
- ▲ 6' Wiring harness
- ▲ 2 chain hangers in each outside compartment.
- ▲ 2 heavy duty shelves in the center compartment.
- ▲ The enclosure is 8" deep / 9" with the door.
- ▲ The unique foot allows you to mount it with a 3240 U-bolt kit or it can mount like a Short Foot by bolting through the frame web.
- ▲ It does not have rear beams, you can mount the unit 5" closer than a normal enclosure unit.
- ▲ Northern – Light LSR, 68" X 84", with lights, shelves and chain hangers.
- ▲ Stocked in most Merritt warehouse locations.

NORTHERN-LIGHT LSR



Northern -Light LSR 3-Door Enclosure

Northern-Light LSR

NORTHERN-LIGHT LSR

ORDER INFORMATION

Order #	Description/Dimensions H x W	Shipping Wt.	Maximum Static Load Resistance:* Lbs.
---------	---------------------------------	--------------	--

3700 Northern-Light LSR 68 x 84

302 25,500 Lbs.

3240 Northern-Light Clamp Kit (14" U-bolts)

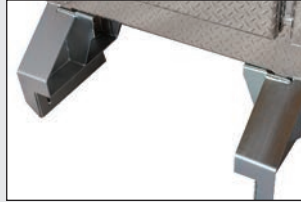
31



Three LED stop/turn lights in each corner.



Three LED Marker lights centered



The foot is made of steel and is Zinc plated for anti-rust and a finished look.



Center compartment with 2 shelves



Foot assembly with the cut outs for the U-bolts to mount through and also, the pre-drilled mounting holes for side mounting. Your choice!



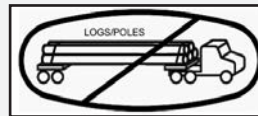
Inside view of the foot. Please note the design to achieve the strength needed

▲ Northern-Light LSR's have been tested by an independent engineering firm for maximum uniformly distributed static load.

▲ Must be Installed to Merritt Specifications with a Merritt Mounting Kit.

▲ Mounting Kits not Included. Reference Mounting Kit - Page 3A and 3B

▲ Merritt LSR's are not to be used in conjunction with log trailers or pole trailers.



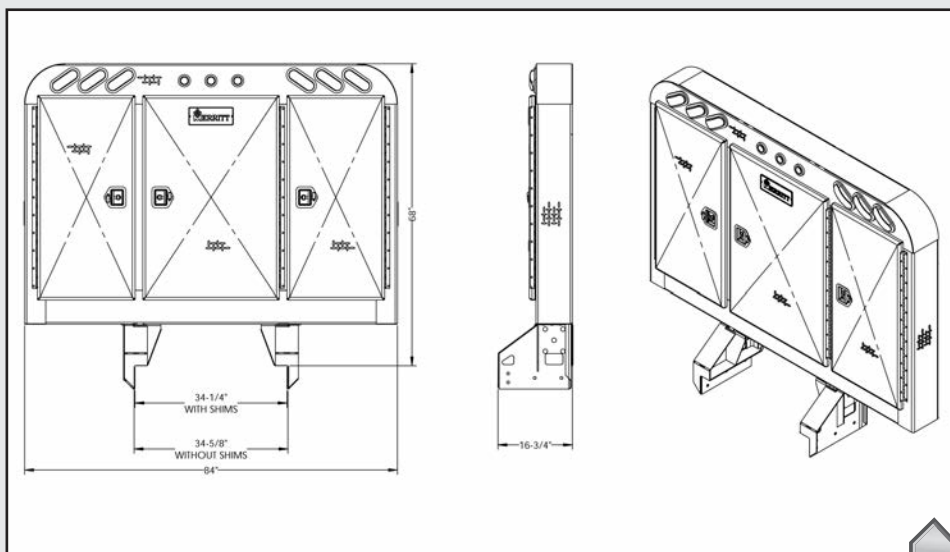
WARNING LIMITED RESISTANCE TEST

Each model LSR has been designed and tested in conjunction with a Merritt Mounting Kit. Each model LSR has been tested to resist a maximum uniformly distributed static load as stated above.

Each model LSR offers limited resistance against impact. Merritt Equipment Co. makes no representations, implied or otherwise, except for the uniformly distributed static load resistance test as stated above. Any load or force in excess of the uniformly distributed static load resistance test may result in failure of this product which can result in serious injury or death.



Chain hangers in each side compartment



No rear Beams. You can get the unit closer to the cab than a normal LSR.

Models and/or Specifications Subject to Change Without Notice.

F.O.B. - Atlanta GA, Birmingham AL, Dallas TX, Henderson CO, Houston TX, Minneapolis MN, Nashville TN, Pittsburgh PA, Sacramento CA, Kansas City KS, Calgary, AB (Canada), Toronto, ON (Canada)

