

- ▲ Great for storage, one door, two door and full three door enclosures are available. Internal shelves and chain hangers are popular options. Keep your storage items out of the weather and out of sight.
- ▲ Drom decks available from 30" to 96". ( See drawing on page 5B - Dimension A )
- ▲ Decks are designed to carry 1000#lbs. per linear foot, allowing for more cargo carrying area.
- ▲ Aerodynamic shape patterned with the new truck designs.
- ▲ Panel gussets reinforce the assembly, which is welded to two vertical beams providing increased strength and protection.
- ▲ Full enclosure option available on all models.

## **ALUMINUM DYNA-DROM LSR**



# ALUMINUM DYNA-DROM LSR

## ORDER INFORMATION

Order #	Description/Dimensions	Weight
		Lbs.
H x W x L		
302	Dyna-Drom 68 x 80 x 30	212
303	Dyna-Drom 68 x 80 x 48	271
304	Dyna-Drom 68 x 80 x 72	319
305	Dyna-Drom 68 x 80 x 96	388
<b>414</b>	<b>Endosure 3-Door 64 x 80 x 14</b>	<b>127</b>
346	Dyna-Drom 68 x 86 x 30	227
347	Dyna-Drom 68 x 86 x 48	291
348	Dyna-Drom 68 x 86 x 72	343
349	Dyna-Drom 68 x 86 x 96	417
<b>356</b>	<b>Endosure 3-Door 64 x 86 x 14</b>	<b>136</b>
342	Dyna-Drom 68 x 96 x 30	244
343	Dyna-Drom 68 x 96 x 48	300
344	Dyna-Drom 68 x 96 x 72	360
345	Dyna-Drom 68 x 96 x 96	440
<b>357</b>	<b>Endosure 3-Door 64 x 96 x 14</b>	<b>145</b>

▲ All Dyna-Drom LSR's have been tested by an independent engineering firm to resist the maximum uniformly distributed static load of 23,450 Lbs.

▲ Must be Installed to Merritt Specifications with a Merritt Mounting Kit.  
▲ Mounting Kits not Included.

### Enclosures

- ▲ Extruded door frame with a full perimeter automotive grade door seal
- ▲ Piano style hinges, 1/2" Knuckle Length
- ▲ Add the enclosure to your choice of Drom
- ▲ 80" Wide-3 door    ▲ 86" Wide-3 door    ▲ 96" Wide-3 door
- ▲ Stainless steel door option available

### WARNING LIMITED RESISTANCE TEST

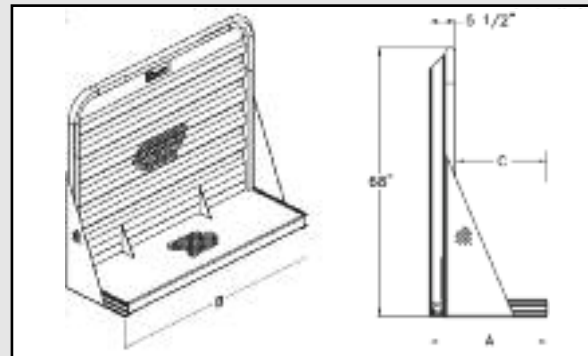
Each model LSR has been designed and tested in conjunction with a Merritt Mounting Kit. Each model LSR has been tested to resist a maximum uniformly distributed static load as stated above.

Each model LSR offers limited resistance against impact. Merritt Equipment Co. makes no representations, implied or otherwise, except for the uniformly distributed static load resistance test as stated above. Any load or force in excess of the uniformly distributed static load resistance test may result in failure of this product which can result in serious injury or death.

Order #	Mounting Kit
351	Drom Mounting Kit for Decks to 4', 14" Bolts
353	Drom Mounting Kit for Decks 4'6" to 8', 14" Bolts
354	Drom Mounting Kit for Decks 8'6" & over, 14" Bolts

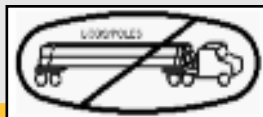
17" U-bolts are available upon request for chassis with deep frame dimensions.

Order #	Options/Description	Weight
142	Grab Handle, 25"	1
143	Load Light, with Lexan cover	1
144	Bracket, Load Light	1
145	Stop & Turn Light Bracket	5
369	E-Z View Window	—
386	E-Z View Window Full View	—
128	Chain Rack, without cover	3
147	Chain Rack, with locking cover	5
359	Chain Tray, Drom, full width	27
360	Divider Tray	1
341	Enclosure Shelf	7
361	Lid Assembly, full width Chain Tray	18



Model	A	B	C
302	30"	80"	23 1/2"
346	30"	86"	23 1/2"
342	30"	96"	23 1/2"
303	48"	80"	41 1/2"
347	48"	86"	41 1/2"
343	48"	96"	41 1/2"
304	72"	80"	65 1/2"
348	72"	86"	65 1/2"
344	72"	96"	65 1/2"
305	96"	80"	89 1/2"
349	96"	86"	89 1/2"
345	96"	96"	89 1/2"

▲ Merritt Dyna-Drom LSR's are not to be used in conjunction with log trailers or pole trailers.



Models and/or Specifications Subject to Change Without Notice.

F.O.B. - Atlanta GA, Birmingham AL, Dallas TX, Henderson CO, Houston TX, Minneapolis MN, Nashville TN, Pittsburgh PA, Sacramento CA, Kansas City KS, Calgary, AB (Canada), Toronto, ON (Canada)

