



Builder of High Performance, High Quality Truck Products

- ▲ Fold Away Handle – Gives you added stability when moving up or down the saddle box steps.
- ▲ Pete Style Steps, fits the Peterbilt 379 tanks (33.5" and 35.5" widths are standard for the 23" and 26" diameter tanks.)

- ▲ Connection Box – Polished finish or Diamond Plate Aluminum
- ▲ Cross frame mount or can be mounted in the Merritt Dyna-Deck top mount, for a "custom" look.
- ▲ New fixed handle, add to your Frame Step or [Saddle Box](#).

- ▲ Deep Fenders–New style fenders; Deep Drop Curved an addition 5" on the radius, which follows the tire radius. Deep Drop Straight with additional 5" added to the bottom of the radius—but continues straight down. Get that custom look at a standard price.

# NEW PRODUCTS

Two Models with Light Holes

Connection Box

Air and electric fittings not included

© Peterbilt Tank Steps

Fender Deep Drop Wrap

Fender Deep Drop Straight

Fold Away Handle  
Patent Pending

New from MERRITT

# NEW PRODUCTS

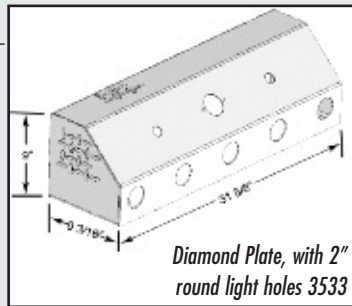
# ORDER INFORMATION

## CONNECTION BOX

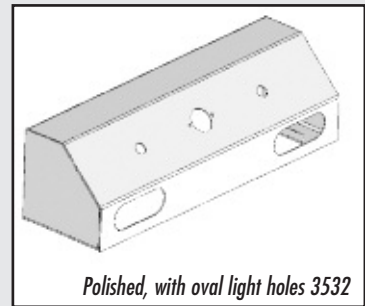
### CROSS FRAME OR DYNA-DECK MOUNT

Order #	Description	Shipping Wt.
3529	Connection Box Polished Aluminum	18 lbs
3530	Connection Box Bright Tread	18 lbs
3531	Polished, with w5 (2") round light holes	18 lbs
3532	Polished, with 2 oval light holes	18 lbs
3533	Diamond plate, w5 (2") round light holes	18 lbs
3534	Diamond plate with 2 oval light holes	18 lbs

Includes Mounting Hardware / \*Deck Cover Not Included \*Add to 432, 433, 434 or 435 Deck Covers



Diamond Plate, with 2" round light holes 3533



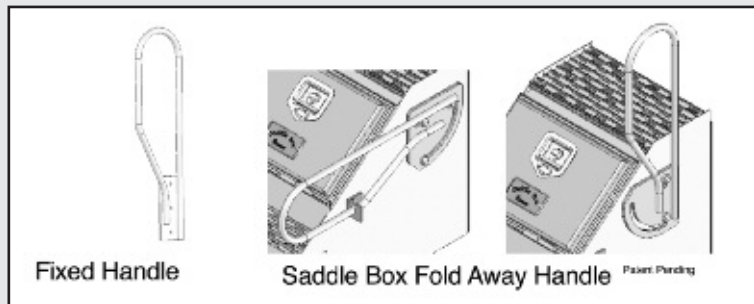
Polished, with oval light holes 3532

## SADDLE BOX FOLD AWAY HANDLE

(Patent Pending)

Order #	Description	Shipping Wt.
3518	Folding Handle R/H (Patent Pending)	11 lbs
3519	Folding Handle L/H (Patent Pending)	11 lbs
3524	Fixed Handle R/H	11 lbs
3525	Fixed Handle L/H	11 lbs

(Attaches to any Merritt Saddle Box—3524 & 3525 can also attach to any Merritt frame steps)

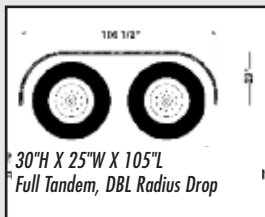


Fixed Handle

Saddle Box Fold Away Handle

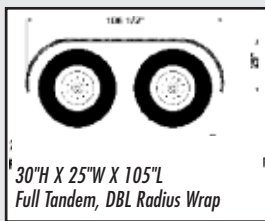
Patent Pending

## RADIUS WRAP AND DROP FENDERS



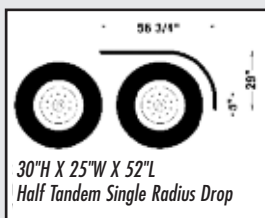
30"H X 25"W X 105"L  
Full Tandem, DBL Radius Drop

Order #	Description	Wt.
<b>FENDER, FULL TANDEM DBL RADIUS DROP</b> 30H X 25W X 105		
5202	W/ Ribs	35.4
5212	.090 Smooth Alum.	34.0
5222	.100 Diamond Plate Alum.	42.9
5232	.125 Smooth Alum.	47.1



30"H X 25"W X 105"L  
Full Tandem, DBL Radius Wrap

Order #	Description	Wt.
<b>FENDER, FULL TANDEM DBL RADIUS WRAP</b> 30H X 25W X 105		
5203	.090 Smooth Alum. W/Ribs	33.0
5213	.090 Smooth Alum.	31.9
5223	.100 Diamond Plate Alum.	38.3
5233	.125 Smooth Alum.	44.2
5243	16 Gauge 304 S. S.	64.1



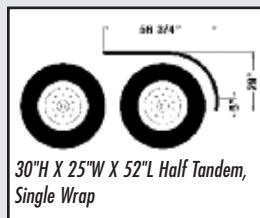
30"H X 25"W X 52"L  
Half Tandem Single Radius Drop

Order #	Description	Wt.
<b>FENDER, HALF TANDEM SGNL RADIUS DROP</b> 30H X 25W X 52		
5200	.090 Smooth Alum. W/Ribs	32.2
5210	.090 Smooth Alum.	30.9
5220	.100 Diamond Plate Alum.	38.9
5230	.125 Smooth Alum.	42.7

## PETERBILT® STYLE TANK STEP FOR PETE MODEL 379

Order #	Description	Shipping Wt.
3526	Tank Step 23" Radius x 35.5" Long	18 lbs
3527	Tank Step 26" Radius x 33.5" Long	18 lbs
3528	Tank Step 23" Radius x 33.5" Long	19 lbs
3520	Tank Step 26" Radius x 35.5" Long	19 lbs

\* For Other Widths, Please provide Diameter and Step Width



30"H X 25"W X 52"L Half Tandem, Single Wrap

Order #	Description	Wt.
<b>FENDER, HALF TANDEM SGNL RADIUS WRAP</b> 30H X 25W X 56 3/4		
5201	.090 Smooth Alum. W/Ribs	15.6
5211	.090 Smooth Alum.	15.1
5221	.100 Diamond Plate Alum.	18.1
5231	.125 Smooth Alum.	21.0
5241	16 Gauge 304 S. S.	30.4



30"H X 25"W X 48"L  
Single Axle, Full Radius Wrap

Order #	Description	Wt.
<b>FENDER, SGNL AXLE RADIUS WRAP</b> 30H X 25W X 48		
5204	.090 Smooth Alum. W/Ribs	18.3
5214	.090 Smooth Alum.	17.6
5224	.100 Diamond Plate Alum.	22.0
5234	.125 Smooth Alum.	24.3
5244	16 Gauge 304 S. S.	34.8

Models and/or Specifications Subject to Change Without Notice.

F.O.B. - Atlanta GA, Birmingham AL, Dallas TX, Henderson CO, Houston TX, Minneapolis MN, Nashville TN, Pittsburgh PA, Sacramento CA, Kansas City KS, Calgary, AB (Canada), Toronto, ON (Canada)

