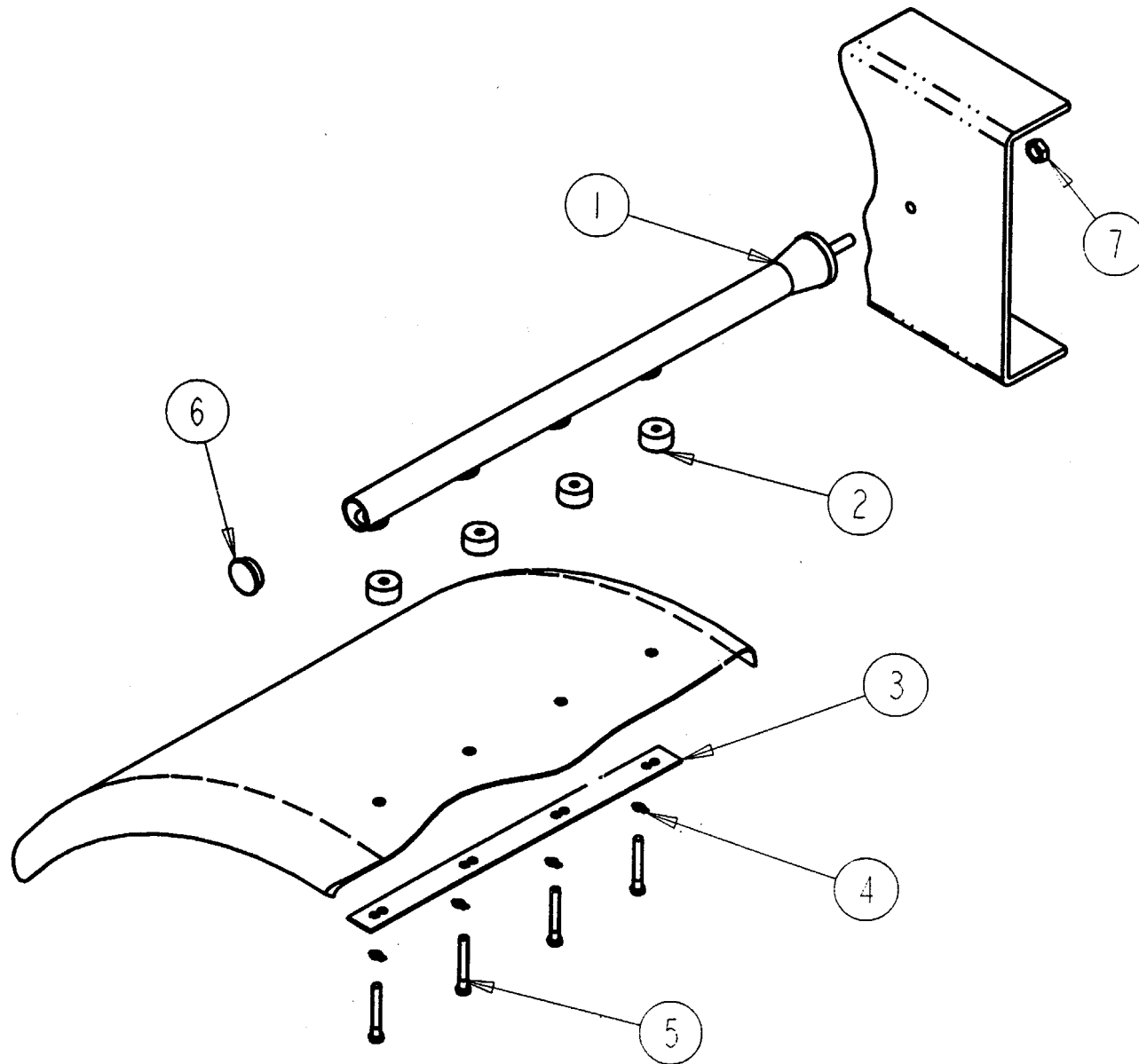




EZ MOUNT FENDER BRACKETS

SINGLE STUD MOUNT



HARDWARE KIT INCLUDES:

1. 1 29" x 1 5/8" Round Bracket w/Bolt
2. 4 1 1/2" x 3/4" Rubber Spacers
3. 1 1 1/2" x 19 3/4" Backing Plate
4. 4 3/8" Tab Lockwashers
5. 4 1 3/4" x 3/8" Hex Bolts
6. 1 1 1/2" Plastic End Cap
7. 1 5/8" – 18 Nylock Nut

This is a Universal Bracket – designed to mount outside of any fender.

FEATURES

High quality product with an exceptional black powder coat or polished chrome finish!

Single bolt solid mount to frame

Rubber mount to fender

Bracket mounts 1" off fender so rocks and gravel fall through.

INSTALLATION NOTES:

- ❖ Backing plate is designed to be used as template to drill holes in fender.
- ❖ When installing 1 3/4" x 3/8" bolts it is recommended that the bolts are not overtightened.
- ❖ It is necessary to bend tab lockwashers downward into bolt to prevent unwinding.