



INSTALLATION INSTRUCTIONS FOR PART 82-4601

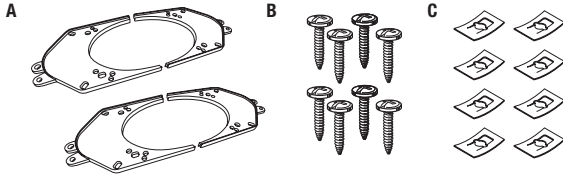
Universal 4 X 10 to 4 X 6 speaker plate 82-4601

KIT FEATURES

- Adapts a 4 X 6 speaker to a 4 X 10 speaker location

KIT COMPONENTS

- A) (2) Speaker adapter plates • B) (8) #8 x 1/2" Phillips pan head screws • C) (8) Speed clips



WIRING & ANTENNA CONNECTIONS (sold separately)

Wiring Harness: • Not required

Antenna Adapter: • Not required

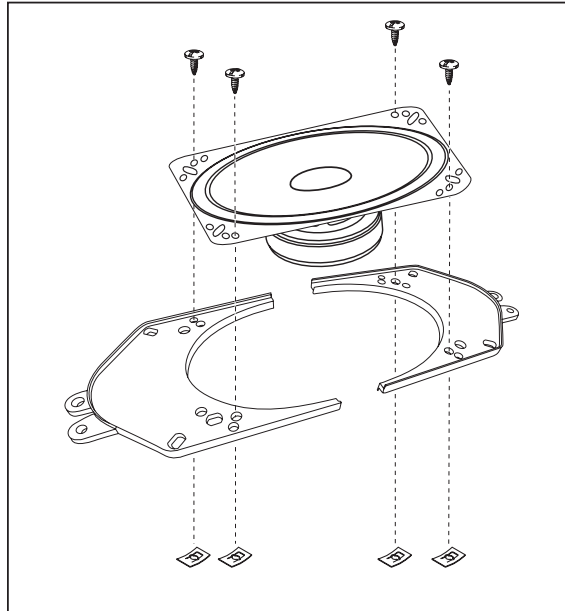
TOOLS REQUIRED

- Phillips screwdriver

CAUTION! Metra recommends disconnecting the negative battery terminal before beginning any installation, unless the vehicle manufacturer recommends against so. Please check with your local Dealership for more information. All accessories, switches, climate controls panels, and especially air bag indicator lights must be connected before reconnecting the battery or cycling the ignition. Also, do not remove the factory radio with the key in the on position, or the vehicle running. It would be best to remove the key from the ignition and then wait a few seconds before removing the factory radio.

Kit Assembly

1. Mount the aftermarket speaker to the speaker adapter plate with (8) pan head screws, and (8) speed clips supplied. (Figure A)



(Figure A)