



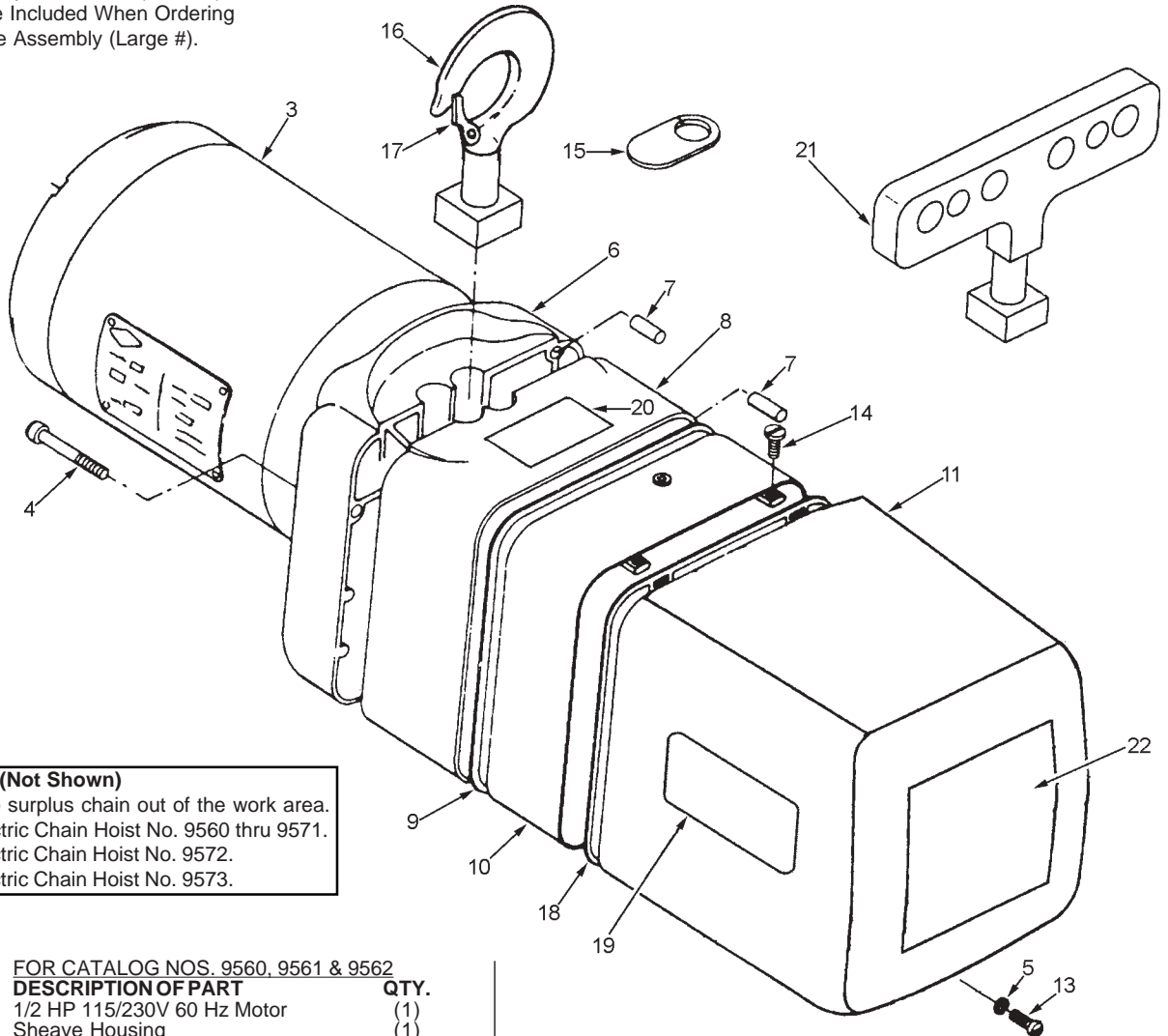
SERVICE PARTS LIST

SPECIFY CATALOG NO. AND SERIAL NO. WHEN ORDERING PARTS		REVISED BULLETIN
ELECTRIC CHAIN HOISTS		
CAT. NOS.	9560, 9561, 9562, 9565, 9566, 9567, 9568, 9570, 9571, 9572, 9573	DATE CODE 598

EXAMPLE:

00/0

Component Parts (Small #)
Are Included When Ordering
The Assembly (Large #).



CHAIN CONTAINERS (Not Shown)
Recommended to keep surplus chain out of the work area.
48-12-0111 For Electric Chain Hoist No. 9560 thru 9571.
48-12-0112 For Electric Chain Hoist No. 9572.
48-12-0113 For Electric Chain Hoist No. 9573.

FIG.	PART NO.	DESCRIPTION OF PART	QTY.
FOR CATALOG NOS. 9560, 9561 & 9562			
3	23-30-0210	1/2 HP 115/230V 60 Hz Motor	(1)
6	43-76-0470	Sheave Housing	(1)
8	43-76-0480	Gear Housing	(1)
22	10-37-0040	Capacity Label	(1)
FOR CATALOG NOS. 9565, 9567 & 9568			
3	23-30-0220	1 HP 115/230V 60 Hz Motor	(1)
6	43-76-0510	Sheave Housing	(1)
8	43-76-0490	Gear Housing	(1)
22	10-37-0050	Capacity Label	(1)
FOR CATALOG NO. 9566			
3	23-30-0230	1 HP 230/460V 3 Phase Motor	(1)
6	43-76-0510	Sheave Housing	(1)
8	43-76-0490	Gear Housing	(1)
22	10-37-0050	Capacity Label	(1)
FOR CATALOG NOS. 9570, 9572 & 9573			
3	23-30-0220	1 HP 115/230V 60 Hz Motor	(1)
6	43-76-0510	Sheave Housing	(1)
8	43-76-0490	Gear Housing	(1)
22	10-37-0060	Capacity Label	(1)
FOR CATALOG NO. 9571			
3	23-30-0230	1 HP 230/460V 3 Phase Motor	(1)
6	43-76-0510	Sheave Housing	(1)
8	43-76-0490	Gear Housing	(1)
22	10-37-0060	Capacity Label	(1)

FIG.	PART NO.	DESCRIPTION OF PART	QTY.
4	06-95-5710	Washer Head Hex Screw	(4)
5	06-97-4000	1/4" Split Ring Lockwasher	(1)
7	06-65-3515	1/4" x 3/4" Dowel Pin	(2)
9	43-44-0820	Gear Case Gasket	(1)
10	42-92-0665	Gear Box Cover	(1)
11	22-68-0225	Cover - Electrical	(1)
13	06-81-0080	Cover Screw	(1)
14	06-95-0338	10-24 x 1/2" Pan Hd. Taptite	(2)
15	42-92-1340	Hook Hole Cover	(1)
16	14-36-0140	Hook Assembly w/Latch	(1)
17	14-47-0145	Latch Kit	(1)
18	43-44-0830	Cover Gasket	(1)
19	10-37-0070	Milwaukee Label	(2)
20	10-98-6590	Warning Label	(1)
21	43-92-5084	Lug Assembly (Includes #15)	(1)

NOTE:
 Capacitor
 Covers (39)
 share common
 center hole and
 screw (46)

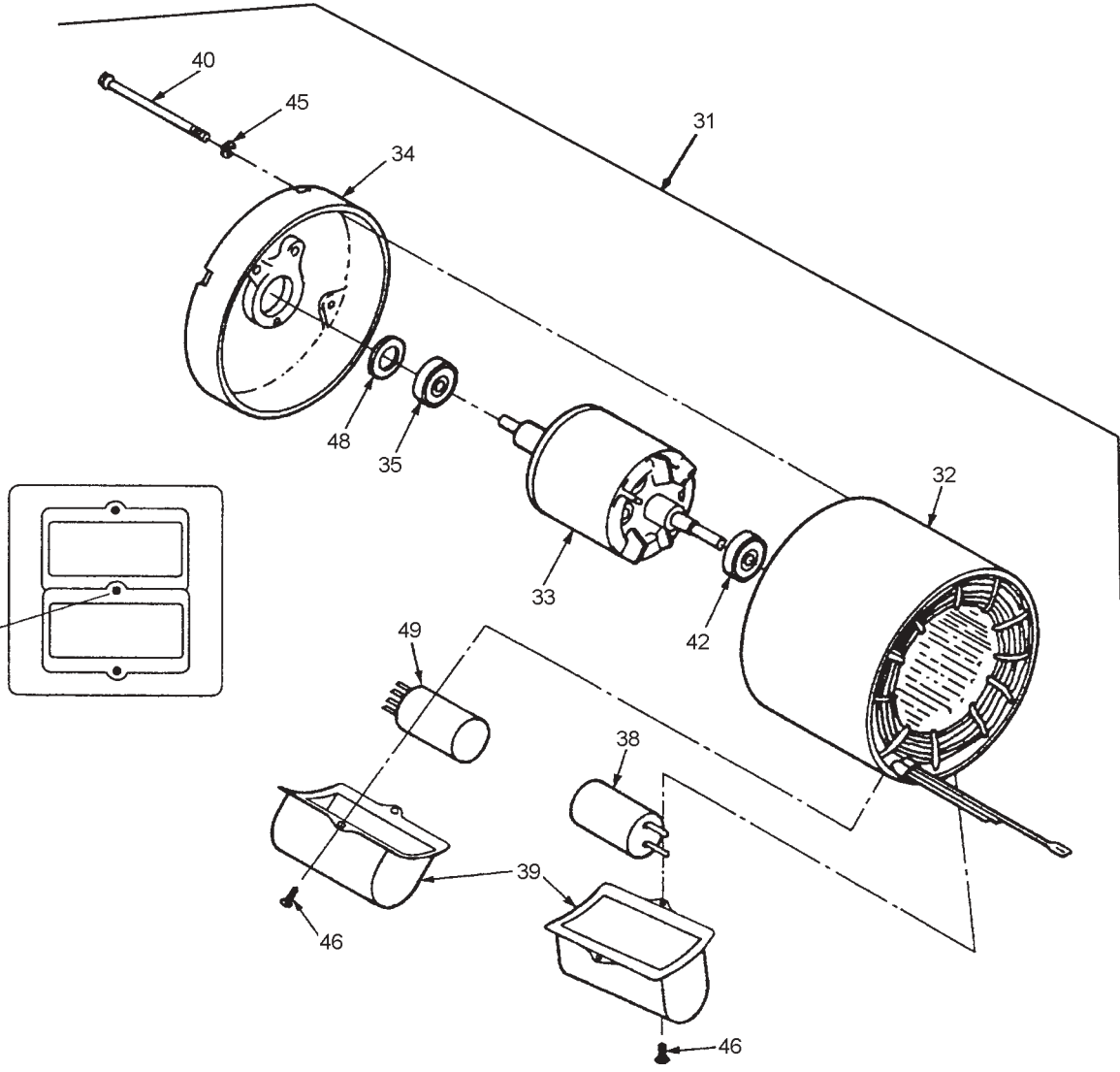


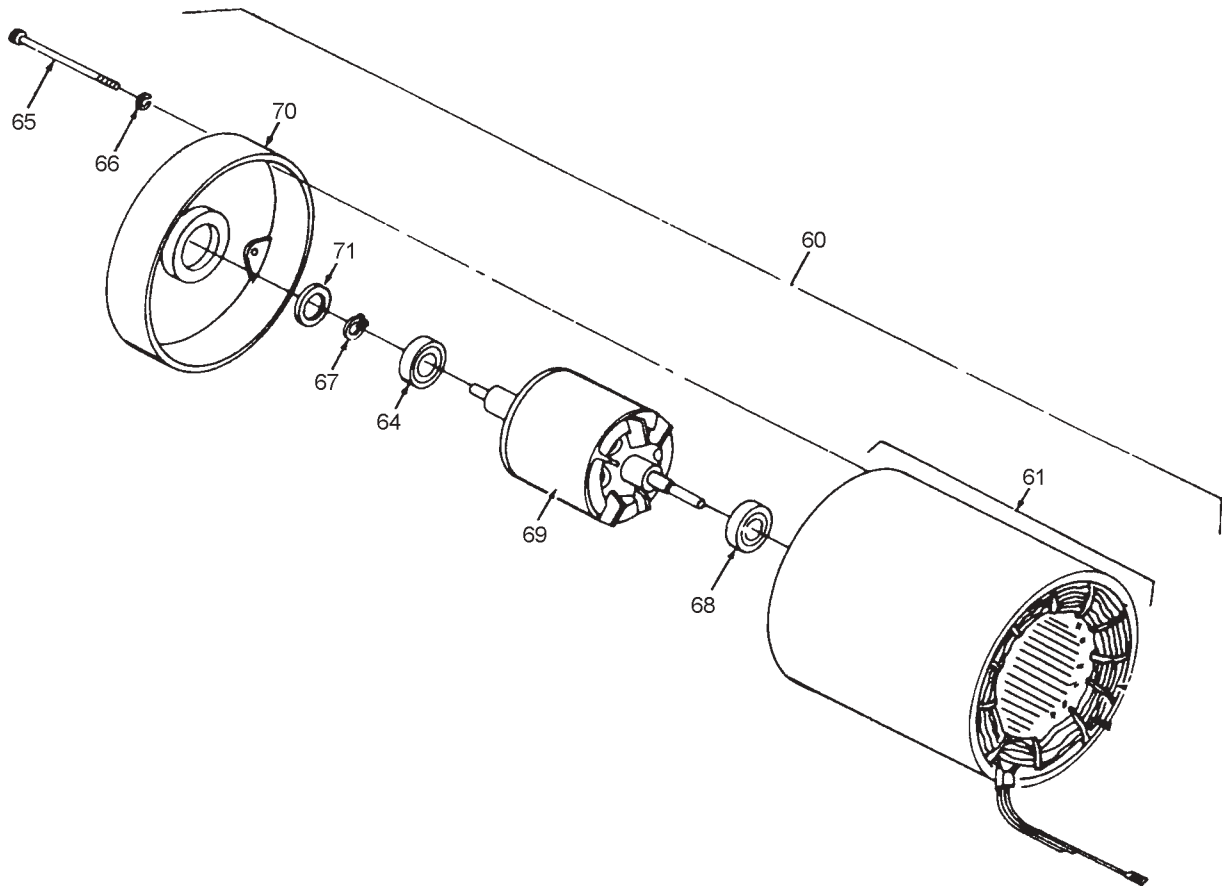
FIG.	PART NO.	DESCRIPTION OF PART	QTY.
32	-----	Not Available	---
33	-----	Not Available	---
34	-----	Not Available	---
35	-----	Not Available	---
38	-----	Not Available	---
39	-----	Not Available	---
40	-----	Not Available	---
42	-----	Not Available	---
45	-----	Not Available	---
46	-----	Not Available	---
48	-----	Not Available	---
49	23-66-2505	Sinpac Switch	(1)

FOR CATALOG NOS. 9560, 9561 & 9562

31	23-30-0210	1/2 HP 115/230V 60 Hz Motor	(1)
----	------------	-----------------------------	-----

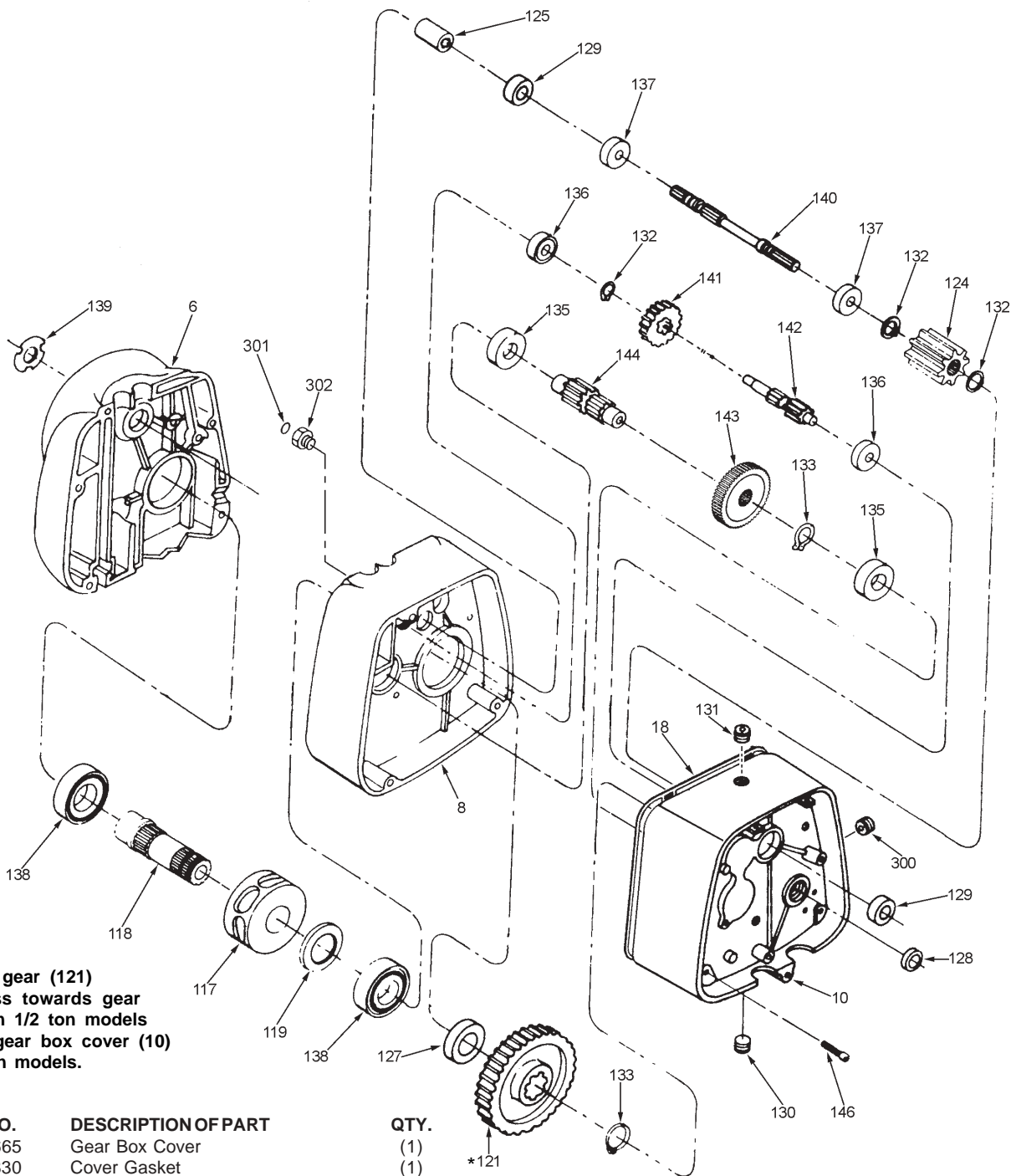
FOR CATALOG NOS. 9565, 9567, 9568, 9570, 9572 & 9573

31	23-30-0220	1 HP 115/230V 60 Hz Motor	(1)
----	------------	---------------------------	-----



FOR CATALOG NO. 9566 & 9571

FIG.	PART NO.	DESCRIPTION OF PART	QTY.
60	23-30-0230	1 HP 230/460V, 3 Phase Motor	(1)
61	-----	Not Available	---
64	-----	Not Available	---
65	-----	Not Available	---
66	-----	Not Available	---
67	-----	Not Available	---
68	-----	Not Available	---
69	-----	Not Available	---
70	-----	Not Available	---
71	-----	Not Available	---



*** NOTE:**
 Orient output gear (121) with long boss towards gear housing (8) on 1/2 ton models and towards gear box cover (10) on 1 and 2 ton models.

FIG.	PART NO.	DESCRIPTION OF PART	QTY.
10	42-92-0665	Gear Box Cover	(1)
18	43-44-0830	Cover Gasket	(1)
118	36-50-0010	Load Shaft	(1)
124	42-04-3570	Adapter	(1)
125	42-90-0240	Motor Coupling	(1)
127	45-06-0400	Oil Seal	(1)
128	45-06-0410	Oil Seal	(1)
129	45-06-0420	Oil Seal	(2)
130	44-68-0530	Drain Plug 3/8" N.P.T.	(1)
131	44-68-0590	Oil Fill Plug	(1)
132	34-60-1400	Retaining Ring	(3)
133	34-60-2480	Retaining Ring	(2)
135	02-04-1765	Ball Bearing	(2)
136	02-04-1030	Ball Bearing	(2)
137	02-04-1705	Ball Bearing	(2)
138	02-04-2300	Ball Bearing	(2)
139	40-50-8100	Bearing Spring	(1)
140	32-60-2320	Input Pinion	(1)
141	32-60-2325	High Speed Gear	(1)
144	32-60-2340	Output Pinion	(1)
145	50-08-7642	24oz. Lubricant	(1)
146	06-95-5710	Hex Washer Head Screw	(4)
300	44-68-0600	Oil Level Check Plug	(1)
301	34-40-4560	O-Ring	(1)
302	43-33-0530	Pressure Relief Fitting	(1)

FOR CATALOG NOS. 9560, 9561 & 9562

FIG.	PART NO.	DESCRIPTION OF PART	QTY.
6	43-76-0470	Sheave Housing	(1)
8	43-76-0480	Gear Housing	(1)
117	45-11-0110	Load Sheave	(1)
121	32-60-2310	Output Gear	(1)
142	32-60-2330	Intermediate Speed Pinion	(1)
143	14-08-0150	Overload Clutch Assembly	(1)

FOR CATALOG NOS. 9565, 9566, 9567, 9568, 9570, 9571, 9572 & 9573

FIG.	PART NO.	DESCRIPTION OF PART	QTY.
6	43-76-0510	Sheave Housing	(1)
8	43-76-0490	Gear Housing	(1)
117	45-11-0120	Load Sheave	(1)
119	45-36-1340	Chain Spacer	(1)
121	32-60-2315	Output Gear	(1)
142	32-60-2335	Intermediate Speed Pinion	(1)
143	14-08-0160	Overload Clutch Assembly	(1)

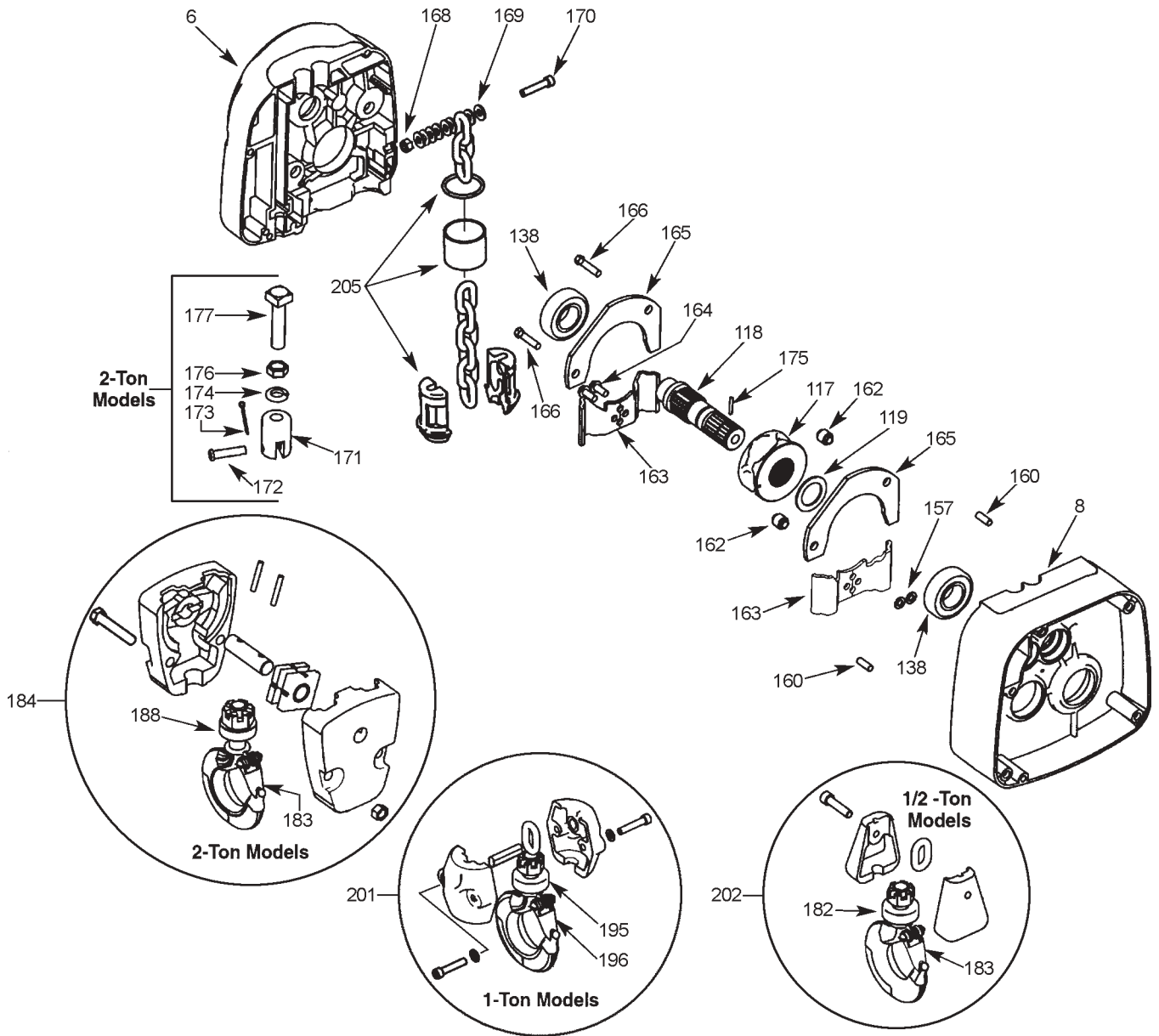


FIG.	PART NO.	DESCRIPTION OF PART	QTY.
118	36-50-0010	Load Shaft	(1)
138	02-04-2300	Ball Bearing	(2)
160	06-65-3515	Dowel Pin 1/4" x 3/4"	(4)
162	45-36-1350	Chain Guide Spacer	(2)
164	06-95-0095	1/2"-20 x 5/8" Hex Hd. Thd Form. Scrw.	(2)
166	06-95-5647	1/4"-20 x 1-1/8" Thread Forming Screw	(2)
168	06-57-6070	Dead End Nut	(1)
169	45-88-5220	1/4" Flat Washer	(8)
170	06-81-0090	Dead End Screw	(1)
171	45-60-0490	Chain Support	(1)
172	44-60-1030	Chain Support Pin	(1)
173	44-60-1040	Cotter Pin	(1)
174	06-97-4200	1/2" Split Ring Lockwasher	(1)
175	06-65-1535	Roll Pin 1/8" x 3/4"	(1)
176	06-57-7520	1/4"-20 Jam Nut	(1)
177	45-04-0780	Chain Support Screw	(1)

FOR CATALOG NOS. 9560, 9561 & 9562

FIG.	PART NO.	DESCRIPTION OF PART	QTY.
6	43-76-0470	Sheave Housing	(1)
8	43-76-0480	Gear Housing	(1)
117	45-11-0110	Load Sheave	(1)
118	06-97-2600	Washer	(2)
163	43-56-0440	Chain Guide	(2)
165	44-66-5655	Chain Guide Plate	(2)
182	14-36-0180	Bottom Hook w/Latch Assembly	(1)
183	14-47-0590	Latch Kit	(1)
202	14-47-0630	Load Block Kit	(1)
205	14-47-1245	End Stop Kit	(1)

FOR CATALOG NOS. 9565, 9566, 9567 & 9568

FIG.	PART NO.	DESCRIPTION OF PART	QTY.
6	43-76-0510	Sheave Housing	(1)
8	43-76-0490	Gear Housing	(1)
117	45-11-0120	Load Sheave	(1)
119	45-36-1340	Chain Spacer	(1)
163	43-56-0450	Chain Guide	(2)
165	44-66-5656	Chain Guide Plate	(2)
195	14-36-0180	Hook & Latch Assembly	(1)
196	14-47-0590	Latch Kit	(1)
201	42-28-0290	Load Block Kit	(1)
205	14-47-1250	End Stop Kit	(1)

FOR CATALOG NOS. 9570, 9571, 9572 & 9573

FIG.	PART NO.	DESCRIPTION OF PART	QTY.
6	43-76-0510	Sheave Housing	(1)
8	43-76-0490	Gear Housing	(1)
117	45-11-0120	Load Sheave	(1)
119	45-36-1340	Chain Spacer	(1)
163	43-56-0450	Chain Guide	(2)
165	44-66-5656	Chain Guide Plate	(2)
183	14-47-0590	Latch Kit	(1)
184	14-47-0620	Load Block Kit	(1)
188	14-36-0170	Bottom Hook w/Latch Assembly	(1)
190	14-73-0220	Sheave Shaft Assembly	(1)
205	14-47-1250	End Stop Kit	(1)

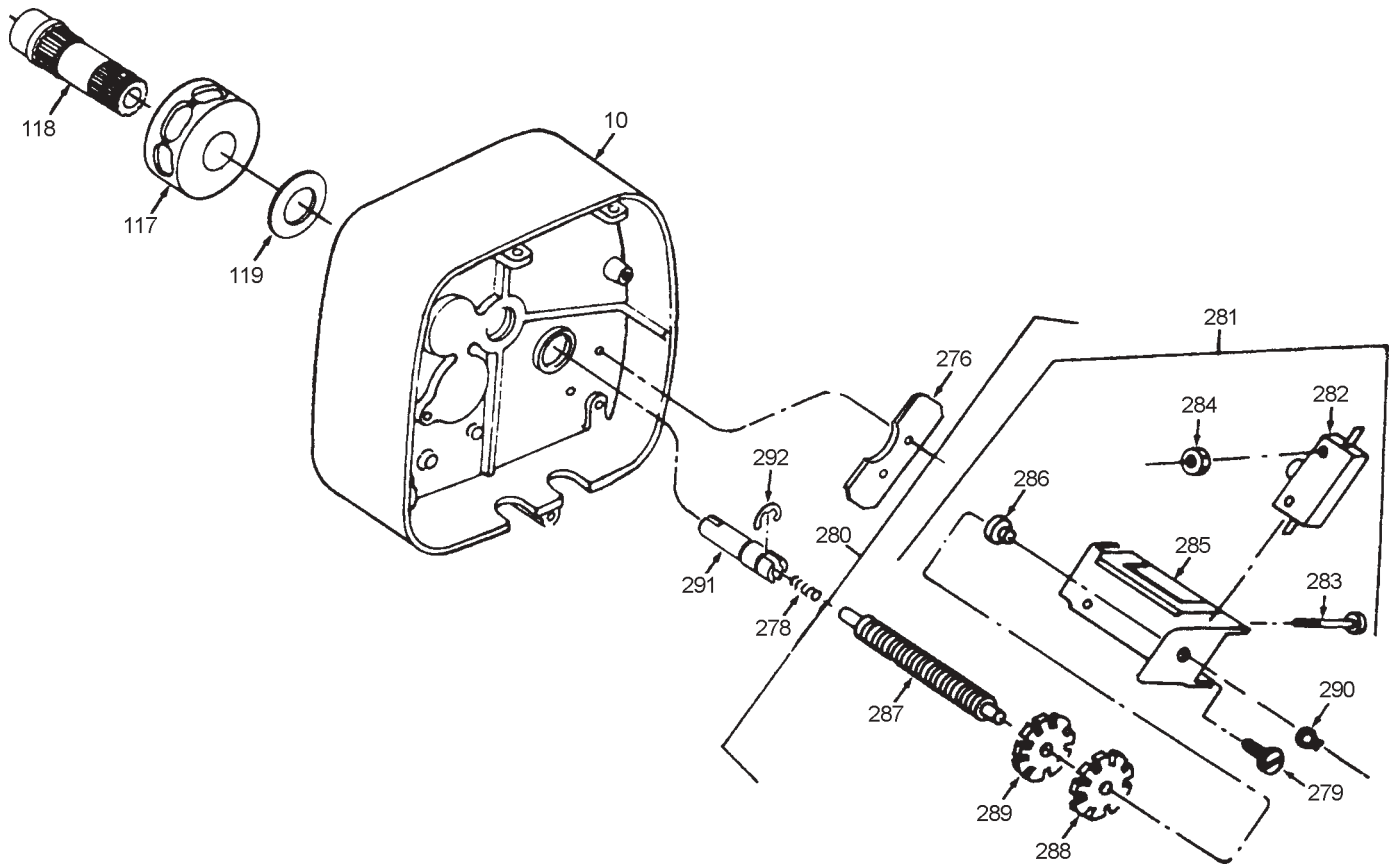


FIG.	PART NO.	DESCRIPTION OF PART	QTY.
10	42-92-0665	Gear Box Cover	(1)
274	36-50-0010	Load Shaft Assembly	(1)
276	43-86-0130	Insulator	(1)
278	40-50-8090	Spring	(1)
279	06-95-0338	10-24 x 1/2" Thrd. Form. Taptite Scrw.	(2)
280	14-73-0210	Limit Switch & Shaft (Incl. Fig. 281-290)	(1)
281	14-78-0340	Limit Switch Assy. (Incl. Fig. 282-286)	(1)
282	23-66-1550	Switch	(2)
283	06-81-0725	6-32 x 1" Fillister Head	(4)
284	06-57-6059	6-32 Lock Nut	(4)
285	23-66-1555	Limit Switch Bracket	(1)
286	42-40-0910	Bushing	(1)
287	45-08-0280	Limit Switch Shaft	(1)
288	44-40-0636	Limit Switch Nut - Gold	(1)
289	44-40-0641	Limit Switch Nut - Silver	(1)
290	34-60-0510	Retaining Ring	(1)
291	45-08-0290	Limit Switch Stud Shaft	(1)
292	34-60-2470	E-Ring	(1)

FOR CATALOG NOS. 9560, 9561 & 9562

FIG.	PART NO.	DESCRIPTION OF PART	QTY.
117	45-11-0110	Load Sheave	(1)

FOR CATALOG NOS. 9565, 9566, 9567, 9568,
9570, 9571, 9572 & 9573

FIG.	PART NO.	DESCRIPTION OF PART	QTY.
117	45-11-0120	Load Sheave	(1)
119	45-36-1340	Chain Spacer	(1)

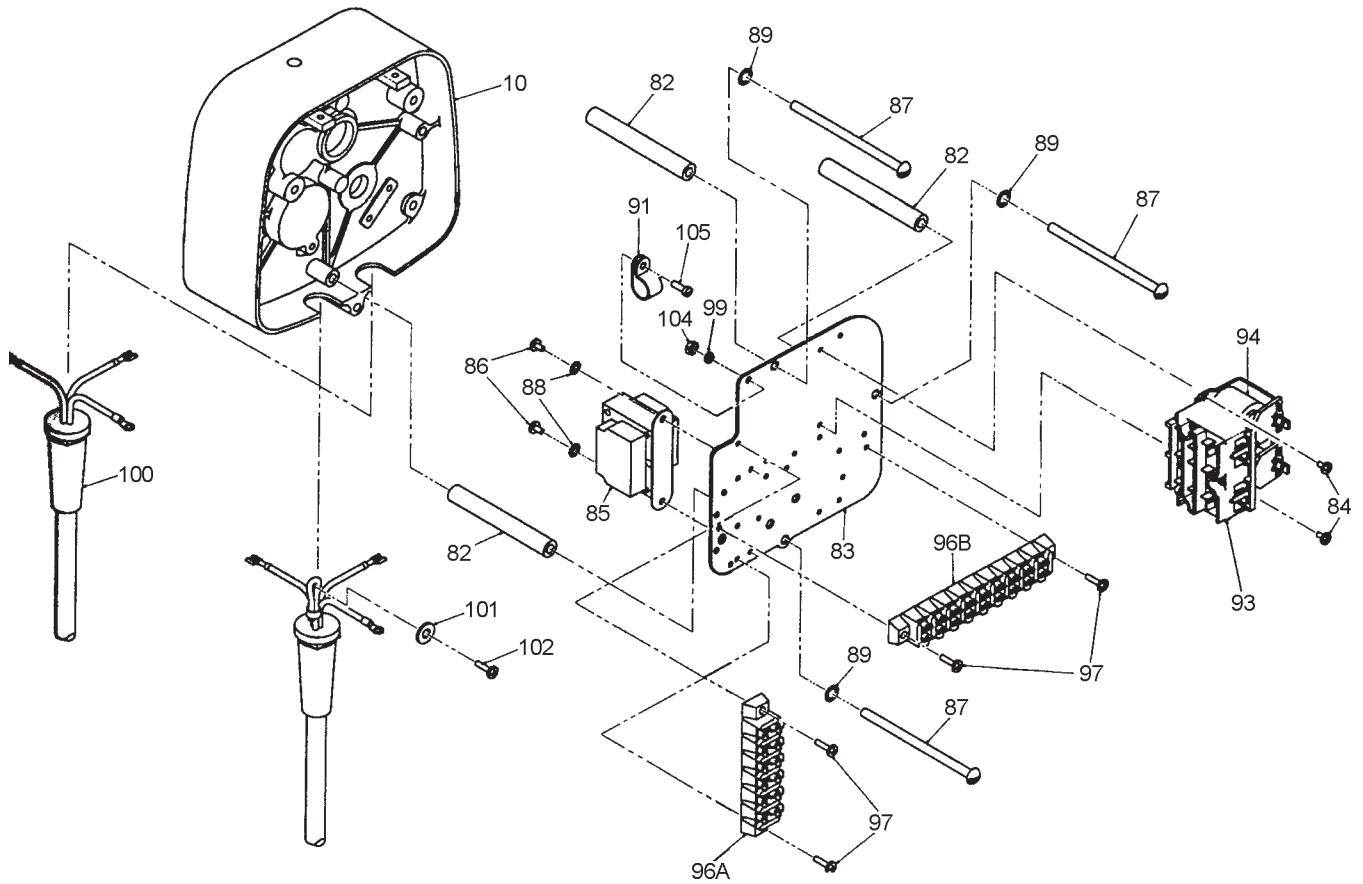


FIG.	PART NO.	DESCRIPTION OF PART	QTY.
10	42-92-0665	Gear Box Cover	(1)
82	45-36-1330	Standoff Spacer	(3)
83	44-66-5650	Electrical Panel Plate	(1)
84	06-81-4564	Screw	(3)
86	06-81-4564	Screw	(2)
87	06-81-4760	1/4"-20 x 4-1/4" Round Head Screw	(3)
88	06-97-4158	Lockwasher	(2)
89	06-97-2600	1/4" Internal Tooth Lockwasher	(3)
91	42-68-0575	Cable Clamp	(1)
93	22-58-0095	Contactor - 24 Volt	(1)
94	22-51-0205	Coil - 24 Volt	(1)
97	06-81-5700	10-24 x 5/8" Pan Hd. Screw	(2)
99	06-97-3200	#8 Split Ring Lockwasher	(1)
101	45-88-5220	1/4" Flat Washer	(1)
102	06-95-0338	10-24 x 1/2" Pan Hd. Taptite screw	(1)
104	06-55-0830	8-32 Hex Nut	(1)
105	06-81-0910	8-32 x 1/2" Fillister Head	(1)

FOR CATALOG NOS. 9566 & 9571

FIG.	PART NO.	DESCRIPTION OF PART	QTY.
85	23-81-0232	Transformer	(1)
96	22-56-0575	Connector Terminal Block	(1)
100	22-64-2890	Cord Set	(1)

FOR CATALOG NOS. 9560, 9561, 9562

FIG.	PART NO.	DESCRIPTION OF PART	QTY.
85	23-81-0212	Transformer	(1)
96	22-56-0565	Connector Terminal Block	(1)
100	22-64-6420	Cord Set	(1)

FOR CATALOG NOS. 9565, 9567, 9568, 9570, 9572 & 9573

FIG.	PART NO.	DESCRIPTION OF PART	QTY.
85	23-81-0212	Transformer	(1)
96	22-56-0565	Connector Terminal Block	(1)
100	22-64-2420	Cord Set	(1)

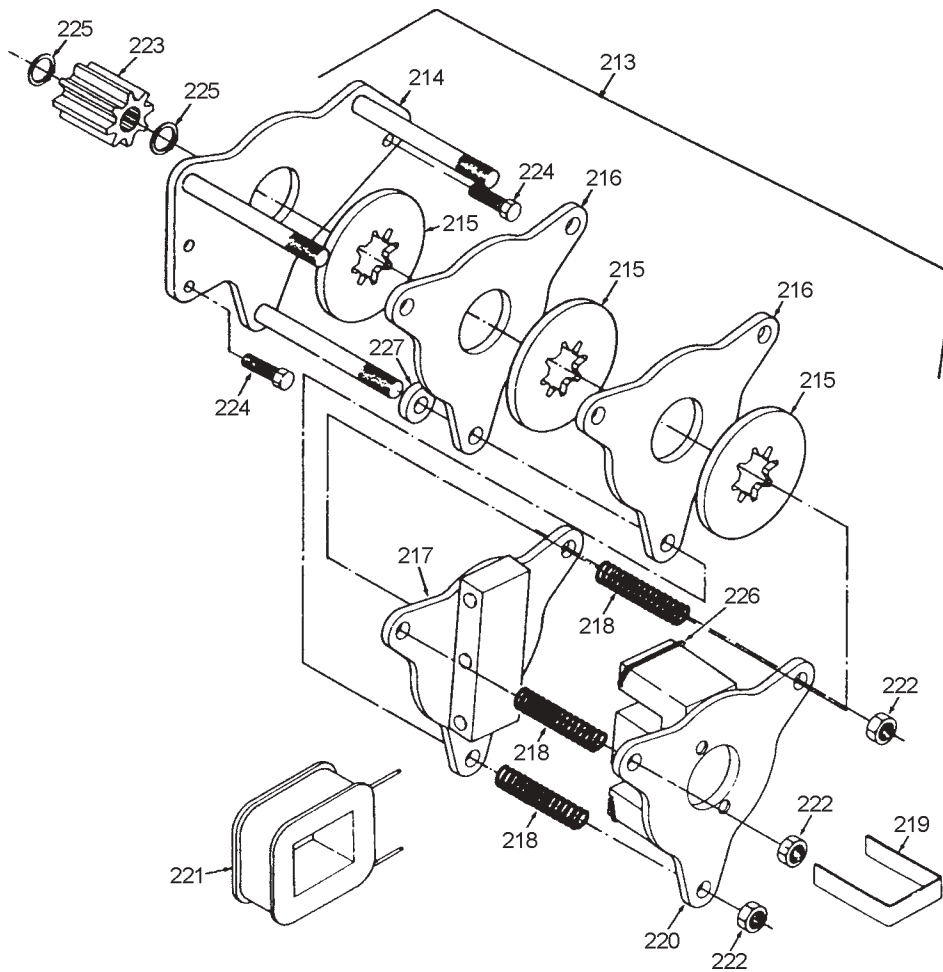


FIG.	PART NO.	DESCRIPTION OF PART	QTY.
214	14-67-0230	Plate & Stud Assembly	(1)
216	44-66-5660	Brake Plate	(2)
217	14-67-0240	Plate & Armature Assembly	(1)
218	40-50-8110	Spring	(3)
219	44-86-0500	Retainer	(1)
220	14-67-0250	Plate & Frame Assembly	(1)
222	06-57-3978	Lock Nut	(3)
223	42-04-3570	Adapter	(1)
224	06-95-0095	1/2"-20 x 5/8" Hex Hd. Thrd. Forming	(2)
225	34-60-1400	Retaining Ring	(2)
226	22-51-0230	Shading Coil	(2)
226A	42-56-7812	Adhesive (Not Shown)	(1)

FOR CATALOG NOS. 9560, 9561 & 9562

FIG.	PART NO.	DESCRIPTION OF PART	QTY.
213	14-04-0030	Disk Brake Assembly	(1)
215	43-06-0580	Brake & Disc	(2)
221	22-51-0210	Coil 115/230V 60 Hz	(1)
227	45-36-1360	Spacer	(3)

FOR CATALOG NOS. 9565, 9567, 9568, 9570, 9572 & 9573

FIG.	PART NO.	DESCRIPTION OF PART	QTY.
213	14-04-0040	Disc Brake Assembly	(1)
215	43-06-0580	Brake & Disc	(3)
221	22-51-0210	Coil 115/230V 60 Hz	(1)

FOR CATALOG NOS. 9566 & 9571

FIG.	PART NO.	DESCRIPTION OF PART	QTY.
213	14-04-0050	Disc Brake Assembly	(1)
215	43-06-0580	Brake & Disc	(3)
221	22-51-0220	Coil 230/460V 3 Phase 60 Hz	(1)

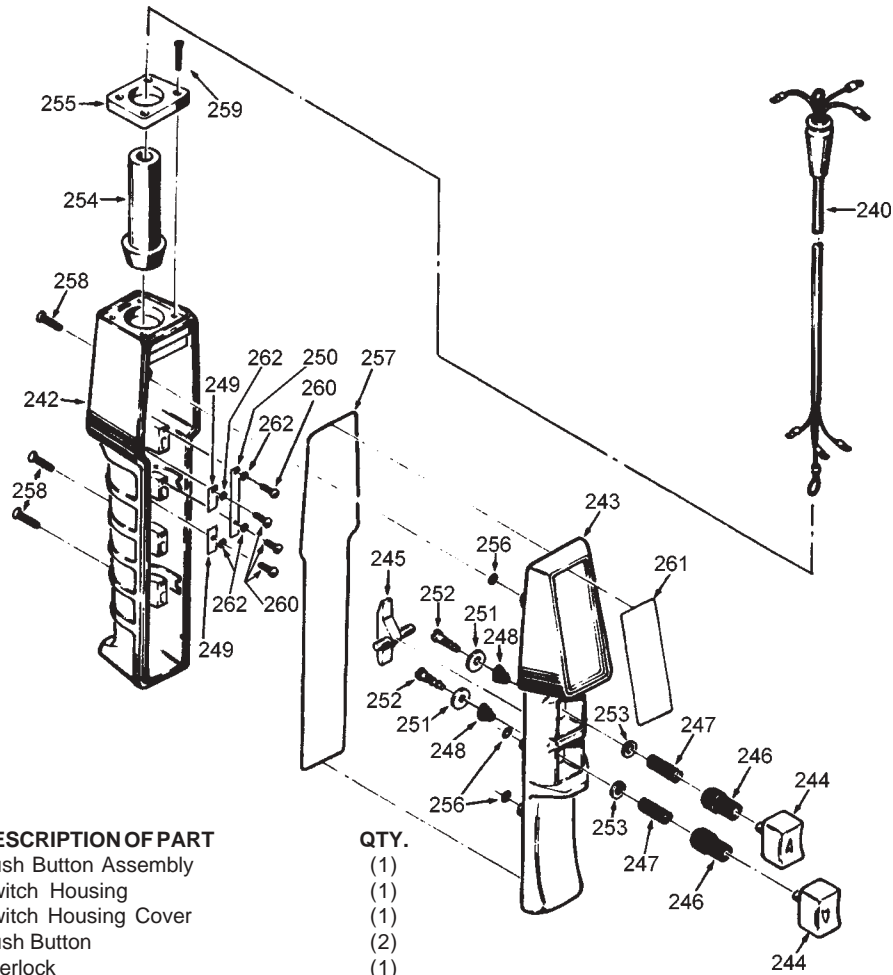


FIG.	PART NO.	DESCRIPTION OF PART	QTY.
241	23-37-0140	Push Button Assembly	(1)
242	43-76-0500	Switch Housing	(1)
243	42-92-0720	Switch Housing Cover	(1)
244	42-42-0300	Push Button	(2)
245	44-20-0250	Interlock	(1)
246	45-06-0430	Dust Shield	(2)
247	40-50-8140	Compression Spring	(2)
248	40-50-8150	Conical Spring	(2)
249	44-66-5710	Switch Contact	(2)
250	44-66-5720	Switch Contact Common	(1)
251	45-88-8100	Contact Washer	(2)
252	06-95-0045	Contact Screw	(2)
253	45-06-0440	Boot Seal	(2)
254	22-90-0190	Grommet	(1)
255	22-32-0360	Cap	(1)
256	34-40-4150	O-Ring	(3)
257	45-06-0450	Seal	(1)
258	06-95-5335	10-3/4" Flat Hd. Self Tapping Screw	(3)
259	06-95-0132	6-5/8" Flat Hd. Self Tapping Screw	(4)
260	06-95-0043	4-3/8" Round Hd. Self Tapping Screw	(4)
261	10-37-0090	Warning Label	(1)
262	06-97-0450	#4 External Tooth Lock Washer	(4)

FOR CATALOG NO. 9560

FIG.	PART NO.	DESCRIPTION OF PART	QTY.
239	14-05-0020	Pushbutton & Cable Assy. 10'	(1)
240	22-64-2850	Cable Assy. 10'	(1)

FOR CATALOG NO. 9561

FIG.	PART NO.	DESCRIPTION OF PART	QTY.
239	14-05-0030	Pushbutton & Cable Assy. 15'	(1)
240	22-64-2860	Cable Assy. 15'	(1)

FOR CATALOG NOS. 9562

FIG.	PART NO.	DESCRIPTION OF PART	QTY.
239	14-05-0040	Pushbutton & Cable Assy. 20'	(1)
240	22-64-2870	Cable Assy. 20'	(1)

FOR CATALOG NOS. 9565 & 9566

FIG.	PART NO.	DESCRIPTION OF PART	QTY.
239	14-05-0020	Pushbutton & Cable Assy. 10'	(1)
240	22-64-2850	Cable Assy. 10'	(1)

FOR CATALOG NO. 9567

FIG.	PART NO.	DESCRIPTION OF PART	QTY.
239	14-05-0030	Pushbutton & Cable Assy. 15'	(1)
240	22-64-2860	Cable Assy. 15'	(1)

FOR CATALOG NO. 9568

FIG.	PART NO.	DESCRIPTION OF PART	QTY.
239	14-05-0040	Pushbutton & Cable Assy. 20'	(1)
240	22-64-2870	Cable Assy. 20'	(1)

FOR CATALOG NO. 9570 & 9571

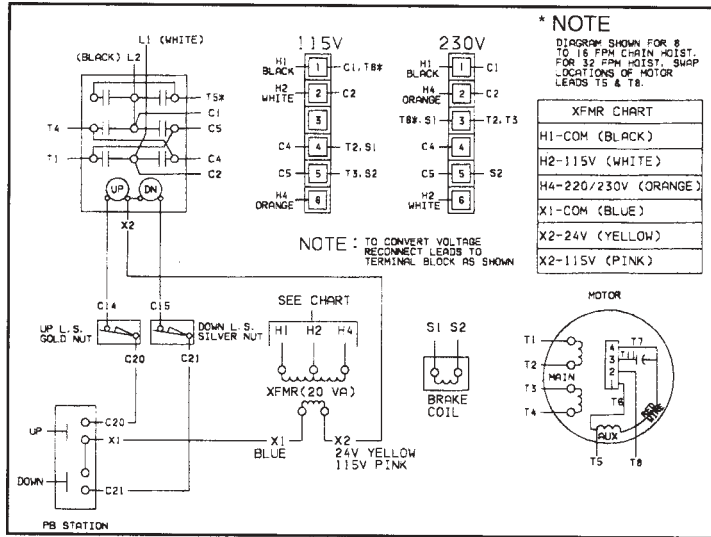
FIG.	PART NO.	DESCRIPTION OF PART	QTY.
239	14-05-0020	Pushbutton & Cable Assy. 10'	(1)
240	22-64-2850	Cable Assy. 10'	(1)

FOR CATALOG NO. 9572

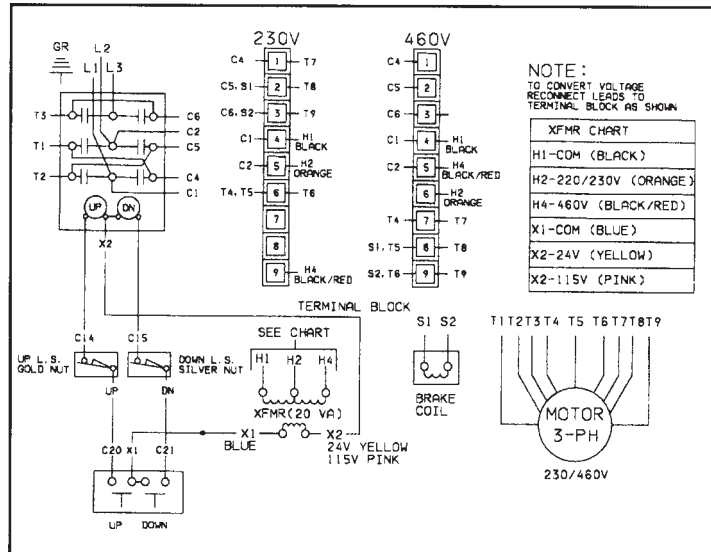
FIG.	PART NO.	DESCRIPTION OF PART	QTY.
239	14-05-0030	Pushbutton & Cable Assy. 15'	(1)
240	22-64-2860	Cable Assy. 15'	(1)

FOR CATALOG NO. 9573

FIG.	PART NO.	DESCRIPTION OF PART	QTY.
239	14-05-0040	Pushbutton & Cable Assy. 20'	(1)
240	22-64-2870	Cable Assy. 20'	(1)



115 / 230V, Single Phase (6-Wire Motor)



230 / 460V, Three Phase