



SERVICE PARTS LIST

BULLETIN NO.
54-02-0130

SPECIFY CATALOG NO. AND SERIAL NO. WHEN ORDERING PARTS		REVISED BULLETIN	DATE
3/4 TON LEVER HOISTS			July '98
CATALOG NOS. 9682-20, 9683-20 and 9684-20	STARTING SERIAL NO. C-1NC	WIRING INSTRUCTION N/A	

00 0

EXAMPLE:
Component Parts
(Small #) Are Included
When Ordering The
Assembly (Large #).

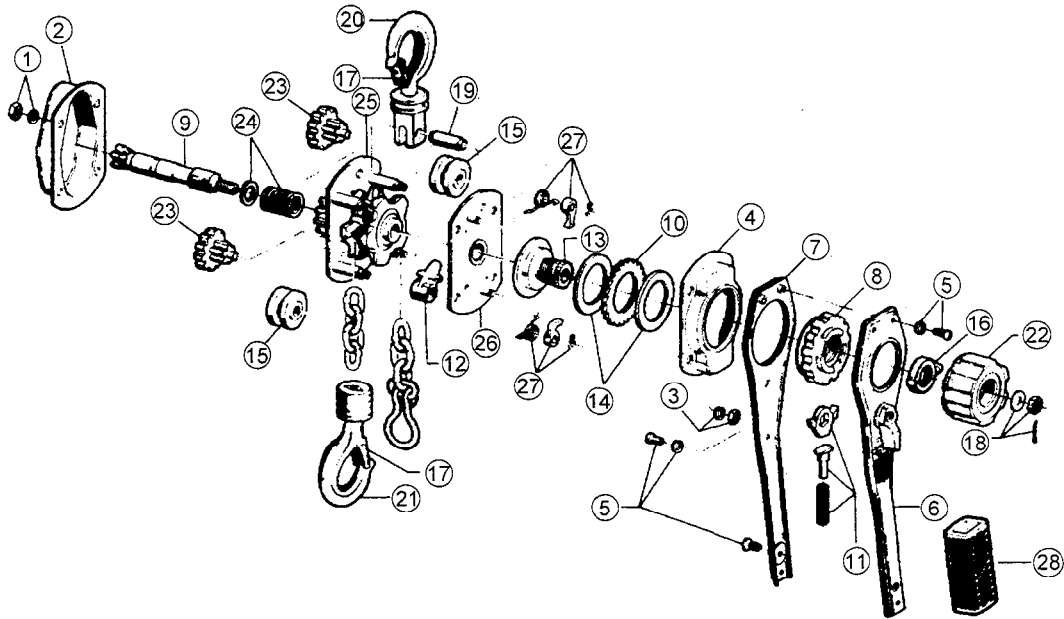


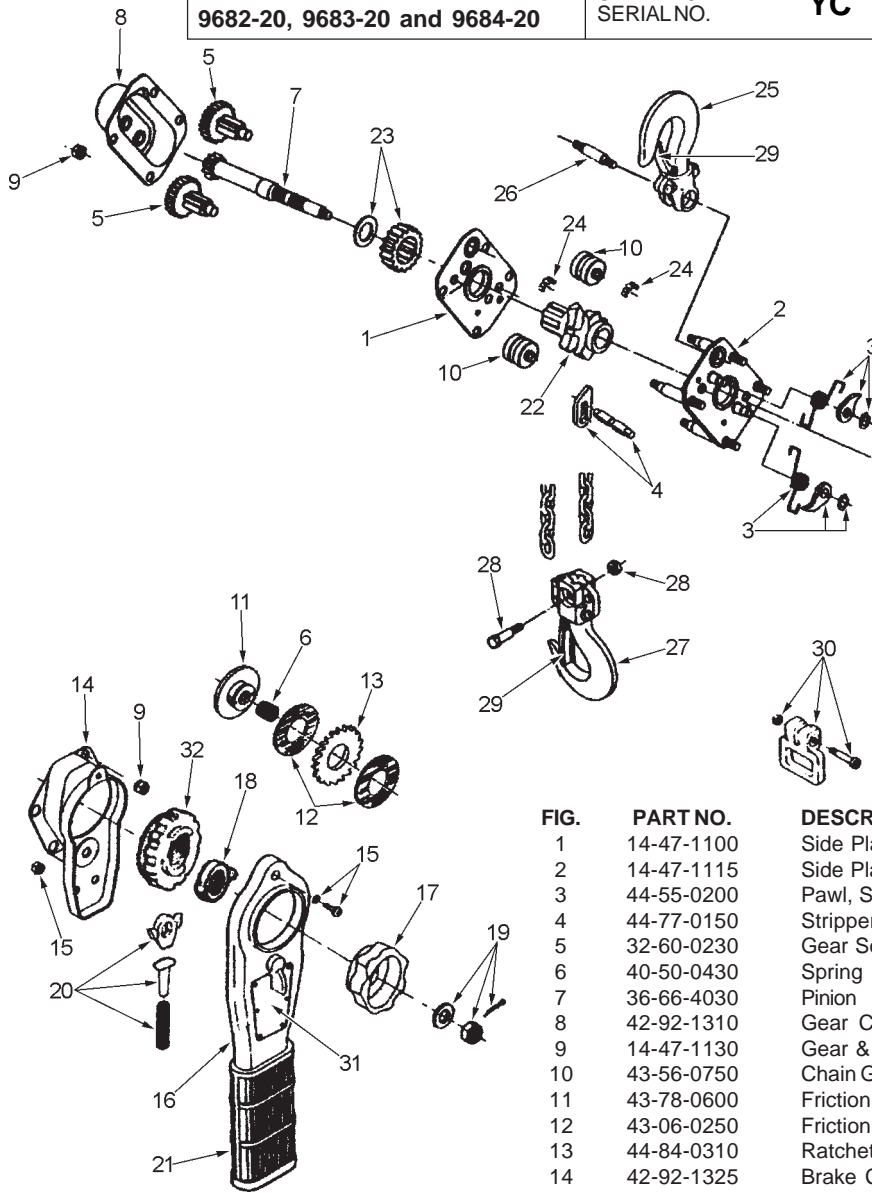
FIG.	PART NO.	DESCRIPTION OF PART	QTY	FIG.	PART NO.	DESCRIPTION OF PART	QTY
1	14-47-0970	Gear Cover Hardware Kit	(1)	17	14-47-0995	Hook Latch Kit (3/4 Ton)	(2)
2	42-92-1235	Gear Cover	(1)	18	14-47-0985	Brake Nut Washer	(1)
3	14-47-0975	Brake Cover Hardware Kit	(1)	19	44-60-1620	Upper Hook Pin	(1)
4	42-92-1250	Brake Cover	(1)	20	14-36-0280	Upper Hook Assembly	(1)
5	14-47-0980	Lever Hardware Kit	(1)	21	14-36-0285	Lower Hook Assembly	(1)
6	31-44-2140	Lever Assembly Front	(1)	22	43-98-0655	Free Chaining Knob	(1)
7	31-44-2145	Lever Assembly Rear	(1)	23	32-60-2680	Gear Set (3/4 Ton)	(1)
8	43-78-0545	Lever Ratchet Hub	(1)	24	40-50-8926	Spring with Seat	(1)
9	36-66-9691	Pinion Shaft	(1)	25	14-47-1045	Side Plate Assembly (Gear Side)	(1)
10	44-84-0300	Ratchet	(1)	26	14-47-1050	Side Plate Assembly (Brake Side)	(1)
11	14-47-0990	Hub Ratchet Pawl Kit	(1)	27	14-47-1055	Pawl with Spring and Retainer Ring	(2)
12	44-77-0130	Stripper	(1)	28	43-62-0255	Handle Grip	(1)
13	43-78-0540	Friction Hub	(1)	---	10-15-1525	Warning Tube, Spanish (not shown)	(1)
14	43-06-0700	Friction Disc	(2)	---	10-15-1530	Warning Tube, French (not shown)	(1)
15	43-56-0595	Chain Guide Roller	(2)	---	12-20-9682	Capacity / Warning Label (not shown)	(1)
16	43-56-0610	Cam Guide (3/4 Ton)	(1)	---	10-20-9700	Free Chaining Tag, English (not shown)	(1)
				---	10-20-9705	Free Chaining Tag, French (not shown)	(1)
				---	10-20-9710	Free Chaining Tag, Spanish(not shown)	(1)



SERVICE PARTS LIST

BULLETIN NO.
54-02-0131

SPECIFY CATALOG NO. AND SERIAL NO. WHEN ORDERING PARTS		REVISED BULLETIN	DATE
3/4 TON LEVER HOISTS		54-02-0130	Sept. 2002
CATALOG NOS. 9682-20, 9683-20 and 9684-20	STARTING SERIAL NO. YC	WIRING INSTRUCTION	



00 | 0

EXAMPLE:
Component Parts
(Small #) Are Included
When Ordering The
Assembly (Large #).

FIG.	PART NO.	DESCRIPTION OF PART	QTY.
1	14-47-1100	Side Plate Assembly (gear side)	1
2	14-47-1115	Side Plate Assembly (brake side)	1
3	44-55-0200	Pawl, Spring & Retainer Ring	2
4	44-77-0150	Stripper	1
5	32-60-0230	Gear Set	1
6	40-50-0430	Spring	1
7	36-66-4030	Pinion	1
8	42-92-1310	Gear Cover w/Bushings	1
9	14-47-1130	Gear & Brake Cover Hardware Kit	1
10	43-56-0750	Chain Guide Roller	2
11	43-78-0600	Friction Hub	1
12	43-06-0250	Friction Disc	2
13	44-84-0310	Ratchet	1
14	42-92-1325	Brake Cover Assembly	1
15	14-47-1145	Lever Hardware Kit	1
16	44-10-0440	Lever Assembly	1
17	43-98-0740	Free Chaining Knob	1
18	45-88-1645	Check Washer	1
19	14-47-1160	Brake Nut Kit	1
20	14-47-1175	Directional Pawl Kit	1
21	43-62-1300	Lever Grip	1
22	14-47-1185	Liftwheel	1
23	14-47-1200	Liftwheel Gear Kit	1
24	14-47-1215	Liftwheel Roller Kit	1
25	14-36-0310	Upper Hook Assembly	1
26	44-60-1730	Upper Hook Pin	1
27	14-36-0325	Lower Hook Assembly	1
28	14-03-0165	Chain Bolt Kit	1
29	14-47-1230	Latch Kit	2
30	14-03-0180	Chain Stop Kit	1
31	12-20-1450	Nameplate Kit	1
32	43-78-0615	Lever Ratchet	1
	12-20-1465	Warning Label & Free Chain Tag Kit (Not Shown)	1