

# mitivac<sup>®</sup>

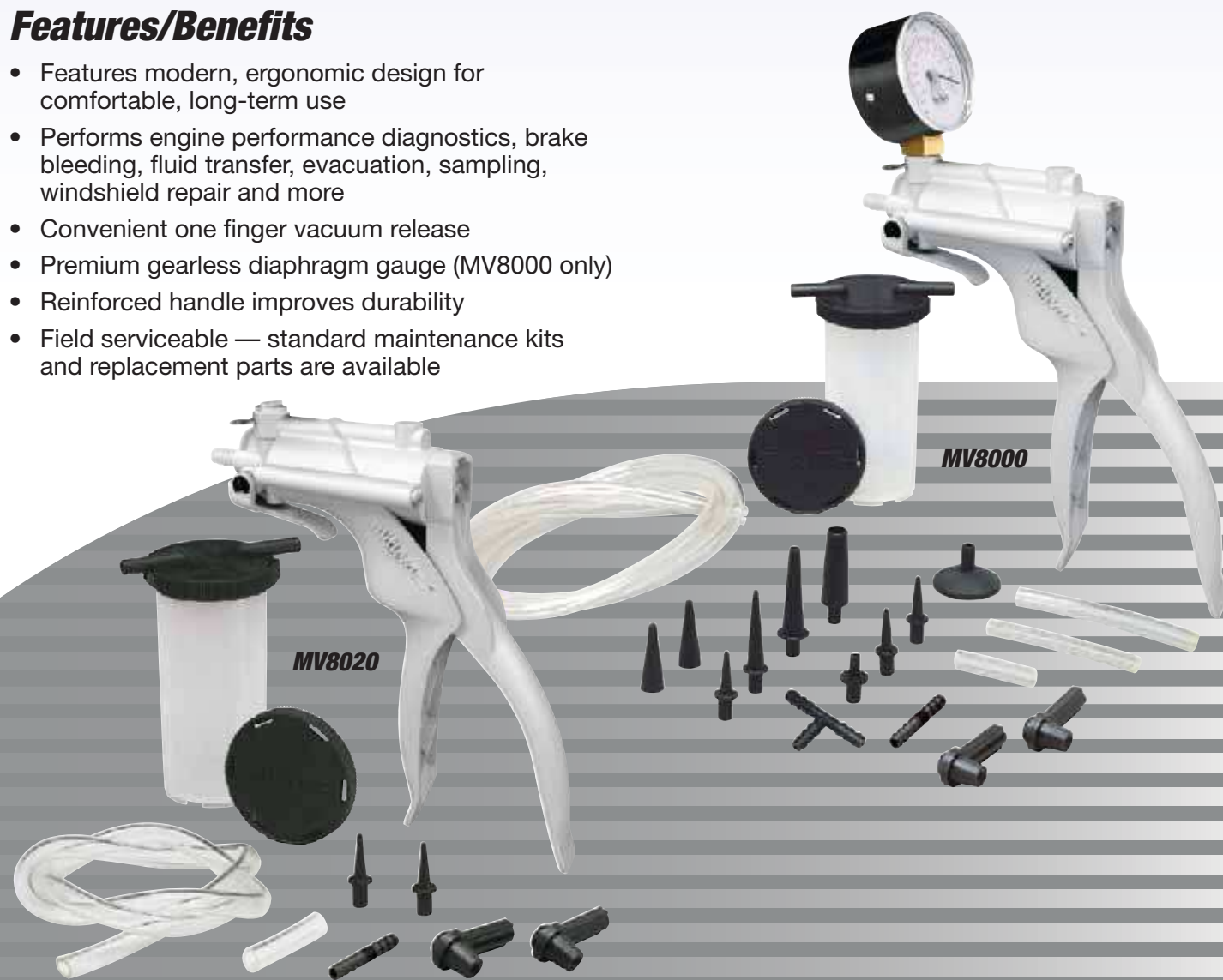
## ***MV8000 and MV8020 Automotive Test & Bleed Kits***

***Models MV8000 Automotive Test & Bleed Kit and MV8020 Brake Bleeding Kit feature newly updated Selectline hand vacuum pumps, designed with proven features that combine performance and comfort with tough, durable construction.***

***Both kits are great for performing one-person hydraulic brake and clutch bleeding, and for transferring fluids from tanks and reservoirs. In addition, model MV8000 includes features and accessories for performing numerous engine diagnostic and mechanical tests.***

### ***Features/Benefits***

- Features modern, ergonomic design for comfortable, long-term use
- Performs engine performance diagnostics, brake bleeding, fluid transfer, evacuation, sampling, windshield repair and more
- Convenient one finger vacuum release
- Premium gearless diaphragm gauge (MV8000 only)
- Reinforced handle improves durability
- Field serviceable — standard maintenance kits and replacement parts are available



# MV8000 and MV8020 Automotive Test & Bleed Kits

**Durable, accurate gearless diaphragm style gauge (MV8000 Only)**

**Gauge displays inches Hg and kpa units (MV8000 Only)**

**Pinned connection allows 360° gauge rotation for improved visibility (MV8000 Only)**

**Pivoting lever action maximizes output with minimal operator effort**

**Powerful inline piston design**

**One finger lever-action vacuum release**

**Durable, lightweight, non-corrosive PVC construction**

**Comfortable ergonomic handle reduces hand stress**

## **MV8000 includes:**

- Precision-made repairable vacuum pump with gauge (MV8010)
- Pumps up to 1 cubic inch (16cc) per stroke
- Develops and maintains up to 25" of Mercury vacuum
- 4-1/2 oz. Reservoir jar with fluid transfer and storage lid
- Two – 2 ft. long, 1/4" ID hoses
- Rubber cup adapter
- Two universal bleed screw adapters
- Vacuum "T" adapter
- Automotive test and bleed adapters
- User manual (English/Spanish/French)

## **MV8020 includes:**

- Precision-made repairable vacuum pump (MV8030)
- Pumps up to 1 cubic inch (16cc) per stroke
- Develops and maintains up to 25" of Mercury vacuum
- 4-1/2 oz. Reservoir jar with fluid transfer and storage lid
- 2 ft. long, 1/4" ID hose
- Two universal bleed screw adapters
- Two tapered bleed screw adapters
- 1 1/4" ID x 1 1/2" long (6.4 mm ID x 40 mm long) connection tube
- User manual (English/French/Spanish)

Both kits contain the advanced Mityvac hand vacuum pump, renown for its performance and features by technicians and service professionals worldwide.

In addition to these kits, Mityvac offers the following four models of Selectline pumps:



**MV8010 Vacuum Pump w/ Gauge**



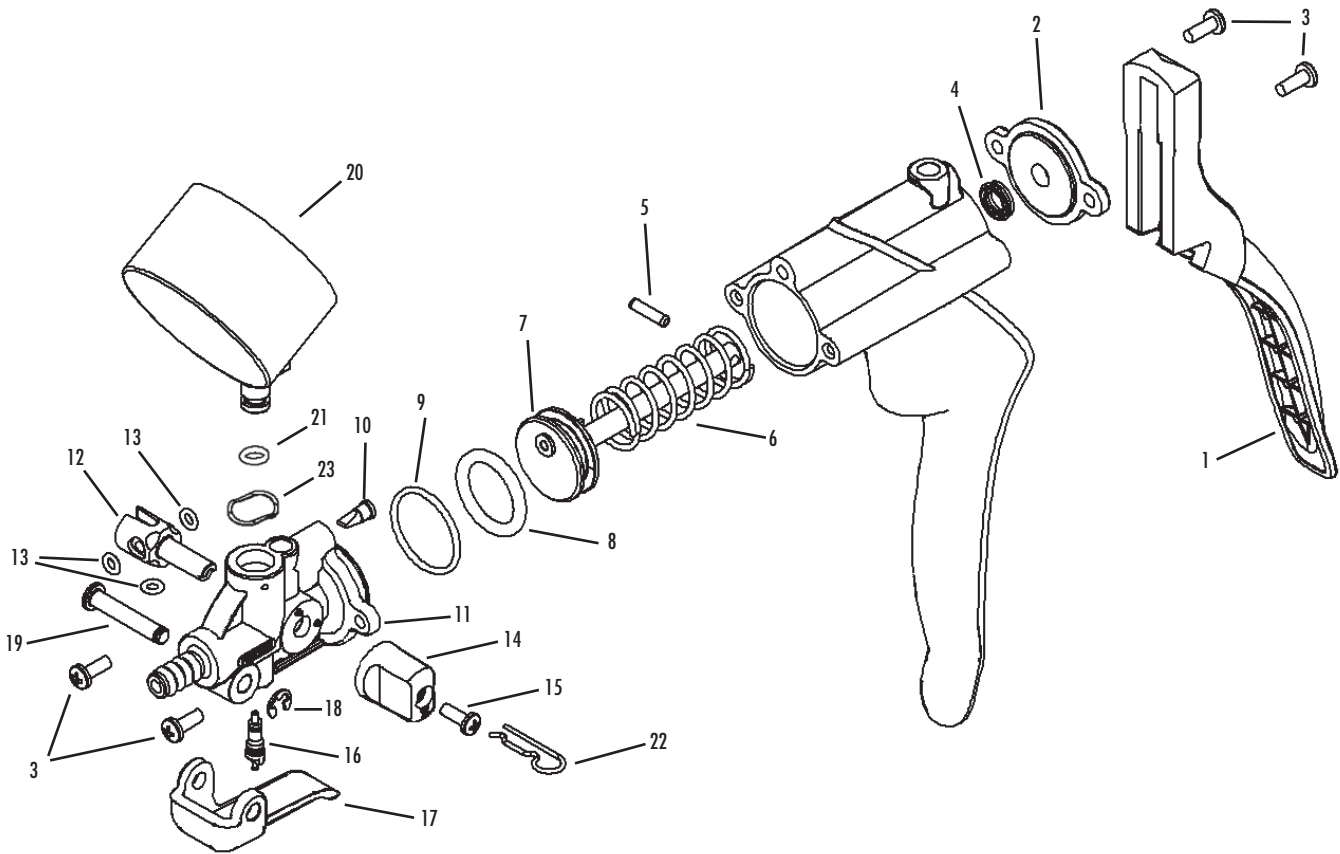
**MV8030 Vacuum Pump w/o Gauge**



**MV8255 Vacuum/Pressure Pump w/ Gauge**



**MV8121 Superpump Vacuum Pump w/o Gauge**



### PUMP SERVICE KITS

	1	2	3	4	5	6	7	8	9	10	11	12	13	14	15	16	17	18	19	20	21	22	23	
824551	X																							
MVM8903			X	X	X	X	X	X	X	X	X	X	X	X	X	X								
MVA6181																				X	X	X	X	
824552																	X	X	X					
824553		X																						
824493																X								

Patent Pending