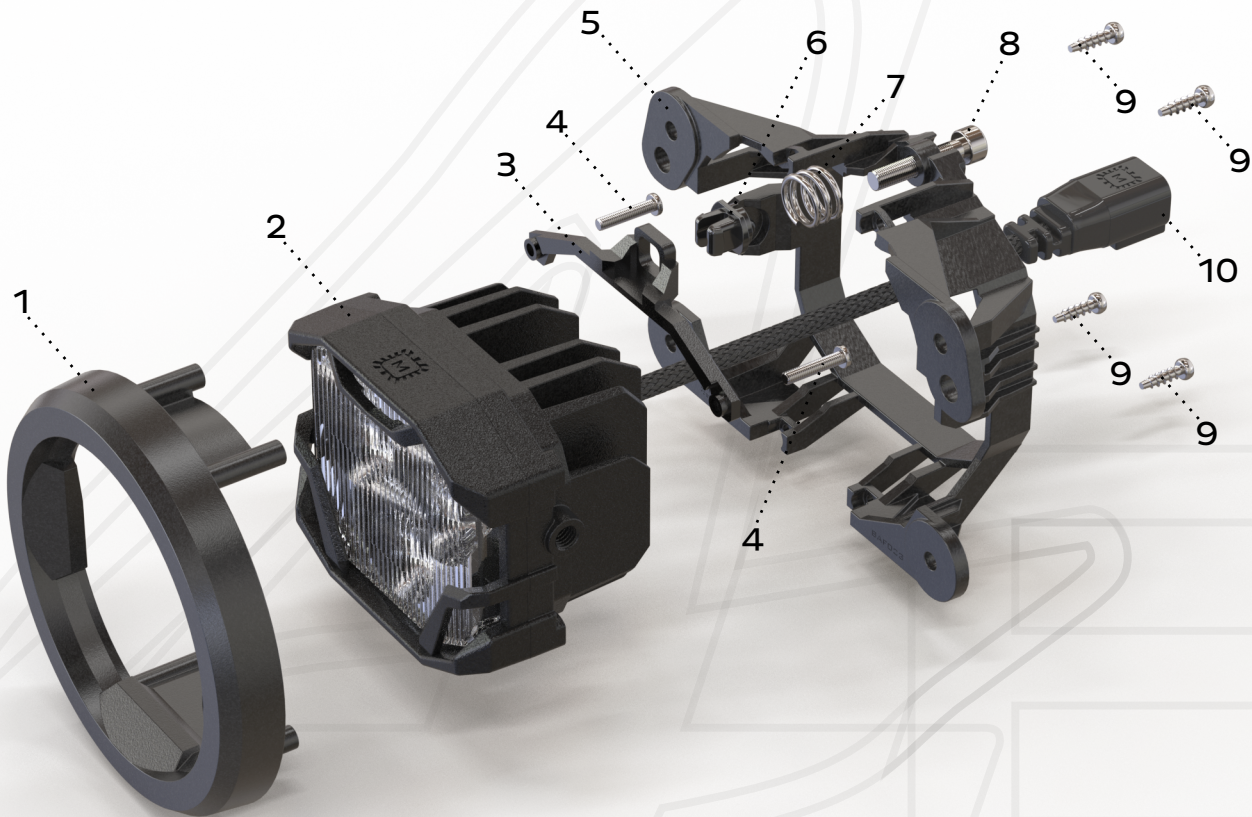




Type M Fog Light Bracket Assembly

Designed as a direct replacement for your original fog lights. For SAE compliance and minimal glare to oncoming traffic, we recommend using the NCS Wide Beam with a -3 Degree aim.



1. Type M Shroud
2. 4Banger Light Pod
3. Type S Adjuster
4. M5 x 25mm Stainless Steel Button Head Torx Screw
5. Type M Bracket
6. Threaded Square Adjuster Nut
7. Adjuster Spring
8. M5 x 25mm Stainless Steel Socket Head Screw
9. Stainless Steel Thread Forming Screw
10. Deutsch DT Input (Use DT to 5202 Adapter [Not Shown])